

Flewelling, Frederic  
Flewelling, Patsy A.  
PO BOX 398  
CROUSEVILLE ME 04738

Previous Owner  
Flewelling, Frederic N  
Flewelling, Patsy A  
PO BOX 398  
CROUSVILLE ME 04738  
Sale Date: 1/18/2023

Inspection Witnessed By:

No./Date	Description	Date Insp.
X		

Notes:  
\*1-18-2019 -15% for size obs. on Garage.

Washburn

Property Data			Assessment Record						
Neighborhood <b>1 Neighborhood One</b>			Year	Land	Buildings	Exempt	Total		
Tree Growth Year <b>0</b>			2012	3,700	12,200	0	15,900		
1ST MORTGAGE <b>0</b>			2013	4,800	12,200	0	17,000		
2ND MORTGAGE <b>0</b>			2015	4,800	12,200	0	17,000		
Zone/Land Use <b>1 Residential</b>			2018	4,800	12,200	0	17,000		
Secondary Zone			2019	7,300	25,500	0	32,800		
Topography <b>1 Level</b>			2020	7,300	25,500	0	32,800		
1.Level 4.Below St 7.LevelBog			2021	7,300	25,500	0	32,800		
2.Rolling 5.Low 8.			2022	7,300	26,700	0	34,000		
3.Above St 6.Swampy 9.			2023	8,900	31,400	0	40,300		
Utilities			2024	9,200	31,400	0	40,600		
1.Public 4.Dr Well 7.Cesspool									
2.Water 5.Dug Well 8.									
3.Sewer 6.Septic 9.None									
Street <b>1 Paved</b>									
1.Paved 4.Proposed 7.									
2.Semi Imp 5.R/O/W 8.									
3.Gravel 6. 9.None									
TG PLAN YEAR <b>0</b>									
Tif District # <b>0</b>									
Sale Data			<b>Land Data</b>						
Sale Date			<b>Front Foot</b>	<b>Type</b>	<b>Effective</b>		<b>Influence</b>		<b>Influence Codes</b>
Price					Frontage	Depth	Factor	Code	
Sale Type <b>2 Land &amp; Buildings</b>			11.Regular Lot					1.Unimproved	
1.Land 4.Mobile 7.C/I L&B			12.Delta Triangle					2.Excess Frtg	
2.L & B 5.Other 8.			13.Nabla Triangle					3.Topography	
3.Building 6.C/I Land 9.			14.Rear Land					4.Size/Shape	
Financing <b>9 Unknown</b>			15.Class I Road					5.Access	
1.Convent 4.Seller 7.								6.Restriction	
2.FHA/VA 5.Private 8.								7.Open Space	
3.Assumed 6.Cash 9.Unknown								8.View/Environ	
Validity <b>4 Split/Assemblage</b>								9.Fract Share	
1.Valid 4.Split 7.Renovate			<b>Square Foot</b>	<b>Square Feet</b>				<b>Acres</b>	
2.Related 5.Partial 8.Other			16.Class II Road					30.Utility R O W	
3.Distress 6.Exempt 9.			17.Municipal Rese					31.Tillable	
Verified <b>5 Public Record</b>			18.Munic Sep Lago					32.Pasture	
1.Buyer 4.Agent 7.Family			19.Gravel Pit					33.Orchard	
2.Seller 5.Pub Rec 8.Other			20.Industrial Bas					34.Softwood F&O	
3.Lender 6.MLS 9.								35.Mixed Wood F&O	
			<b>Fract. Acre</b>	<b>Acreege/Sites</b>				36.Hardwood F&O	
			21.Developed Pave	22	0.65	100	%	0	
			22.Undev Paved (F	40	4.11	100	%	0	
			23.Developed Grav						
			<b>Acres</b>						
			24.Undev Gravel (						
			25.Comm Base Pave						
			26.Comm Base Grav						
			27.Backlot						
			28.Rear Land						
			29.Pavement						
			<b>Total Acreage</b>			4.76			
								44.Lot Improvemen	
								45.Subdivision Lo	
								46.Heavy Ind Sit	

**Washburn**

Map Lot 016-001

Account 453

Location 447 Washburn Road

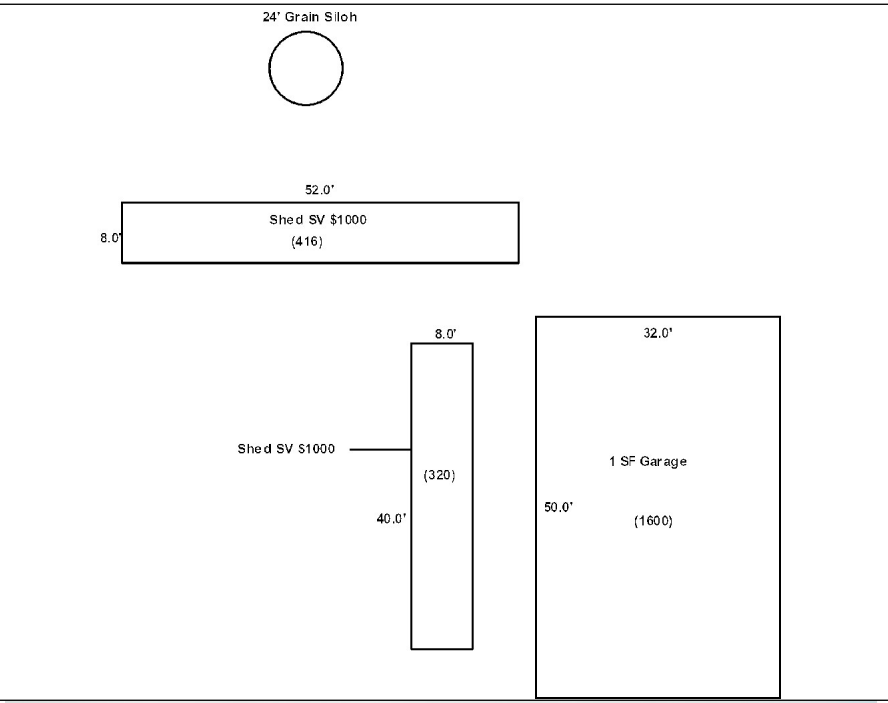
Card 1 Of 1 9/05/2024

Building Style <b>0</b>	SF Bsmt Living <b>0</b>	Layout <b>0</b>
1.Conv. 5.Garrison 9.Gambrel	Fin Bsmt Grade <b>0 0</b>	1.Typical 4. 7.
2.Ranch 6.Salt Box 10.Other	OPEN 5 OPTIONAL <b>0</b>	2.Inadeq 5. 8.
3.R Ranch 7.Contemp 11.Split	Heat Type <b>100% 0</b>	3.Poor 6. 9.
4.Cape 8.Log 12.	1.HWBB 5.FWA 9.No Heat	Attic <b>0</b>
Dwelling Units <b>0</b>	2.HWCI 6.GravWA 10.	1.1/4 Fin 4.Full Fin 7.
Other Units <b>0</b>	3.H Pump 7.Electric 11.	2.1/2 Fin 5.FI/Stair 8.
Stories <b>0</b>	4.Steam 8.FI/Wall 12.	3.3/4 Fin 6. 9.None
1.1 4.1.5 7.	Cool Type <b>0% 9 None</b>	Insulation <b>0</b>
2.2 5.1.75 8.	1.Refrig 4.W&C Air 7.	1.Full 4.Minimal 7.
3.3 6.2.5 9.	2.Evapor 5. 8.	2.Heavy 5.Partial 8.
Exterior Walls <b>0</b>	3.H Pump 6. 9.None	3.Capped 6. 9.None
1.Wood 5.Stucco 9.T-111	Kitchen Style <b>0</b>	Unfinished % <b>0%</b>
2.Vin/Al 6.Brick 10.Other	1.Modern 4.Obsolete 7.	Grade & Factor <b>0 0%</b>
3.Compos. 7.Stone 11.	2.Typical 5. 8.	1.E Grade 4.B Grade 7.
4.Asbestos 8.Concrete 12.	3.Old Type 6. 9.None	2.D Grade 5.A Grade 8.SC Grade
Roof Surface <b>0</b>	Bath(s) Style <b>0</b>	3.C Grade 6.AA Grade 9.Same
1.Asphalt 4.Composit 7.	1.Modern 4.Obsolete 7.	SQFT (Footprint) <b>0</b>
2.Slate 5.Wood 8.	2.Typical 5. 8.	Condition <b>0</b>
3.Metal 6.Other 9.	3.Old Type 6. 9.None	1.Poor 4.Avg 7.V G
SF Masonry Trim <b>0</b>	# Rooms <b>0</b>	2.Fair 5.Avg+ 8.Exc
OPEN-3-CUSTOM <b>0</b>	# Bedrooms <b>0</b>	3.Avg- 6.Good 9.Same
OPEN-4-CUSTOM <b>0</b>	# Full Baths <b>0</b>	Phys. % Good <b>0%</b>
Year Built <b>0</b>	# Half Baths <b>0</b>	Funct. % Good <b>100%</b>
Year Remodeled <b>0</b>	# Addn Fixtures <b>0</b>	Functional Code <b>9 None</b>
Foundation <b>0</b>	# Fireplaces <b>0</b>	1.Incomp 4.Delap 7.No Power
1.Concrete 4.Wood 7.		2.O-Built 5.Bsmt 8.LongTerm
2.C Block 5.Slab 8.		3.Damage 6.Common 9.None
3.Br/Stone 6.Piers 9.		Econ. % Good <b>100%</b>
Basement <b>0</b>		Economic Code <b>None</b>
1.1/4 Bmt 4.Full Bmt 7.		0.None 3.No Power 7.
2.1/2 Bmt 5.None 8.		1.Location 4.Generate 8.
3.3/4 Bmt 6. 9.None		2.Encroach 9.None 9.
Bsmt Gar # Cars <b>0</b>		Entrance Code <b>5 Estimated</b>
Wet Basement <b>0</b>		1.Interior 4.Vacant 7.
1.Dry 4. 7.		2.Refusal 5.Estimate 8.
2.Damp 5. 8.		3.Informed 6.Reviewed 9.
3.Wet 6. 9.		Information Code <b>5 Estimate</b>
		1.Owner 4.Agent 7.
		2.Relative 5.Estimate 8.
		3.Tenant 6.Other 9.

Date Inspected 10/07/2018

**Additions, Outbuildings & Improvements**

Type	Year	Units	Grade	Cond	Phys.	Funct.	Sound Value
23 Frame Garage	1960	1600	3 100	4	0 %	85 %	
24 Frame Shed	0				%	%	1,000
24 Frame Shed	0				%	%	1,000
505 Silo 20 Base/Hi	1990	24	3 100	4	0 %	100 %	
					%	%	
					%	%	
					%	%	
					%	%	
					%	%	
					%	%	
					%	%	



BLACKSTONE, DALE R  
BLACKSTONE, CYNTHIA MN  
7 HATCH DRIVE #260  
CARIBOU ME 04736

B4644P207

Inspection Witnessed By:

No./Date	Description	Date Insp.
X		

Notes:

Washburn

Property Data			Assessment Record						
Neighborhood <b>1 Neighborhood One</b>			Year	Land	Buildings	Exempt	Total		
Tree Growth Year <b>0</b>			2012	4,600	67,100	8,800	62,900		
1ST MORTGAGE <b>0</b>			2013	6,000	67,100	8,800	64,300		
2ND MORTGAGE <b>0</b>			2015	6,000	67,100	9,000	64,100		
Zone/Land Use <b>1 Residential</b>			2018	6,000	71,500	18,400	59,100		
Secondary Zone			2019	11,700	90,800	20,000	82,500		
Topography <b>1 Level</b>			2020	11,700	90,700	25,000	77,400		
1.Level 4.Below St 7.LevelBog			2021	11,700	90,800	25,000	77,500		
2.Rolling 5.Low 8.			2022	11,700	95,300	25,000	82,000		
3.Above St 6.Swampy 9.			2023	15,600	113,200	25,000	103,800		
Utilities <b>4 Drilled Well 6 Septic System</b>			2024	15,600	113,200	25,000	103,800		
1.Public 4.Dr Well 7.Cesspool									
2.Water 5.Dug Well 8.									
3.Sewer 6.Septic 9.None									
Street <b>1 Paved</b>									
1.Paved 4.Proposed 7.									
2.Semi Imp 5.R/O/W 8.									
3.Gravel 6. 9.None									
TG PLAN YEAR <b>0</b>									
Tif District # <b>0</b>									
Sale Data			<b>Land Data</b>						
Sale Date <b>4/26/1986</b>			<b>Front Foot</b>	<b>Type</b>	<b>Effective</b>		<b>Influence</b>		<b>Influence Codes</b>
Price					Frontage	Depth	Factor	Code	
Sale Type <b>2 Land &amp; Buildings</b>			11.Regular Lot					1.Unimproved	
1.Land 4.Mobile 7.C/I L&B			12.Delta Triangle					2.Excess Frtg	
2.L & B 5.Other 8.			13.Nabla Triangle					3.Topography	
3.Building 6.C/I Land 9.			14.Rear Land					4.Size/Shape	
Financing <b>1 Conventional</b>			15.Class I Road					5.Access	
1.Convent 4.Seller 7.								6.Restriction	
2.FHA/VA 5.Private 8.								7.Open Space	
3.Assumed 6.Cash 9.Unknown								8.View/Environ	
Validity <b>1 Arms Length Sale</b>								9.Fract Share	
1.Valid 4.Split 7.Renovate			<b>Square Foot</b>	<b>Square Feet</b>				<b>Acres</b>	
2.Related 5.Partial 8.Other			16.Class II Road					30.Utility R O W	
3.Distress 6.Exempt 9.			17.Municipal Rese					31.Tillable	
Verified <b>5 Public Record</b>			18.Munic Sep Lago					32.Pasture	
1.Buyer 4.Agent 7.Family			19.Gravel Pit					33.Orchard	
2.Seller 5.Pub Rec 8.Other			20.Industrial Bas					34.Softwood F&O	
3.Lender 6.MLS 9.			<b>Fract. Acre</b>	<b>Acres/Sites</b>				35.Mixed Wood F&O	
			21.Developed Pave	21	0.50	100	%	0	
			22.Undev Paved (F					36.Hardwood F&O	
			23.Developed Grav					37.Softwood TG	
			<b>Acres</b>					38.Mixed Wood TG	
			24.Undev Gravel (					39.Hardwood TG	
			25.Comm Base Pave					40.Wasteland	
			26.Comm Base Grav					41.Open Space	
			27.Backlot					42.Mobile Home Si	
			28.Rear Land					43.Condo Site	
			29.Pavement					44.Lot Improvemen	
				<b>Total Acreage</b>		0.50		45.Subdivision Lo	
								46.Heavy Ind Sit	

## Washburn

Map Lot 016-002

Account 145

Location 445 WASHBURN ROAD

Card 1

Of 1

9/05/2024

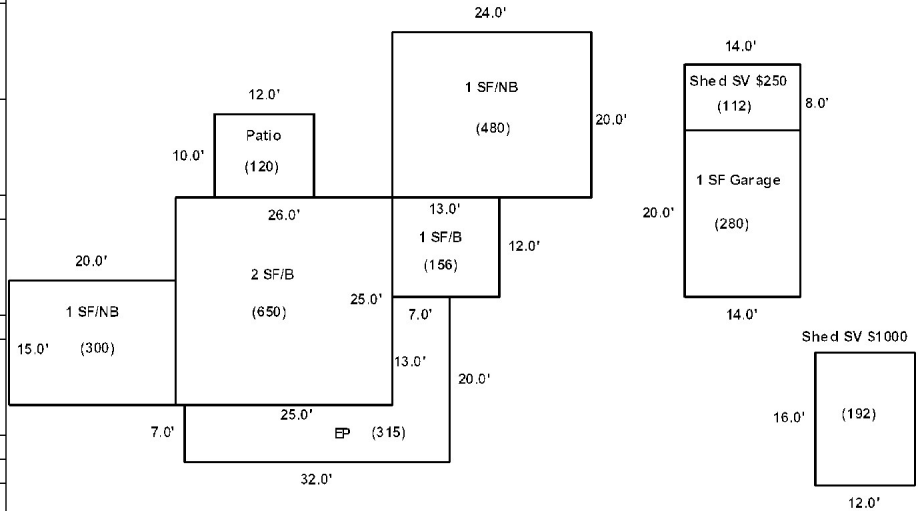
Building Style <b>4 Cape Cod</b>	SF Bsmt Living <b>0</b>	Layout <b>1 Typical</b>
1.Conv. 5.Garrison 9.Gambrel	Fin Bsmt Grade <b>0 0</b>	1.Typical 4. 7.
2.Ranch 6.Salt Box 10.Other	OPEN 5 OPTIONAL <b>0</b>	2.Inadeq 5. 8.
3.R Ranch 7.Contemp 11.Split	Heat Type <b>100% 5 Forced Warm Air</b>	3.Poor 6. 9.
4.Cape 8.Log 12.	1.HWBB 5.FWA 9.No Heat	Attic <b>9 None</b>
Dwelling Units <b>1</b>	2.HWCI 6.GravWA 10.	1.1/4 Fin 4.Full Fin 7.
Other Units <b>0</b>	3.H Pump 7.Electric 11.	2.1/2 Fin 5.FI/Stair 8.
Stories <b>4 One &amp; 1/2 Story</b>	4.Steam 8.FI/Wall 12.	3.3/4 Fin 6. 9.None
1.1 4.1.5 7.	Cool Type <b>0% 9 None</b>	Insulation <b>1 Full</b>
2.2 5.1.75 8.	1.Refrig 4.W&C Air 7.	1.Full 4.Minimal 7.
3.3 6.2.5 9.	2.Evapor 5. 8.	2.Heavy 5.Partial 8.
Exterior Walls <b>2 Vinyl/Aluminum</b>	3.H Pump 6. 9.None	3.Capped 6. 9.None
1.Wood 5.Stucco 9.T-111	Kitchen Style <b>2 Typical</b>	Unfinished % <b>0%</b>
2.Vin/Al 6.Brick 10.Other	1.Modern 4.Obsolete 7.	Grade & Factor <b>3 Average 90%</b>
3.Compos. 7.Stone 11.	2.Typical 5. 8.	1.E Grade 4.B Grade 7.
4.Asbestos 8.Concrete 12.	3.Old Type 6. 9.None	2.D Grade 5.A Grade 8.SC Grade
Roof Surface <b>1 Asphalt Shingles</b>	Bath(s) Style <b>2 Typical Bath(s)</b>	3.C Grade 6.AA Grade 9.Same
1.Asphalt 4.Composit 7.	1.Modern 4.Obsolete 7.	SQFT (Footprint) <b>650</b>
2.Slate 5.Wood 8.	2.Typical 5. 8.	Condition <b>5 Above Average</b>
3.Metal 6.Other 9.	3.Old Type 6. 9.None	1.Poor 4.Avg 7.V G
SF Masonry Trim <b>0</b>	# Rooms <b>7</b>	2.Fair 5.Avg+ 8.Exc
OPEN-3-CUSTOM <b>0</b>	# Bedrooms <b>3</b>	3.Avg- 6.Good 9.Same
OPEN-4-CUSTOM <b>0</b>	# Full Baths <b>2</b>	Phys. % Good <b>0%</b>
Year Built <b>1940</b>	# Half Baths <b>1</b>	Funct. % Good <b>100%</b>
Year Remodeled <b>0</b>	# Addn Fixtures <b>0</b>	Functional Code <b>9 None</b>
Foundation <b>1 Concrete</b>	# Fireplaces <b>1</b>	1.Incomp 4.Delap 7.No Power
1.Concrete 4.Wood 7.		2.O-Built 5.Bsmt 8.LongTerm
2.C Block 5.Slab 8.		3.Damage 6.Common 9.None
3.Br/Stone 6.Piers 9.		Econ. % Good <b>100%</b>
Basement <b>3 3/4 Basement</b>		Economic Code <b>None</b>
1.1/4 Bmt 4.Full Bmt 7.		0.None 3.No Power 7.
2.1/2 Bmt 5.None 8.		1.Location 4.Generate 8.
3.3/4 Bmt 6. 9.None		2.Encroach 9.None 9.
Bsmt Gar # Cars <b>0</b>		Entrance Code <b>1 Interior Inspect</b>
Wet Basement <b>3 Wet Basement</b>		1.Interior 4.Vacant 7.
1.Dry 4. 7.		2.Refusal 5.Estimate 8.
2.Damp 5. 8.		3.Informed 6.Reviewed 9.
3.Wet 6. 9.		Information Code <b>1 Owner</b>
		1.Owner 4.Agent 7.
		2.Relative 5.Estimate 8.
		3.Tenant 6.Other 9.



Date Inspected 10/07/2018

### Additions, Outbuildings & Improvements

Type	Year	Units	Grade	Cond	Phys.	Funct.	Sound Value
1 One Story Frame	1960	300	3 95	4	0 %	100 %	
22 Encl Frame Porch	1960	315	3 100	4	0 %	100 %	
20 1 Story/Bsmt	1960	156	3 100	5	0 %	100 %	
1 One Story Frame	1960	480	3 95	4	0 %	100 %	
62 Patio	1960	120	2 100	2	0 %	100 %	
23 Frame Garage	1978	280	3 95	4	0 %	100 %	
24 Frame Shed	0				%	%	250
24 Frame Shed	0				%	%	1,000
					%	%	
					%	%	



LIBBY, DEREK  
437 WASHBURN ROAD  
WASHBURN ME 04786

B6189P46

Previous Owner  
LIBBY, ARDIS D  
C/O DEREK LIBBY  
437 WASHBURN ROAD  
WASHBURN ME 04738  
Sale Date: 7/01/2021

Inspection Witnessed By:

X	Date	Description	Date Insp.

Notes:  
\*5-10-2019 -20% for attached shed.

**Washburn**

Property Data			Assessment Record						
Neighborhood <b>1 Neighborhood One</b>			Year	Land	Buildings	Exempt	Total		
Tree Growth Year <b>0</b>			2012	5,000	44,600	14,080	35,520		
1ST MORTGAGE <b>0</b>			2013	6,500	44,600	14,080	37,020		
2ND MORTGAGE <b>0</b>			2015	6,500	44,600	14,400	36,700		
Zone/Land Use <b>1 Residential</b>			2018	6,500	46,900	23,920	29,480		
Secondary Zone			2019	18,400	67,200	26,000	59,600		
Topography <b>1 Level</b>			2020	18,400	67,200	31,000	54,600		
1.Level 4.Below St 7.LevelBog			2021	18,400	67,200	0	85,600		
2.Rolling 5.Low 8.			2022	18,400	70,400	0	88,800		
3.Above St 6.Swampy 9.			2023	22,700	83,200	25,000	80,900		
Utilities <b>4 Drilled Well 6 Septic System</b>			2024	22,700	83,200	25,000	80,900		
1.Public 4.Dr Well 7.Cesspool									
2.Water 5.Dug Well 8.									
3.Sewer 6.Septic 9.None									
Street <b>1 Paved</b>									
1.Paved 4.Proposed 7.									
2.Semi Imp 5.R/O/W 8.									
3.Gravel 6. 9.None									
TG PLAN YEAR <b>0</b>									
Tif District # <b>0</b>									
Sale Data			<b>Land Data</b>						
Sale Date <b>7/01/2021</b>			<b>Front Foot</b>	<b>Type</b>	<b>Effective</b>		<b>Influence</b>		<b>Influence Codes</b>
Price					Frontage	Depth	Factor	Code	
Sale Type <b>2 Land &amp; Buildings</b>			11.Regular Lot					1.Unimproved	
1.Land 4.Mobile 7.C/I L&B			12.Delta Triangle					2.Excess Frtg	
2.L & B 5.Other 8.			13.Nabla Triangle					3.Topography	
3.Building 6.C/I Land 9.			14.Rear Land					4.Size/Shape	
Financing <b>1 Conventional</b>			15.Class I Road					5.Access	
1.Convent 4.Seller 7.								6.Restriction	
2.FHA/VA 5.Private 8.								7.Open Space	
3.Assumed 6.Cash 9.Unknown								8.View/Environ	
Validity <b>2 Related Parties</b>								9.Fract Share	
1.Valid 4.Split 7.Renovate			<b>Square Foot</b>	<b>Square Feet</b>				<b>Acres</b>	
2.Related 5.Partial 8.Other			16.Class II Road	29	3,000	75	0	30.Utility R O W	
3.Distress 6.Exempt 9.			17.Municipal Rese					31.Tillable	
Verified <b>5 Public Record</b>			18.Munic Sep Lago					32.Pasture	
1.Buyer 4.Agent 7.Family			19.Gravel Pit					33.Orchard	
2.Seller 5.Pub Rec 8.Other			20.Industrial Bas					34.Softwood F&O	
3.Lender 6.MLS 9.								35.Mixed Wood F&O	
			<b>Fract. Acre</b>	<b>Acreege/Sites</b>				36.Hardwood F&O	
			21.Developed Pave	21	0.60	100	0	37.Softwood TG	
			22.Undev Paved (F					38.Mixed Wood TG	
			23.Developed Grav					39.Hardwood TG	
			<b>Acres</b>					40.Wasteland	
			24.Undev Gravel (					41.Open Space	
			25.Comm Base Pave					42.Mobile Home Si	
			26.Comm Base Grav					43.Condo Site	
			27.Backlot					44.Lot Improvemen	
			28.Rear Land					45.Subdivision Lo	
			29.Pavement	<b>Total Acreege</b>		0.60		46.Heavy Ind Sit	




## Washburn

Map Lot 016-003

Account 697

Location 437 WASHBURN ROAD

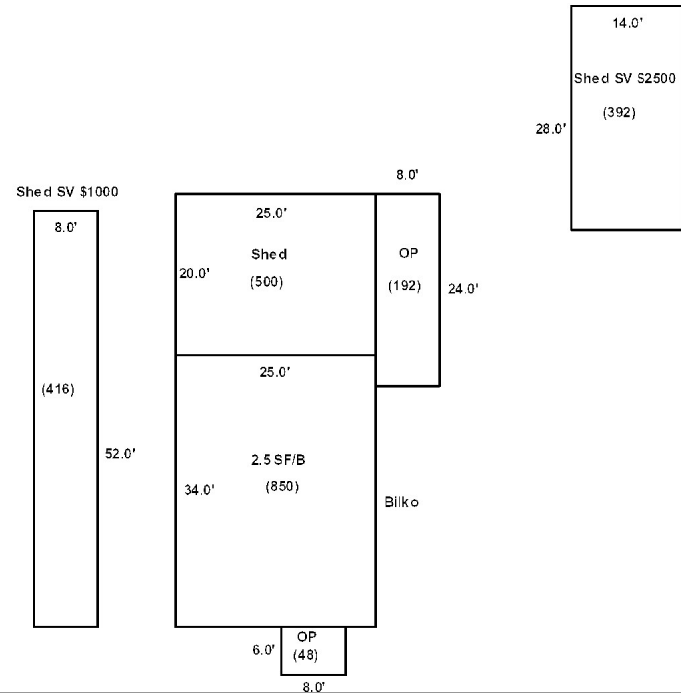
Card 1 Of 1 9/05/2024

Building Style	<b>4 Cape Cod</b>	SF Bsmt Living	<b>0</b>	Layout	<b>1 Typical</b>
1.Conv.	5.Garrison	9.Gambrel	Fin Bsmt Grade	<b>0 0</b>	1.Typical
2.Ranch	6.Salt Box	10.Other	OPEN 5 OPTIONAL	<b>0</b>	2.Inadeq
3.R Ranch	7.Contemp	11.Split	Heat Type	<b>100%</b>	<b>1 Hot Water BB</b>
4.Cape	8.Log	12.	1.HWBB	5.FWA	9.No Heat
Dwelling Units	<b>2</b>		2.HWCI	6.GravWA	10.
Other Units	<b>0</b>		3.H Pump	7.Electric	11.
Stories	<b>6 Two &amp; 1/2 Story</b>		4.Steam	8.Fi/Wall	12.
1.1	4.1.5	7.	Cool Type	<b>0%</b>	<b>9 None</b>
2.2	5.1.75	8.	1.Refrig	4.W&C Air	7.
3.3	6.2.5	9.	2.Evapor	5.	8.
Exterior Walls	<b>2 Vinyl/Aluminum</b>		3.H Pump	6.	9.None
1.Wood	5.Stucco	9.T-111	Kitchen Style	<b>2 Typical</b>	
2.Vin/Al	6.Brick	10.Other	1.Modern	4.Obsolete	7.
3.Compos.	7.Stone	11.	2.Typical	5.	8.
4.Asbestos	8.Concrete	12.	3.Old Type	6.	9.None
Roof Surface	<b>3 Sheet Metal</b>		Bath(s) Style	<b>2 Typical Bath(s)</b>	
1.Asphalt	4.Composit	7.	1.Modern	4.Obsolete	7.
2.Slate	5.Wood	8.	2.Typical	5.	8.
3.Metal	6.Other	9.	3.Old Type	6.	9.None
SF Masonry Trim	<b>0</b>		# Rooms	<b>8</b>	
OPEN-3-CUSTOM	<b>0</b>		# Bedrooms	<b>5</b>	
OPEN-4-CUSTOM	<b>0</b>		# Full Baths	<b>2</b>	
Year Built	<b>1920</b>		# Half Baths	<b>1</b>	
Year Remodeled	<b>0</b>		# Addn Fixtures	<b>1</b>	
Foundation	<b>2 Concrete Block</b>		# Fireplaces	<b>0</b>	
1.Concrete	4.Wood	7.			
2.C Block	5.Slab	8.			
3.Br/Stone	6.Piers	9.			
Basement	<b>3 3/4 Basement</b>				
1.1/4 Bmt	4.Full Bmt	7.			
2.1/2 Bmt	5.None	8.			
3.3/4 Bmt	6.	9.None			
Bsmt Gar # Cars	<b>0</b>				
Wet Basement	<b>3 Wet Basement</b>				
1.Dry	4.	7.			
2.Damp	5.	8.			
3.Wet	6.	9.			

Date Inspected 10/07/2018

### Additions, Outbuildings & Improvements

Type	Year	Units	Grade	Cond	Phys.	Funct.	Sound Value
21 Open Frame	2000	48	3 95	3	0 %	100 %	
21 Open Frame	1980	192	3 95	3	0 %	100 %	
24 Frame Shed	1920	500	2 100	3	0 %	80 %	
24 Frame Shed	0				%	%	2,500
24 Frame Shed	0				%	%	1,000
					%	%	
					%	%	
					%	%	
					%	%	
					%	%	
					%	%	



JOHNSON, RASHID C  
 ENGBRETSON, AMY T.  
 4 FLEWELLING DRIVE  
 WASHBURN ME 04786

B6028P326

Previous Owner  
 USA ACTING THRU THE RURAL H  
 FKA FHA  
 4300 GOODFELLOW BLVD  
 ST LOUIS MO 63120  
 Sale Date: 6/19/2020

Previous Owner  
 COLON, NORBERTO JR.  
 COLON, MELLISA D.  
 4 FLEWELLING DRIVE  
 WASHBURN ME 04786  
 Sale Date: 10/10/2019

Previous Owner  
 Drost, Judy  
 P.O. Box 382

Crouseville ME 04738  
 Sale Date: 11/15/2007

Inspection Witnessed By:

X	Date
No./Date	Description
	Date Insp.

Notes:  
 \*5-10-2019 -15% for attached garage.  
 New Septic Installed Fall of 2019

**Washburn**

Property Data			Assessment Record						
Neighborhood <b>1 Neighborhood One</b>			Year	Land	Buildings	Exempt	Total		
Tree Growth Year <b>0</b>			2012	3,500	40,100	8,800	34,800		
1ST MORTGAGE <b>0</b>			2013	4,600	55,100	8,800	50,900		
2ND MORTGAGE <b>0</b>			2015	4,600	55,100	9,000	50,700		
Zone/Land Use <b>1 Residential</b>			2018	4,600	55,100	18,400	41,300		
Secondary Zone			2019	11,300	64,900	0	76,200		
Topography <b>1 Level</b>			2020	11,300	64,800	0	76,100		
1.Level 4.Below St 7.LevelBog			2021	11,300	64,900	0	76,200		
2.Rolling 5.Low 8.			2022	11,300	68,200	25,000	54,500		
3.Above St 6.Swampy 9.			2023	14,300	81,100	25,000	70,400		
Utilities <b>4 Drilled Well 6 Septic System</b>			2024	14,300	81,100	25,000	70,400		
1.Public 4.Dr Well 7.Cesspool									
2.Water 5.Dug Well 8.									
3.Sewer 6.Septic 9.None									
Street <b>2 Semi-Improved</b>									
1.Paved 4.Proposed 7.									
2.Semi Imp 5.R/O/W 8.									
3.Gravel 6. 9.None									
TG PLAN YEAR <b>0</b>									
Tif District # <b>0</b>									
Sale Data			<b>Land Data</b>						
Sale Date <b>6/19/2020</b>			<b>Front Foot</b>	<b>Type</b>	<b>Effective</b>		<b>Influence</b>		<b>Influence Codes</b>
Price <b>15,000</b>					Frontage	Depth	Factor	Code	
Sale Type <b>2 Land &amp; Buildings</b>			11.Regular Lot					1.Unimproved	
1.Land 4.Mobile 7.C/I L&B			12.Delta Triangle					2.Excess Frtg	
2.L & B 5.Other 8.			13.Nabla Triangle					3.Topography	
3.Building 6.C/I Land 9.			14.Rear Land					4.Size/Shape	
Financing <b>9 Unknown</b>			15.Class I Road					5.Access	
1.Convent 4.Seller 7.								6.Restriction	
2.FHA/VA 5.Private 8.								7.Open Space	
3.Assumed 6.Cash 9.Unknown								8.View/Environ	
Validity <b>3 Distressed Sale</b>								9.Fract Share	
1.Valid 4.Split 7.Renovate			<b>Square Foot</b>	<b>Square Feet</b>				<b>Acres</b>	
2.Related 5.Partial 8.Other			16.Class II Road	29	1,200	75	%	0	
3.Distress 6.Exempt 9.			17.Municipal Rese					30.Utility R O W	
Verified <b>5 Public Record</b>			18.Munic Sep Lago					31.Tillable	
1.Buyer 4.Agent 7.Family			19.Gravel Pit					32.Pasture	
2.Seller 5.Pub Rec 8.Other			20.Industrial Bas					33.Orchard	
3.Lender 6.MLS 9.								34.Softwood F&O	
			<b>Fract. Acre</b>	<b>Acreege/Sites</b>				35.Mixed Wood F&O	
			21.Developed Pave	21	0.30	100	%	0	
			22.Undev Paved (F					36.Hardwood F&O	
			23.Developed Grav					37.Softwood TG	
			<b>Acres</b>					38.Mixed Wood TG	
			24.Undev Gravel (					39.Hardwood TG	
			25.Comm Base Pave					40.Wasteland	
			26.Comm Base Grav					41.Open Space	
			27.Backlot					42.Mobile Home Si	
			28.Rear Land					43.Condo Site	
			29.Pavement					44.Lot Improvemen	
				<b>Total Acreage</b>		0.30		45.Subdivision Lo	
								46.Heavy Ind Sit	

## Washburn

Map Lot 016-004

Account 648

Location 4 FLEWELLING DRIVE

Card 1

Of 1

9/05/2024

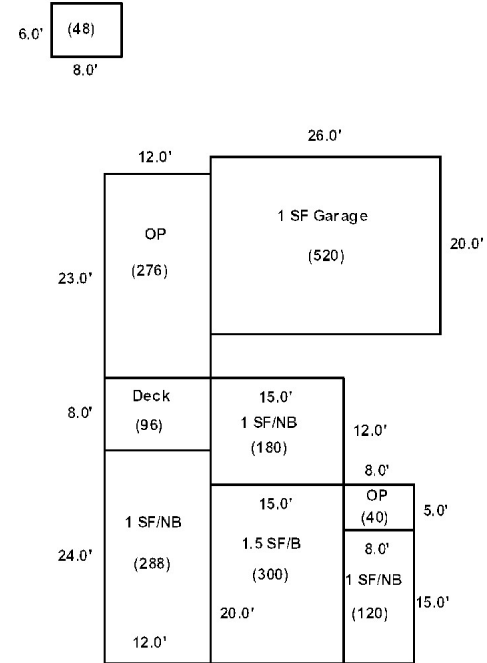
Building Style <b>4 Cape Cod</b>	SF Bsmt Living <b>0</b>	Layout <b>1 Typical</b>
1.Conv. 5.Garrison 9.Gambrel	Fin Bsmt Grade <b>0 0</b>	1.Typical 4. 7.
2.Ranch 6.Salt Box 10.Other	OPEN 5 OPTIONAL <b>0</b>	2.Inadeq 5. 8.
3.R Ranch 7.Contemp 11.Split	Heat Type <b>100% 5 Forced Warm Air</b>	3.Poor 6. 9.
4.Cape 8.Log 12.	1.HWBB 5.FWA 9.No Heat	Attic <b>9 None</b>
Dwelling Units <b>1</b>	2.HWCI 6.GravWA 10.	1.1/4 Fin 4.Full Fin 7.
Other Units <b>0</b>	3.H Pump 7.Electric 11.	2.1/2 Fin 5.F/ Stair 8.
Stories <b>4 One &amp; 1/2 Story</b>	4.Steam 8.F/ Wall 12.	3.3/4 Fin 6. 9.None
1.1 4.1.5 7.	Cool Type <b>0% 9 None</b>	Insulation <b>1 Full</b>
2.2 5.1.75 8.	1.Refrig 4.W&C Air 7.	1.Full 4.Minimal 7.
3.3 6.2.5 9.	2.Evapor 5. 8.	2.Heavy 5.Partial 8.
Exterior Walls <b>3 Composition</b>	3.H Pump 6. 9.None	3.Capped 6. 9.None
1.Wood 5.Stucco 9.T-111	Kitchen Style <b>2 Typical</b>	Unfinished % <b>0%</b>
2.Vin/Al 6.Brick 10.Other	1.Modern 4.Obsolete 7.	Grade & Factor <b>3 Average 100%</b>
3.Compos. 7.Stone 11.	2.Typical 5. 8.	1.E Grade 4.B Grade 7.
4.Asbestos 8.Concrete 12.	3.Old Type 6. 9.None	2.D Grade 5.A Grade 8.SC Grade
Roof Surface <b>3 Sheet Metal</b>	Bath(s) Style <b>2 Typical Bath(s)</b>	3.C Grade 6.AA Grade 9.Same
1.Asphalt 4.Composit 7.	1.Modern 4.Obsolete 7.	SQFT (Footprint) <b>300</b>
2.Slate 5.Wood 8.	2.Typical 5. 8.	Condition <b>5 Above Average</b>
3.Metal 6.Other 9.	3.Old Type 6. 9.None	1.Poor 4.Avg 7.V G
SF Masonry Trim <b>0</b>	# Rooms <b>5</b>	2.Fair 5.Avg+ 8.Exc
OPEN-3-CUSTOM <b>0</b>	# Bedrooms <b>3</b>	3.Avg- 6.Good 9.Same
OPEN-4-CUSTOM <b>0</b>	# Full Baths <b>1</b>	Phys. % Good <b>0%</b>
Year Built <b>1950</b>	# Half Baths <b>1</b>	Funct. % Good <b>100%</b>
Year Remodeled <b>0</b>	# Addn Fixtures <b>0</b>	Functional Code <b>9 None</b>
Foundation <b>1 Concrete</b>	# Fireplaces <b>0</b>	1.Incomp 4.Delap 7.No Power
1.Concrete 4.Wood 7.	 <p><b>TRIO</b> Software <i>A Division of Harris Computer Systems</i></p>	2.O-Built 5.Bsmt 8.LongTerm
2.C Block 5.Slab 8.		3.Damage 6.Common 9.None
3.Br/Stone 6.Piers 9.		Econ. % Good <b>100%</b>
Basement <b>3 3/4 Basement</b>		Economic Code <b>None</b>
1.1/4 Bmt 4.Full Bmt 7.		0.None 3.No Power 7.
2.1/2 Bmt 5.None 8.		1.Location 4.Generate 8.
3.3/4 Bmt 6. 9.None		2.Encroach 9.None 9.
Bsmt Gar # Cars <b>0</b>		Entrance Code <b>5 Estimated</b>
Wet Basement <b>1 Dry Basement</b>		1.Interior 4.Vacant 7.
1.Dry 4. 7.		2.Refusal 5.Estimate 8.
2.Damp 5. 8.	3.Informed 6.Reviewed 9.	
3.Wet 6. 9.	Information Code <b>5 Estimate</b>	
	1.Owner 4.Agent 7.	
	2.Relative 5.Estimate 8.	
	3.Tenant 6.Other 9.	

Date Inspected 10/07/2018

### Additions, Outbuildings & Improvements

Type	Year	Units	Grade	Cond	Phys.	Funct.	Sound Value
1 One Story Frame	1950	120	3 90	5	0 %	100 %	
21 Open Frame	1950	40	3 100	2	0 %	100 %	
1 One Story Frame	1950	180	3 90	5	0 %	100 %	
1 One Story Frame	1950	288	3 90	5	0 %	100 %	
68 Wood Deck	1980	96	3 95	2	0 %	100 %	
21 Open Frame	1980	276	3 95	2	0 %	100 %	
23 Frame Garage	1950	520	3 95	4	0 %	85 %	
24 Frame Shed	0						150

Shed SV \$150







# Washburn

Map Lot 016-005

Account 841

Location 24 FLEWELLING DRIVE

Card 1

Of 1

9/05/2024

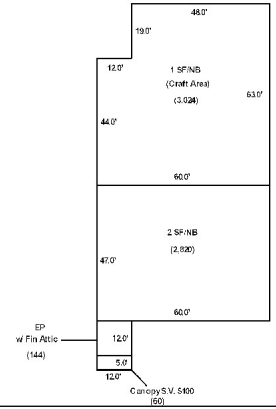
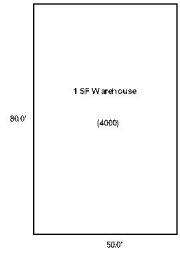
Building Style <b>1 Conventional</b>	SF Bsmt Living <b>0</b>	Layout <b>1 Typical</b>
1.Conv. 5.Garrison 9.Gambrel	Fin Bsmt Grade <b>0 0</b>	1.Typical 4. 7.
2.Ranch 6.Salt Box 10.Other	OPEN 5 OPTIONAL <b>0</b>	2.Inadeq 5. 8.
3.R Ranch 7.Contemp 11.Split	Heat Type <b>100% 1 Hot Water BB</b>	3.Poor 6. 9.
4.Cape 8.Log 12.	1.HWBB 5.FWA 9.No Heat	Attic <b>9 None</b>
Dwelling Units <b>1</b>	2.HWCI 6.GravWA 10.	1.1/4 Fin 4.Full Fin 7.
Other Units <b>0</b>	3.H Pump 7.Electric 11.	2.1/2 Fin 5.F/Stair 8.
Stories <b>2 Two Story</b>	4.Steam 8.F/Wall 12.	3.3/4 Fin 6. 9.None
1.1 4.1.5 7.	Cool Type <b>0% 9 None</b>	Insulation <b>1 Full</b>
2.2 5.1.75 8.	1.Refrig 4.W&C Air 7.	1.Full 4.Minimal 7.
3.3 6.2.5 9.	2.Evapor 5. 8.	2.Heavy 5.Partial 8.
Exterior Walls <b>10 Other</b>	3.H Pump 6. 9.None	3.Capped 6. 9.None
1.Wood 5.Stucco 9.T-111	Kitchen Style <b>2 Typical</b>	Unfinished % <b>0%</b>
2.Vin/Al 6.Brick 10.Other	1.Modern 4.Obsolete 7.	Grade & Factor <b>3 Average 100%</b>
3.Compos. 7.Stone 11.	2.Typical 5. 8.	1.E Grade 4.B Grade 7.
4.Asbestos 8.Concrete 12.	3.Old Type 6. 9.None	2.D Grade 5.A Grade 8.SC Grade
Roof Surface <b>3 Sheet Metal</b>	Bath(s) Style <b>2 Typical Bath(s)</b>	3.C Grade 6.AA Grade 9.Same
1.Asphalt 4.Composit 7.	1.Modern 4.Obsolete 7.	SQFT (Footprint) <b>2820</b>
2.Slate 5.Wood 8.	2.Typical 5. 8.	Condition <b>5 Above Average</b>
3.Metal 6.Other 9.	3.Old Type 6. 9.None	1.Poor 4.Avg 7.V G
SF Masonry Trim <b>0</b>	# Rooms <b>6</b>	2.Fair 5.Avg+ 8.Exc
OPEN-3-CUSTOM <b>0</b>	# Bedrooms <b>3</b>	3.Avg- 6.Good 9.Same
OPEN-4-CUSTOM <b>0</b>	# Full Baths <b>3</b>	Phys. % Good <b>0%</b>
Year Built <b>1970</b>	# Half Baths <b>0</b>	Funct. % Good <b>100%</b>
Year Remodeled <b>2018</b>	# Addn Fixtures <b>0</b>	Functional Code <b>9 None</b>
Foundation <b>5 Concrete Slab</b>	# Fireplaces <b>0</b>	1.Incomp 4.Delap 7.No Power
1.Concrete 4.Wood 7.	 <p><b>TRIO</b> Software A Division of Harris Computer Systems</p>	2.O-Built 5.Bsmt 8.LongTerm
2.C Block 5.Slab 8.		3.Damage 6.Common 9.None
3.Br/Stone 6.Piers 9.		Econ. % Good <b>100%</b>
Basement <b>9 No Basement</b>		Economic Code <b>None</b>
1.1/4 Bmt 4.Full Bmt 7.		0.None 3.No Power 7.
2.1/2 Bmt 5.None 8.		1.Location 4.Generate 8.
3.3/4 Bmt 6. 9.None		2.Encroach 9.None 9.
Bsmt Gar # Cars <b>0</b>		Entrance Code <b>3 Information Only</b>
Wet Basement <b>9 No Basement</b>		1.Interior 4.Vacant 7.
1.Dry 4. 7.		2.Refusal 5.Estimate 8.
2.Damp 5. 8.	3.Informed 6.Reviewed 9.	
3.Wet 6. 9.	Information Code <b>1 Owner</b>	
		1.Owner 4.Agent 7.
		2.Relative 5.Estimate 8.
		3.Tenant 6.Other 9.

Date Inspected 7/01/2020

### Additions, Outbuildings & Improvements

Type	Year	Units	Grade	Cond	Phys.	Funct.	Sound Value
222 1S-Warehouse Ave	1970	4000	3 100	4	0 %	50 %	
1 One Story Frame	1970	3024	3 100	5	0 %	100 %	
61 Canopy	0				%	%	100
22 Encl Frame Porch	2019	144	3 100	4	0 %	100 %	
29 Finished Attic	2019	144	3 100	4	0 %	100 %	
					%	%	
					%	%	
					%	%	
					%	%	
					%	%	

- 1.One Story Fram
- 2.Two Story Fram
- 3.Three Story Fr
- 4.1 & 1/2 Story
- 5.1 & 3/4 Story
- 6.2 & 1/2 Story
- 21.Open Frame Por
- 22.Encl Frame Por
- 23.Frame Garage
- 24.Frame Shed
- 25.Frame Bay Wind
- 26.1SFr Overhang
- 27.Unfin Basement
- 28.Unfinished Att
- 29.Finished Attic





## Washburn

Map Lot 016-006


Account 1028

Location 3 FLEWELLING DRIVE

Card 1

Of 1

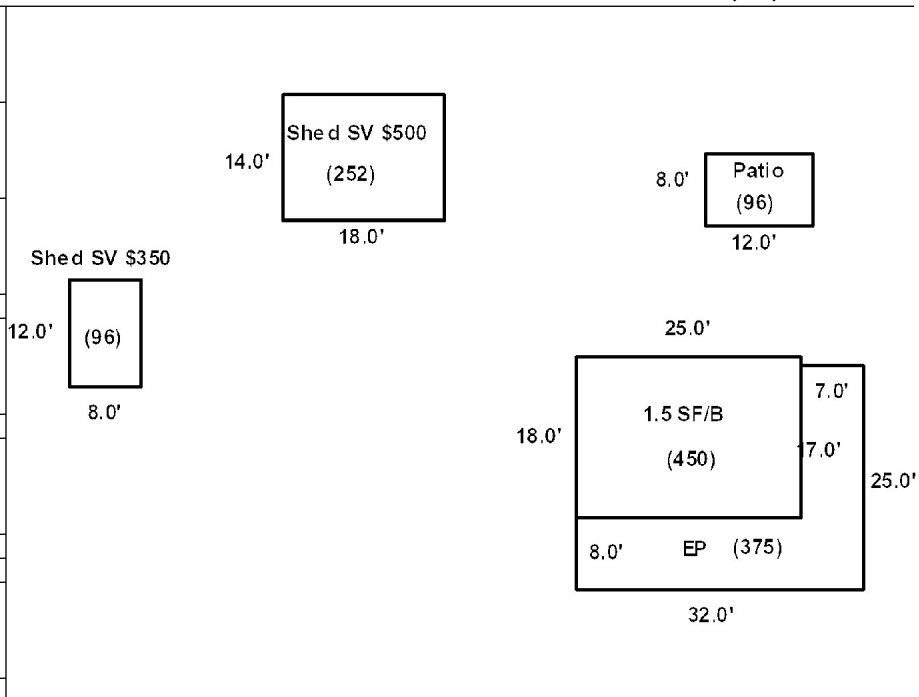
9/05/2024

Building Style	<b>4 Cape Cod</b>	SF Bsmt Living	0	Layout	<b>1 Typical</b>								
1.Conv.	5.Garrison	9.Gambrel	Fin Bsmt Grade	0 0	1.Typical	4. 7.							
2.Ranch	6.Salt Box	10.Other	OPEN 5 OPTIONAL	0	2.Inadeq	5. 8.							
3.R Ranch	7.Contemp	11.Split	Heat Type	<b>100% 5 Forced Warm Air</b>	3.Poor	6. 9.							
4.Cape	8.Log	12.	1.HWBB	5.FWA	9.No Heat	Attic	<b>9 None</b>						
Dwelling Units	<b>1</b>	2.HWCI	6.GravWA	10.	1.1/4 Fin	4.Full Fin	7.						
Other Units	<b>0</b>	3.H Pump	7.Electric	11.	2.1/2 Fin	5.FI/Stair	8.						
Stories	<b>4 One &amp; 1/2 Story</b>	4.Steam	8.FI/Wall	12.	3.3/4 Fin	6.	9.None						
1.1	4.1.5	7.	Cool Type	<b>0% 9 None</b>	Insulation	<b>1 Full</b>							
2.2	5.1.75	8.	1.Refrig	4.W&C Air	7.	1.Full	4.Minimal	7.					
3.3	6.2.5	9.	2.Evapor	5.	8.	2.Heavy	5.Partial	8.					
Exterior Walls	<b>2 Vinyl/Aluminum</b>	3.H Pump	6.	9.None	3.Capped	6.	9.None						
1.Wood	5.Stucco	9.T-111	Kitchen Style	<b>2 Typical</b>		Unfinished %	<b>0%</b>						
2.Vin/Al	6.Brick	10.Other	1.Modern	4.Obsolete	7.	Grade & Factor	<b>3 Average 95%</b>						
3.Compos.	7.Stone	11.	2.Typical	5.	8.	1.E Grade	4.B Grade	7.					
4.Asbestos	8.Concrete	12.	3.Old Type	6.	9.None	2.D Grade	5.A Grade	8.SC Grade					
Roof Surface	<b>3 Sheet Metal</b>	Bath(s) Style	<b>2 Typical Bath(s)</b>		3.C Grade	6.AA Grade	9.Same						
1.Asphalt	4.Composit	7.	1.Modern	4.Obsolete	7.	SQFT (Footprint)	<b>450</b>						
2.Slate	5.Wood	8.	2.Typical	5.	8.	Condition	<b>5 Above Average</b>						
3.Metal	6.Other	9.	3.Old Type	6.	9.None	1.Poor	4.Avg	7.V G					
SF Masonry Trim	<b>0</b>	# Rooms	<b>5</b>		2.Fair	5.Avg+	8.Exc						
OPEN-3-CUSTOM	<b>0</b>	# Bedrooms	<b>3</b>		3.Avg-	6.Good	9.Same						
OPEN-4-CUSTOM	<b>0</b>	# Full Baths	<b>1</b>		Phys. % Good	<b>0%</b>							
Year Built	<b>1930</b>	# Half Baths	<b>0</b>		Funct. % Good	<b>100%</b>							
Year Remodeled	<b>0</b>	# Addn Fixtures	<b>0</b>		Functional Code	<b>9 None</b>							
Foundation	<b>1 Concrete</b>	# Fireplaces	<b>0</b>		1.Incomp	4.Delap	7.No Power						
1.Concrete	4.Wood	7.											
2.C Block	5.Slab	8.											
3.Br/Stone	6.Piers	9.											
Basement	<b>2 1/2 Basement</b>	Economic Code							<b>None</b>				
1.1/4 Bmt	4.Full Bmt	7.							0.None	3.No Power	7.		
2.1/2 Bmt	5.None	8.							1.Location	4.Generate	8.		
3.3/4 Bmt	6.	9.None							2.Encroach	9.None	9.		
Bsmt Gar # Cars	<b>0</b>	Entrance Code							<b>1 Interior Inspect</b>				
Wet Basement	<b>3 Wet Basement</b>	1.Interior							4.Vacant	7.			
1.Dry	4.	7.							2.Refusal	5.Estimate	8.		
2.Damp	5.	8.	3.Informed	6.Reviewed	9.								
3.Wet	6.	9.	Information Code	<b>1 Owner</b>									
					1.Owner	4.Agent	7.						
					2.Relative	5.Estimate	8.						
					3.Tenant	6.Other	9.						

Date Inspected 10/07/2018

### Additions, Outbuildings & Improvements

Type	Year	Units	Grade	Cond	Phys.	Funct.	Sound Value
22 Encl Frame Porch	1950	375	3 90	4	0 %	100 %	
62 Patio	1960	96	3 90	4	0 %	100 %	
24 Frame Shed	0				%	%	500
24 Frame Shed	0				%	%	350
					%	%	
					%	%	
					%	%	
					%	%	
					%	%	
					%	%	
					%	%	
					%	%	











## Washburn

Map Lot 016-008

Account 792

Location 409 WASHBURN ROAD

Card 1

Of 1

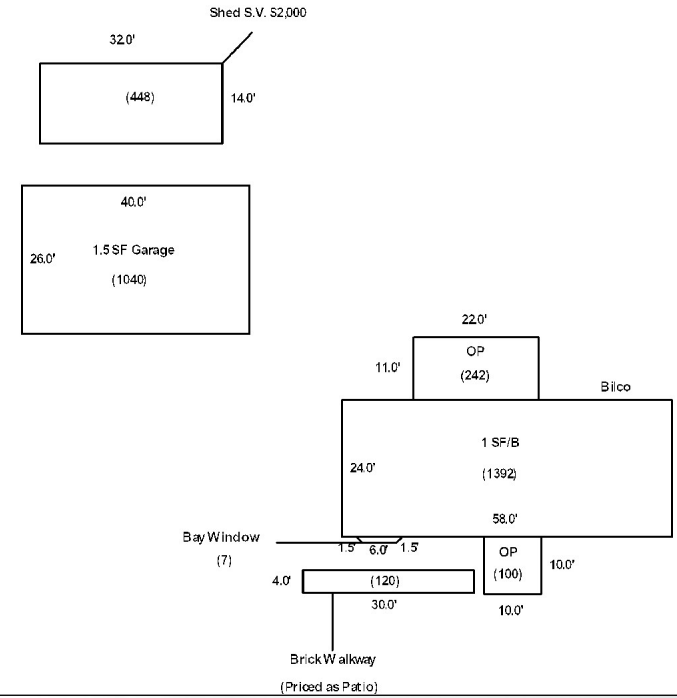
9/05/2024

Building Style <b>2 Ranch</b>	SF Bsmt Living <b>0</b>	Layout <b>1 Typical</b>
1.Conv. 5.Garrison 9.Gambrel	Fin Bsmt Grade <b>0 0</b>	1.Typical 4. 7.
2.Ranch 6.Salt Box 10.Other	OPEN 5 OPTIONAL <b>0</b>	2.Inadeq 5. 8.
3.R Ranch 7.Contemp 11.Split	Heat Type <b>100% 1 Hot Water BB</b>	3.Poor 6. 9.
4.Cape 8.Log 12.	1.HWBB 5.FWA 9.No Heat	Attic <b>9 None</b>
Dwelling Units <b>1</b>	2.HWCI 6.GravWA 10.	1.1/4 Fin 4.Full Fin 7.
Other Units <b>0</b>	3.H Pump 7.Electric 11.	2.1/2 Fin 5.FI/Stair 8.
Stories <b>1 One Story</b>	4.Steam 8.FI/Wall 12.	3.3/4 Fin 6. 9.None
1.1 4.1.5 7.	Cool Type <b>0% 9 None</b>	Insulation <b>1 Full</b>
2.2 5.1.75 8.	1.Refrig 4.W&C Air 7.	1.Full 4.Minimal 7.
3.3 6.2.5 9.	2.Evapor 5. 8.	2.Heavy 5.Partial 8.
Exterior Walls <b>2 Vinyl/Aluminum</b>	3.H Pump 6. 9.None	3.Capped 6. 9.None
1.Wood 5.Stucco 9.T-111	Kitchen Style <b>2 Typical</b>	Unfinished % <b>0%</b>
2.Vin/Al 6.Brick 10.Other	1.Modern 4.Obsolete 7.	Grade & Factor <b>3 Average 115%</b>
3.Compos. 7.Stone 11.	2.Typical 5. 8.	1.E Grade 4.B Grade 7.
4.Asbestos 8.Concrete 12.	3.Old Type 6. 9.None	2.D Grade 5.A Grade 8.SC Grade
Roof Surface <b>3 Sheet Metal</b>	Bath(s) Style <b>2 Typical Bath(s)</b>	3.C Grade 6.AA Grade 9.Same
1.Asphalt 4.Composit 7.	1.Modern 4.Obsolete 7.	SQFT (Footprint) <b>1392</b>
2.Slate 5.Wood 8.	2.Typical 5. 8.	Condition <b>6 Good</b>
3.Metal 6.Other 9.	3.Old Type 6. 9.None	1.Poor 4.Avg 7.V G
SF Masonry Trim <b>0</b>	# Rooms <b>5</b>	2.Fair 5.Avg+ 8.Exc
OPEN-3-CUSTOM <b>0</b>	# Bedrooms <b>3</b>	3.Avg- 6.Good 9.Same
OPEN-4-CUSTOM <b>0</b>	# Full Baths <b>1</b>	Phys. % Good <b>0%</b>
Year Built <b>1993</b>	# Half Baths <b>1</b>	Funct. % Good <b>100%</b>
Year Remodeled <b>0</b>	# Addn Fixtures <b>0</b>	Functional Code <b>9 None</b>
Foundation <b>1 Concrete</b>	# Fireplaces <b>0</b>	1.Incomp 4.Delap 7.No Power
1.Concrete 4.Wood 7.		2.O-Built 5.Bsmt 8.LongTerm
2.C Block 5.Slab 8.		3.Damage 6.Common 9.None
3.Br/Stone 6.Piers 9.		Econ. % Good <b>100%</b>
Basement <b>4 Full Basement</b>		Economic Code <b>None</b>
1.1/4 Bmt 4.Full Bmt 7.		0.None 3.No Power 7.
2.1/2 Bmt 5.None 8.		1.Location 4.Generate 8.
3.3/4 Bmt 6. 9.None		2.Encroach 9.None 9.
Bsmt Gar # Cars <b>0</b>		Entrance Code <b>5 Estimated</b>
Wet Basement <b>1 Dry Basement</b>		1.Interior 4.Vacant 7.
1.Dry 4. 7.		2.Refusal 5.Estimate 8.
2.Damp 5. 8.	3.Informed 6.Reviewed 9.	
3.Wet 6. 9.	Information Code <b>5 Estimate</b>	
	1.Owner 4.Agent 7.	
	2.Relative 5.Estimate 8.	
	3.Tenant 6.Other 9.	

Date Inspected 10/07/2018

### Additions, Outbuildings & Improvements

Type	Year	Units	Grade	Cond	Phys.	Funct.	Sound Value
21 Open Frame	2000	100	3 105	4	0 %	100 %	
21 Open Frame	2000	242	3 100	4	0 %	100 %	
82 1.5 S-Gar	1994	1040	3 105	4	0 %	100 %	
62 Patio	1995	120	3 110	4	0 %	100 %	
25 Frame Bay	1993	7	9 100	9	0 %	100 %	
					%	%	
					%	%	
					%	%	
					%	%	
					%	%	
					%	%	







## Washburn

Map Lot 016-009/10


Account 1003

Location 397 WASHBURN ROAD

Card 1

Of 1

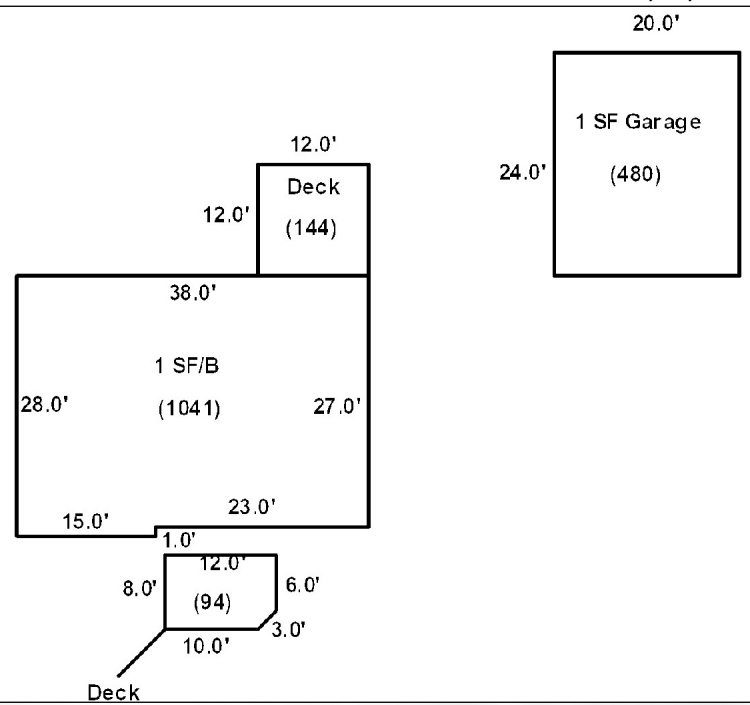
9/05/2024

Building Style <b>2 Ranch</b>	SF Bsmt Living <b>0</b>	Layout <b>1 Typical</b>
1.Conv. 5.Garrison 9.Gambrel	Fin Bsmt Grade <b>0 0</b>	1.Typical 4. 7.
2.Ranch 6.Salt Box 10.Other	OPEN 5 OPTIONAL <b>0</b>	2.Inadeq 5. 8.
3.R Ranch 7.Contemp 11.Split	Heat Type <b>100% 1 Hot Water BB</b>	3.Poor 6. 9.
4.Cape 8.Log 12.	1.HWBB 5.FWA 9.No Heat	Attic <b>9 None</b>
Dwelling Units <b>1</b>	2.HWCI 6.GravWA 10.	1.1/4 Fin 4.Full Fin 7.
Other Units <b>0</b>	3.H Pump 7.Electric 11.	2.1/2 Fin 5.F/Stair 8.
Stories <b>1 One Story</b>	4.Steam 8.F/Wall 12.	3.3/4 Fin 6. 9.None
1.1 4.1.5 7.	Cool Type <b>0% 9 None</b>	Insulation <b>1 Full</b>
2.2 5.1.75 8.	1.Refrig 4.W&C Air 7.	1.Full 4.Minimal 7.
3.3 6.2.5 9.	2.Evapor 5. 8.	2.Heavy 5.Partial 8.
Exterior Walls <b>2 Vinyl/Aluminum</b>	3.H Pump 6. 9.None	3.Capped 6. 9.None
1.Wood 5.Stucco 9.T-111	Kitchen Style <b>2 Typical</b>	Unfinished % <b>0%</b>
2.Vin/Al 6.Brick 10.Other	1.Modern 4.Obsolete 7.	Grade & Factor <b>3 Average 100%</b>
3.Compos. 7.Stone 11.	2.Typical 5. 8.	1.E Grade 4.B Grade 7.
4.Asbestos 8.Concrete 12.	3.Old Type 6. 9.None	2.D Grade 5.A Grade 8.SC Grade
Roof Surface <b>1 Asphalt Shingles</b>	Bath(s) Style <b>2 Typical Bath(s)</b>	3.C Grade 6.AA Grade 9.Same
1.Asphalt 4.Composit 7.	1.Modern 4.Obsolete 7.	SQFT (Footprint) <b>1041</b>
2.Slate 5.Wood 8.	2.Typical 5. 8.	Condition <b>5 Above Average</b>
3.Metal 6.Other 9.	3.Old Type 6. 9.None	1.Poor 4.Avg 7.V G
SF Masonry Trim <b>0</b>	# Rooms <b>4</b>	2.Fair 5.Avg+ 8.Exc
OPEN-3-CUSTOM <b>0</b>	# Bedrooms <b>2</b>	3.Avg- 6.Good 9.Same
OPEN-4-CUSTOM <b>0</b>	# Full Baths <b>1</b>	Phys. % Good <b>0%</b>
Year Built <b>1998</b>	# Half Baths <b>0</b>	Funct. % Good <b>100%</b>
Year Remodeled <b>0</b>	# Addn Fixtures <b>0</b>	Functional Code <b>9 None</b>
Foundation <b>1 Concrete</b>	# Fireplaces <b>0</b>	1.Incomp 4.Delap 7.No Power
1.Concrete 4.Wood 7.		2.O-Built 5.Bsmt 8.LongTerm
2.C Block 5.Slab 8.		Econ. % Good <b>100%</b>
3.Br/Stone 6.Piers 9.		Economic Code <b>None</b>
Basement <b>4 Full Basement</b>		0.None 3.No Power 7.
1.1/4 Bmt 4.Full Bmt 7.		1.Location 4.Generate 8.
2.1/2 Bmt 5.None 8.		2.Encroach 9.None 9.
3.3/4 Bmt 6. 9.None		Entrance Code <b>5 Estimated</b>
Bsmt Gar # Cars <b>0</b>		1.Interior 4.Vacant 7.
Wet Basement <b>1 Dry Basement</b>		2.Refusal 5.Estimate 8.
1.Dry 4. 7.		3.Informed 6.Reviewed 9.
2.Damp 5. 8.	Information Code <b>5 Estimate</b>	
3.Wet 6. 9.	1.Owner 4.Agent 7.	
	2.Relative 5.Estimate 8.	
	3.Tenant 6.Other 9.	

Date Inspected 10/07/2018

### Additions, Outbuildings & Improvements

Type	Year	Units	Grade	Cond	Phys.	Funct.	Sound Value
68 Wood Deck	2000	94	3 100	4	0 %	100 %	
68 Wood Deck	2000	144	3 100	3	0 %	100 %	
23 Frame Garage	1998	480	3 100	5	0 %	100 %	
					%	%	
					%	%	
					%	%	
					%	%	
					%	%	
					%	%	
					%	%	
					%	%	
					%	%	





JOHNSON, BOYD L  
JOHNSON, MARY J  
P.O. BOX 503  
WASHBURN ME 04786

B1142P515

Inspection Witnessed By:

No./Date	Description	Date Insp.
X		

Notes:

Washburn

Property Data			Assessment Record							
Neighborhood <b>1 Neighborhood One</b>			Year	Land	Buildings	Exempt	Total			
Tree Growth Year <b>0</b>			2012	5,500	31,600	14,080	23,020			
1ST MORTGAGE <b>0</b>			2013	7,200	49,300	14,080	42,420			
2ND MORTGAGE <b>0</b>			2015	7,200	49,300	14,400	42,100			
Zone/Land Use <b>1 Residential</b>			2018	7,200	49,300	23,920	32,580			
Secondary Zone			2019	13,900	46,300	26,000	34,200			
Topography <b>1 Level</b>			2020	13,900	46,300	31,000	29,200			
1.Level 4.Below St 7.LevelBog			2022	13,900	48,600	31,000	31,500			
2.Rolling 5.Low 8.			2023	18,500	57,900	31,000	45,400			
3.Above St 6.Swampy 9.			2024	18,500	57,900	31,000	45,400			
Utilities <b>4 Drilled Well 6 Septic System</b>										
1.Public 4.Dr Well 7.Cesspool										
2.Water 5.Dug Well 8.										
3.Sewer 6.Septic 9.None										
Street <b>1 Paved</b>										
1.Paved 4.Proposed 7.										
2.Semi Imp 5.R/O/W 8.										
3.Gravel 6. 9.None										
TG PLAN YEAR <b>0</b>										
Tif District # <b>0</b>										
Sale Data			<b>Land Data</b>							
Sale Date <b>1/15/1974</b>			<b>Front Foot</b>	<b>Type</b>	<b>Effective</b>		<b>Influence</b>		<b>Influence Codes</b>	
Price					Frontage	Depth	Factor	Code		
Sale Type <b>2 Land &amp; Buildings</b>					11.Regular Lot		%			1.Unimproved
1.Land 4.Mobile 7.C/I L&B					12.Delta Triangle		%			2.Excess Frtg
2.L & B 5.Other 8.					13.Nabla Triangle		%			3.Topography
3.Building 6.C/I Land 9.					14.Rear Land		%			4.Size/Shape
Financing			15.Class I Road		%		5.Access			
1.Convent 4.Seller 7.					%		6.Restriction			
2.FHA/VA 5.Private 8.					%		7.Open Space			
3.Assumed 6.Cash 9.Unknown					%		8.View/Environ			
Validity <b>1 Arms Length Sale</b>					%		9.Fract Share			
1.Valid 4.Split 7.Renovate			<b>Square Foot</b>	<b>Square Feet</b>				<b>Acres</b>		
2.Related 5.Partial 8.Other			16.Class II Road		%		30.Utility R O W			
3.Distress 6.Exempt 9.			17.Municipal Rese		%		31.Tillable			
Verified <b>5 Public Record</b>			18.Munic Sep Lago		%		32.Pasture			
1.Buyer 4.Agent 7.Family			19.Gravel Pit		%		33.Orchard			
2.Seller 5.Pub Rec 8.Other			20.Industrial Bas		%		34.Softwood F&O			
3.Lender 6.MLS 9.			<b>Fract. Acre</b>	<b>Acreege/Sites</b>			35.Mixed Wood F&O			
			21.Developed Pave	21	0.71	100 %	0	36.Hardwood F&O		
			22.Undev Paved (F			%		37.Softwood TG		
			23.Developed Grav			%		38.Mixed Wood TG		
			<b>Acres</b>			%		39.Hardwood TG		
			24.Undev Gravel (			%		40.Wasteland		
			25.Comm Base Pave			%		41.Open Space		
			26.Comm Base Grav			%		42.Mobile Home Si		
			27.Backlot			%		43.Condo Site		
			28.Rear Land			%		44.Lot Improvemen		
			29.Pavement			%		45.Subdivision Lo		
			<b>Total Acreage</b>		0.71			46.Heavy Ind Sit		



DONNELLY, JUSTIN  
DONNELLY, KATIE-ANN  
PO BOX 943  
PRESQUE ISLE ME 04769

B5832P181 B5838P246

Previous Owner  
MICHAUD, RICKY L. & SHEILA L.  
P.O. BOX 426

CROUSEVILLE ME 04738  
Sale Date: 11/01/2018

Previous Owner  
Town of Washburn  
1287 Main Street

Washburn ME 04786  
Sale Date: 10/17/2018

Inspection Witnessed By:

X Date

No./Date	Description	Date Insp.

Notes:  
\*4-9-2019 Combined lots 12 and 13 due to new deed. Account 946 now assessed at .79 acres. -10% for attached garage.

Washburn

Property Data			Assessment Record						
Neighborhood <b>1 Neighborhood One</b>			Year	Land	Buildings	Exempt	Total		
Tree Growth Year <b>0</b>			2012	2,100	0	2,100	0		
1ST MORTGAGE <b>0</b>			2013	2,700	0	2,700	0		
2ND MORTGAGE <b>0</b>			2015	2,700	0	2,700	0		
Zone/Land Use <b>1 Residential</b>			2018	2,700	0	2,700	0		
Secondary Zone			2019	12,700	95,800	0	108,500		
Topography <b>1 Level</b>			2020	12,700	94,800	25,000	82,500		
1.Level 4.Below St 7.LevelBog			2021	12,700	95,800	25,000	83,500		
2.Rolling 5.Low 8.			2022	12,700	100,400	25,000	88,100		
3.Above St 6.Swampy 9.			2023	14,500	118,900	25,000	108,400		
Utilities <b>4 Drilled Well 6 Septic System</b>			2024	14,500	118,900	25,000	108,400		
1.Public 4.Dr Well 7.Cesspool									
2.Water 5.Dug Well 8.									
3.Sewer 6.Septic 9.None									
Street <b>1 Paved</b>									
1.Paved 4.Proposed 7.									
2.Semi Imp 5.R/O/W 8.									
3.Gravel 6. 9.None									
TG PLAN YEAR <b>0</b>									
Tif District # <b>0</b>									
Sale Data			Land Data						
Sale Date <b>11/01/2018</b>			Front Foot	Type	Effective		Influence		Influence Codes
Price <b>133,000</b>					Frontage	Depth	Factor	Code	
Sale Type <b>2 Land &amp; Buildings</b>			11.Regular Lot					1.Unimproved	
1.Land 4.Mobile 7.C/I L&B			12.Delta Triangle					2.Excess Frtg	
2.L & B 5.Other 8.			13.Nabla Triangle					3.Topography	
3.Building 6.C/I Land 9.			14.Rear Land					4.Size/Shape	
Financing <b>9 Unknown</b>			15.Class I Road					5.Access	
1.Convent 4.Seller 7.			Square Foot	Square Feet				6.Restriction	
2.FHA/VA 5.Private 8.								16.Class II Road	29
3.Assumed 6.Cash 9.Unknown			17.Municipal Rese					8.View/Environ	
Validity <b>1 Arms Length Sale</b>			18.Munic Sep Lago					9.Fract Share	
1.Valid 4.Split 7.Renovate			19.Gravel Pit					<b>Acres</b>	
2.Related 5.Partial 8.Other			20.Industrial Bas					30.Utility R O W	
3.Distress 6.Exempt 9.			Fract. Acre	Acreage/Sites				31.Tillable	
Verified <b>5 Public Record</b>								21.Developed Pave	22
1.Buyer 4.Agent 7.Family			22.Undev Paved (F					33.Orchard	
2.Seller 5.Pub Rec 8.Other			23.Developed Grav					34.Softwood F&O	
3.Lender 6.MLS 9.			<b>Acres</b>					35.Mixed Wood F&O	
			24.Undev Gravel (					36.Hardwood F&O	
			25.Comm Base Pave					37.Softwood TG	
			26.Comm Base Grav					38.Mixed Wood TG	
			27.Backlot					39.Hardwood TG	
			28.Rear Land					40.Wasteland	
			29.Pavement					41.Open Space	
			<b>Total Acreage</b>		0.79			42.Mobile Home Si	
								43.Condo Site	
								44.Lot Improvemen	
								45.Subdivision Lo	
								46.Heavy Ind Sit	



ADAMS, NICOLE  
PO Box 463  
Presque Isle ME 04769

B6113P283

Previous Owner  
Brown, Matthew  
P.O. Box 481

Crouseville ME 04738  
Sale Date: 12/01/2020

Previous Owner  
Tardie, Marion I.  
Michaud, Ricky/Sheila  
P.O. Box 426  
Crouseville ME 04738  
Sale Date: 6/22/2018

Inspection Witnessed By:

X Date

No./Date	Description	Date Insp.

Notes:

\* Demo of old shed for 2020, look for new shed in 2021 possibly. House for sale. 7-1-2020

Washburn

Property Data			Assessment Record						
Neighborhood <b>1 Neighborhood One</b>			Year	Land	Buildings	Exempt	Total		
Tree Growth Year <b>0</b>			2012	4,700	33,400	8,800	29,300		
1ST MORTGAGE <b>0</b>			2013	6,200	33,400	8,800	30,800		
2ND MORTGAGE <b>0</b>			2015	6,200	33,400	9,000	30,600		
Zone/Land Use <b>1 Residential</b>			2018	6,200	33,400	18,400	21,200		
Secondary Zone			2019	12,100	46,200	0	58,300		
Topography <b>1 Level</b>			2020	12,100	46,100	25,000	33,200		
1.Level 4.Below St 7.LevelBog			2021	12,100	46,200	0	58,300		
2.Rolling 5.Low 8.			2022	12,100	48,500	0	60,600		
3.Above St 6.Swampy 9.			2023	16,200	57,700	0	73,900		
Utilities <b>4 Drilled Well 6 Septic System</b>			2024	16,200	57,700	0	73,900		
1.Public 4.Dr Well 7.Cesspool									
2.Water 5.Dug Well 8.									
3.Sewer 6.Septic 9.None									
Street <b>1 Paved</b>									
1.Paved 4.Proposed 7.									
2.Semi Imp 5.R/O/W 8.									
3.Gravel 6. 9.None									
TG PLAN YEAR <b>0</b>									
Tif District # <b>0</b>									
Sale Data			Land Data						
Sale Date <b>12/01/2020</b>			Front Foot	Type	Effective		Influence		Influence Codes
Price <b>82,000</b>					Frontage	Depth	Factor	Code	
Sale Type <b>2 Land &amp; Buildings</b>			11.Regular Lot					1.Unimproved	
1.Land 4.Mobile 7.C/I L&B			12.Delta Triangle					2.Excess Frtg	
2.L & B 5.Other 8.			13.Nabla Triangle					3.Topography	
3.Building 6.C/I Land 9.			14.Rear Land					4.Size/Shape	
Financing <b>9 Unknown</b>			15.Class I Road					5.Access	
1.Convent 4.Seller 7.			Square Foot	Square Feet				6.Restriction	
2.FHA/VA 5.Private 8.				16.Class II Road				7.Open Space	
3.Assumed 6.Cash 9.Unknown			17.Municipal Rese					8.View/Environ	
Validity <b>1 Arms Length Sale</b>			18.Munic Sep Lago					9.Fract Share	
1.Valid 4.Split 7.Renovate			19.Gravel Pit					<b>Acres</b>	
2.Related 5.Partial 8.Other			20.Industrial Bas					30.Utility R O W	
3.Distress 6.Exempt 9.			Fract. Acre	Acreage/Sites				31.Tillable	
Verified <b>5 Public Record</b>				21.Developed Pave	21	0.54	100	%	0
1.Buyer 4.Agent 7.Family			22.Undev Paved (F					32.Pasture	
2.Seller 5.Pub Rec 8.Other			23.Developed Grav					33.Orchard	
3.Lender 6.MLS 9.			<b>Acres</b>					34.Softwood F&O	
			24.Undev Gravel (					35.Mixed Wood F&O	
			25.Comm Base Pave					36.Hardwood F&O	
			26.Comm Base Grav					37.Softwood TG	
			27.Backlot					38.Mixed Wood TG	
			28.Rear Land					39.Hardwood TG	
			29.Pavement					40.Wasteland	
			<b>Total Acreage</b>		0.54				41.Open Space
									42.Mobile Home Si
									43.Condo Site
									44.Lot Improvemen
									45.Subdivision Lo
									46.Heavy Ind Sit







## Washburn

Map Lot 016-015


Account 618

Location 369 WASHBURN ROAD

Card 1

Of 1

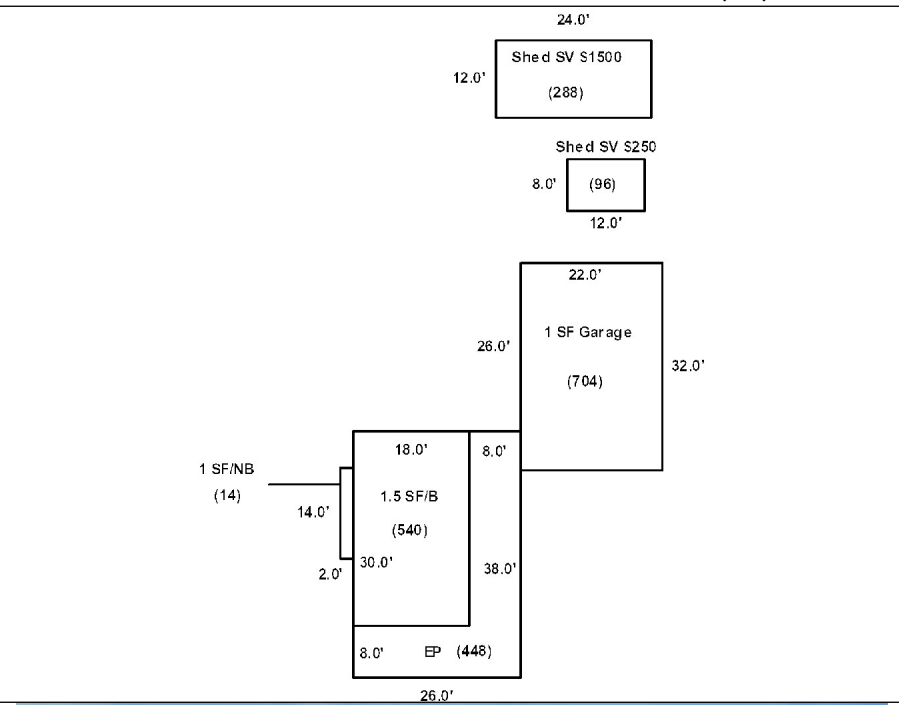
9/05/2024

Building Style	<b>4 Cape Cod</b>		SF Bsmt Living	<b>0</b>		Layout	<b>1 Typical</b>	
1.Conv.	5.Garrison	9.Gambrel	Fin Bsmt Grade	<b>0 0</b>		1.Typical	4.	7.
2.Ranch	6.Salt Box	10.Other	OPEN 5 OPTIONAL	<b>0</b>		2.Inadeq	5.	8.
3.R Ranch	7.Contemp	11.Split	Heat Type	<b>100% 5 Forced Warm Air</b>		3.Poor	6.	9.
4.Cape	8.Log	12.	1.HWBB	5.FWA	9.No Heat	Attic	<b>9 None</b>	
Dwelling Units	<b>1</b>		2.HWCI	6.GravWA	10.	1.1/4 Fin	4.Full Fin	7.
Other Units	<b>0</b>		3.H Pump	7.Electric	11.	2.1/2 Fin	5.FI/Stair	8.
Stories	<b>4 One &amp; 1/2 Story</b>		4.Steam	8.FI/Wall	12.	3.3/4 Fin	6.	9.None
1.1	4.1.5	7.	Cool Type	<b>0% 9 None</b>		Insulation	<b>1 Full</b>	
2.2	5.1.75	8.	1.Refrig	4.W&C Air	7.	1.Full	4.Minimal	7.
3.3	6.2.5	9.	2.Evapor	5.	8.	2.Heavy	5.Partial	8.
Exterior Walls	<b>2 Vinyl/Aluminum</b>		3.H Pump	6.	9.None	3.Capped	6.	9.None
1.Wood	5.Stucco	9.T-111	Kitchen Style	<b>2 Typical</b>		Unfinished %	<b>0%</b>	
2.Vin/Al	6.Brick	10.Other	1.Modern	4.Obsolete	7.	Grade & Factor	<b>2 Fair 110%</b>	
3.Compos.	7.Stone	11.	2.Typical	5.	8.	1.E Grade	4.B Grade	7.
4.Asbestos	8.Concrete	12.	3.Old Type	6.	9.None	2.D Grade	5.A Grade	8.SC Grade
Roof Surface	<b>3 Sheet Metal</b>		Bath(s) Style	<b>2 Typical Bath(s)</b>		3.C Grade	6.AA Grade	9.Same
1.Asphalt	4.Composit	7.	1.Modern	4.Obsolete	7.	<b>SQFT (Footprint) 540</b>		
2.Slate	5.Wood	8.	2.Typical	5.	8.	Condition	<b>5 Above Average</b>	
3.Metal	6.Other	9.	3.Old Type	6.	9.None	1.Poor	4.Avg	7.V G
SF Masonry Trim	<b>0</b>		# Rooms	<b>5</b>		2.Fair	5.Avg+	8.Exc
OPEN-3-CUSTOM	<b>0</b>		# Bedrooms	<b>2</b>		3.Avg-	6.Good	9.Same
OPEN-4-CUSTOM	<b>0</b>		# Full Baths	<b>1</b>		Phys. % Good	<b>0%</b>	
Year Built	<b>1930</b>		# Half Baths	<b>0</b>		Funct. % Good	<b>100%</b>	
Year Remodeled	<b>0</b>		# Addn Fixtures	<b>0</b>		Functional Code	<b>9 None</b>	
Foundation	<b>1 Concrete</b>		# Fireplaces	<b>0</b>		1.Incomp	4.Delap	7.No Power
1.Concrete	4.Wood	7.						
2.C Block	5.Slab	8.						
3.Br/Stone	6.Piers	9.						
Basement	<b>2 1/2 Basement</b>							
1.1/4 Bmt	4.Full Bmt	7.						
2.1/2 Bmt	5.None	8.						
3.3/4 Bmt	6.	9.None						
Bsmt Gar # Cars	<b>0</b>							
Wet Basement	<b>2 Damp Basement</b>							
1.Dry	4.	7.						
2.Damp	5.	8.						
3.Wet	6.	9.						

Date Inspected 10/06/2018

### Additions, Outbuildings & Improvements

Type	Year	Units	Grade	Cond	Phys.	Funct.	Sound Value
22 Encl Frame Porch	1930	448	9 100	9	0 %	100 %	
1 One Story Frame	1930	14	2 105	5	0 %	100 %	
23 Frame Garage	1950	704	3 90	4	0 %	95 %	
24 Frame Shed	0				%	%	250
24 Frame Shed	0				%	%	1,500
					%	%	
					%	%	
					%	%	
					%	%	
					%	%	
					%	%	
					%	%	













# Washburn

Map Lot 016-017

Account 57

Location 366 Washburn Road

Card 1

Of 1

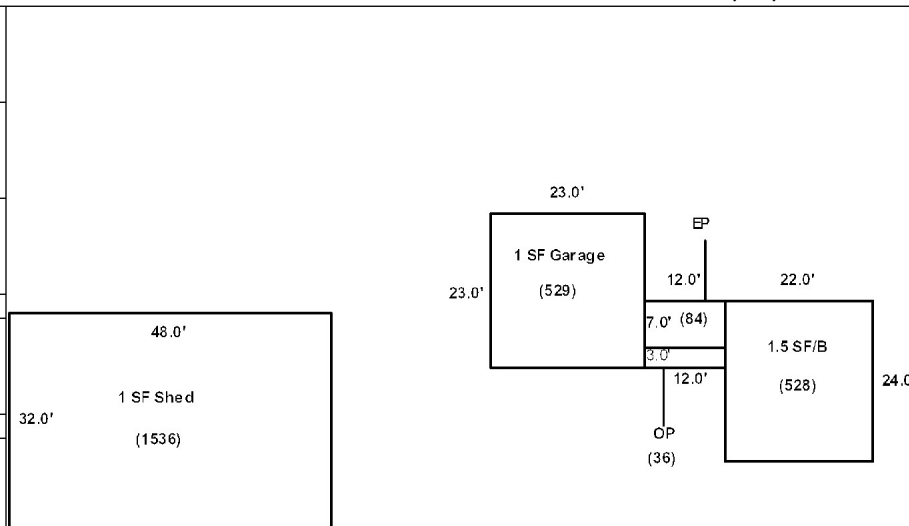
9/05/2024

Building Style	<b>4 Cape Cod</b>	SF Bsmt Living	<b>0</b>	Layout	<b>1 Typical</b>
1.Conv.	5.Garrison	9.Gambrel	Fin Bsmt Grade	<b>0 0</b>	1.Typical
2.Ranch	6.Salt Box	10.Other	OPEN 5 OPTIONAL	<b>0</b>	2.Inadeq
3.R Ranch	7.Contemp	11.Split	Heat Type	<b>100% 5 Forced Warm Air</b>	3.Poor
4.Cape	8.Log	12.	1.HWBB	5.FWA	9.No Heat
Dwelling Units	<b>1</b>	2.HWCI	6.GravWA	10.	Attic
Other Units	<b>0</b>	3.H Pump	7.Electric	11.	1.1/4 Fin
Stories	<b>4 One &amp; 1/2 Story</b>	4.Steam	8.Fi/Wall	12.	4.Full Fin
1.1	4.1.5	7.	Cool Type	<b>0% 9 None</b>	7.
2.2	5.1.75	8.	1.Refrig	4.W&C Air	7.
3.3	6.2.5	9.	2.Evapor	5.	8.
Exterior Walls	<b>2 Vinyl/Aluminum</b>	3.H Pump	6.	9.None	3.Capped
1.Wood	5.Stucco	9.T-111	Kitchen Style	<b>2 Typical</b>	9.None
2.Vin/Al	6.Brick	10.Other	1.Modern	4.Obsolete	7.
3.Compos.	7.Stone	11.	2.Typical	5.	8.
4.Asbestos	8.Concrete	12.	3.Old Type	6.	9.None
Roof Surface	<b>1 Asphalt Shingles</b>	Bath(s) Style	<b>2 Typical Bath(s)</b>		
1.Asphalt	4.Composit	7.	1.Modern	4.Obsolete	7.
2.Slate	5.Wood	8.	2.Typical	5.	8.
3.Metal	6.Other	9.	3.Old Type	6.	9.None
SF Masonry Trim	<b>0</b>	# Rooms	<b>4</b>		
OPEN-3-CUSTOM	<b>0</b>	# Bedrooms	<b>2</b>		
OPEN-4-CUSTOM	<b>0</b>	# Full Baths	<b>1</b>		
Year Built	<b>1920</b>	# Half Baths	<b>0</b>		
Year Remodeled	<b>0</b>	# Addn Fixtures	<b>0</b>		
Foundation	<b>1 Concrete</b>	# Fireplaces	<b>0</b>		
1.Concrete	4.Wood	7.			
2.C Block	5.Slab	8.			
3.Br/Stone	6.Piers	9.			
Basement	<b>2 1/2 Basement</b>				
1.1/4 Bmt	4.Full Bmt	7.			
2.1/2 Bmt	5.None	8.			
3.3/4 Bmt	6.	9.None			
Bsmt Gar # Cars	<b>0</b>				
Wet Basement	<b>3 Wet Basement</b>				
1.Dry	4.	7.			
2.Damp	5.	8.			
3.Wet	6.	9.			

Date Inspected 10/07/2018

### Additions, Outbuildings & Improvements

Type	Year	Units	Grade	Cond	Phys.	Funct.	Sound Value
21 Open Frame	1920	36	9 100	9	0 %	100 %	
22 Encl Frame Porch	1920	84	9 100	9	0 %	100 %	
23 Frame Garage	1948	529	3 95	3	0 %	90 %	
24 Frame Shed	1948	1536	2 100	3	0 %	85 %	
					%	%	
					%	%	
					%	%	
					%	%	
					%	%	
					%	%	
					%	%	





## Washburn

Map Lot 016-018


Account 1032

Location 416 WASHBURN ROAD

Card 1

Of 1

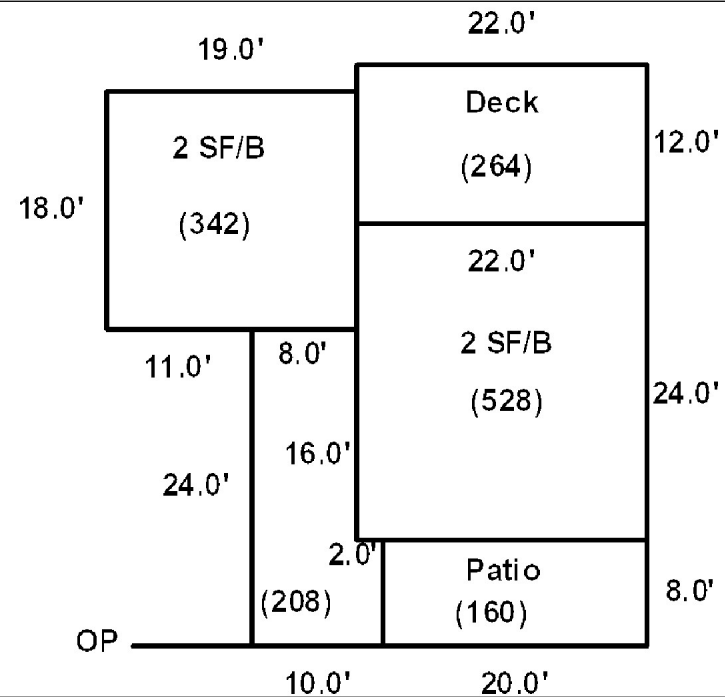
9/05/2024

Building Style <b>5 Garrison</b>	SF Bsmt Living <b>0</b>	Layout <b>1 Typical</b>
1.Conv. 5.Garrison 9.Gambrel	Fin Bsmt Grade <b>0 0</b>	1.Typical 4. 7.
2.Ranch 6.Salt Box 10.Other	OPEN 5 OPTIONAL <b>0</b>	2.Inadeq 5. 8.
3.R Ranch 7.Contemp 11.Split	Heat Type <b>100% 1 Hot Water BB</b>	3.Pool 6. 9.
4.Cape 8.Log 12.	1.HWBB 5.FWA 9.No Heat	Attic <b>9 None</b>
Dwelling Units <b>1</b>	2.HWCI 6.GravWA 10.	1.1/4 Fin 4.Full Fin 7.
Other Units <b>0</b>	3.H Pump 7.Electric 11.	2.1/2 Fin 5.FI/Stair 8.
Stories <b>2 Two Story</b>	4.Steam 8.FI/Wall 12.	3.3/4 Fin 6. 9.None
1.1 4.1.5 7.	Cool Type <b>0% 9 None</b>	Insulation <b>1 Full</b>
2.2 5.1.75 8.	1.Refrig 4.W&C Air 7.	1.Full 4.Minimal 7.
3.3 6.2.5 9.	2.Evapor 5. 8.	2.Heavy 5.Partial 8.
Exterior Walls <b>2 Vinyl/Aluminum</b>	3.H Pump 6. 9.None	3.Capped 6. 9.None
1.Wood 5.Stucco 9.T-111	Kitchen Style <b>2 Typical</b>	Unfinished % <b>0%</b>
2.Vin/Al 6.Brick 10.Other	1.Modern 4.Obsolete 7.	Grade & Factor <b>3 Average 115%</b>
3.Compos. 7.Stone 11.	2.Typical 5. 8.	1.E Grade 4.B Grade 7.
4.Asbestos 8.Concrete 12.	3.Old Type 6. 9.None	2.D Grade 5.A Grade 8.SC Grade
Roof Surface <b>1 Asphalt Shingles</b>	Bath(s) Style <b>2 Typical Bath(s)</b>	3.C Grade 6.AA Grade 9.Same
1.Asphalt 4.Composit 7.	1.Modern 4.Obsolete 7.	SQFT (Footprint) <b>528</b>
2.Slate 5.Wood 8.	2.Typical 5. 8.	Condition <b>4 Average</b>
3.Metal 6.Other 9.	3.Old Type 6. 9.None	1.Poor 4.Avg 7.V G
SF Masonry Trim <b>0</b>	# Rooms <b>6</b>	2.Fair 5.Avg+ 8.Exc
OPEN-3-CUSTOM <b>0</b>	# Bedrooms <b>3</b>	3.Avg- 6.Good 9.Same
OPEN-4-CUSTOM <b>0</b>	# Full Baths <b>2</b>	Phys. % Good <b>0%</b>
Year Built <b>2020</b>	# Half Baths <b>0</b>	Funct. % Good <b>100%</b>
Year Remodeled <b>1900</b>	# Addn Fixtures <b>0</b>	Functional Code <b>9 None</b>
Foundation <b>3 Brick &amp;/or Stone</b>	# Fireplaces <b>0</b>	1.Incomp 4.Delap 7.No Power
1.Concrete 4.Wood 7.	 <p><b>TRIO</b> Software <i>A Division of Harris Computer Systems</i></p>	2.O-Built 5.Bsmt 8.LongTerm
2.C Block 5.Slab 8.		3.Damage 6.Common 9.None
3.Br/Stone 6.Piers 9.		Econ. % Good <b>100%</b>
Basement <b>4 Full Basement</b>		Economic Code <b>None</b>
1.1/4 Bmt 4.Full Bmt 7.		0.None 3.No Power 7.
2.1/2 Bmt 5.None 8.		1.Location 4.Generate 8.
3.3/4 Bmt 6. 9.None		2.Encroach 9.None 9.
Bsmt Gar # Cars <b>0</b>		Entrance Code <b>5 Estimated</b>
Wet Basement <b>2 Damp Basement</b>		1.Interior 4.Vacant 7.
1.Dry 4. 7.		2.Refusal 5.Estimate 8.
2.Damp 5. 8.	3.Informed 6.Reviewed 9.	
3.Wet 6. 9.	Information Code <b>5 Estimate</b>	
	1.Owner 4.Agent 7.	
	2.Relative 5.Estimate 8.	
	3.Tenant 6.Other 9.	

Date Inspected 10/07/2018

### Additions, Outbuildings & Improvements

Type	Year	Units	Grade	Cond	Phys.	Funct.	Sound Value
62 Patio	1990	160	3 100	4	0 %	100 %	
21 Open Frame	1980	208	3 100	4	0 %	100 %	
68 Wood Deck	2000	264	3 95	4	0 %	100 %	
12 2 Story/Bsmt	1980	342	9 100	9	0 %	100 %	
					%	%	
					%	%	
					%	%	
					%	%	
					%	%	
					%	%	
					%	%	







## Washburn

Map Lot 016-019


Account 151

Location 420 WASHBURN ROAD

Card 1

Of 1

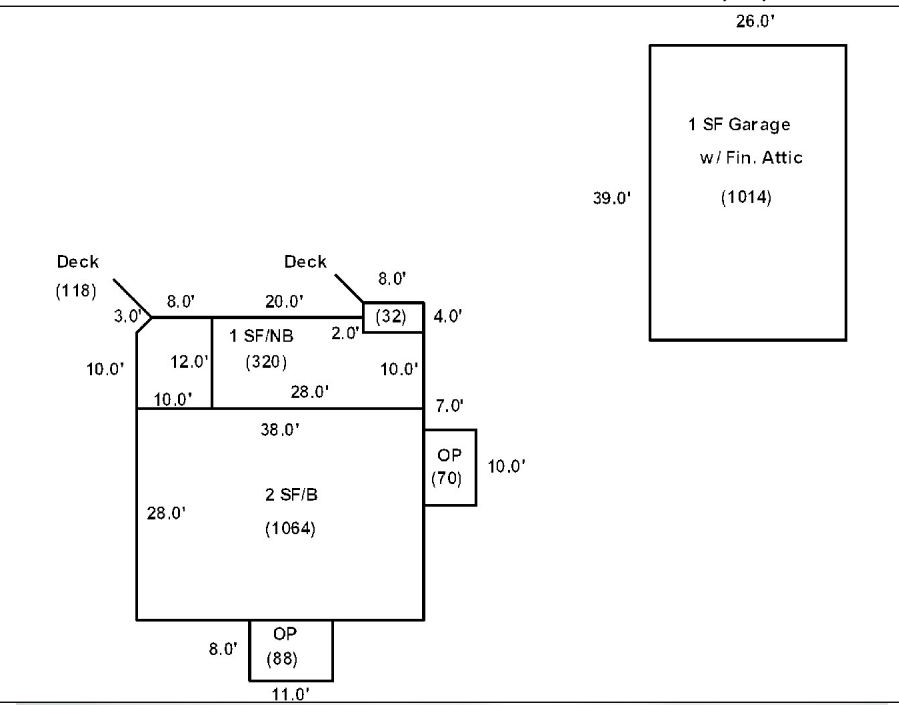
9/05/2024

Building Style	<b>5 Garrison</b>		SF Bsmt Living	<b>0</b>		Layout	<b>1 Typical</b>							
1.Conv.	5.Garrison	9.Gambrel	Fin Bsmt Grade	<b>0 0</b>		1.Typical	4.	7.						
2.Ranch	6.Salt Box	10.Other	OPEN 5 OPTIONAL	<b>0</b>		2.Inadeq	5.	8.						
3.R Ranch	7.Contemp	11.Split	Heat Type	<b>100% 1 Hot Water BB</b>		3.Poor	6.	9.						
4.Cape	8.Log	12.	1.HWBB	5.FWA	9.No Heat	Attic	<b>9 None</b>							
Dwelling Units	<b>1</b>		2.HWCI	6.GravWA	10.	1.1/4 Fin	4.Full Fin	7.						
Other Units	<b>0</b>		3.H Pump	7.Electric	11.	2.1/2 Fin	5.FI/Stair	8.						
Stories	<b>2 Two Story</b>		4.Steam	8.FI/Wall	12.	3.3/4 Fin	6.	9.None						
1.1	4.1.5	7.	Cool Type	<b>0% 9 None</b>		Insulation	<b>1 Full</b>							
2.2	5.1.75	8.	1.Refrig	4.W&C Air	7.	1.Full	4.Minimal	7.						
3.3	6.2.5	9.	2.Evapor	5.	8.	2.Heavy	5.Partial	8.						
Exterior Walls	<b>2 Vinyl/Aluminum</b>		3.H Pump	6.	9.None	3.Capped	6.	9.None						
1.Wood	5.Stucco	9.T-111	Kitchen Style	<b>2 Typical</b>		Unfinished %	<b>0%</b>							
2.Vin/Al	6.Brick	10.Other	1.Modern	4.Obsolete	7.	Grade & Factor	<b>3 Average 105%</b>							
3.Compos.	7.Stone	11.	2.Typical	5.	8.	1.E Grade	4.B Grade	7.						
4.Asbestos	8.Concrete	12.	3.Old Type	6.	9.None	2.D Grade	5.A Grade	8.SC Grade						
Roof Surface	<b>1 Asphalt Shingles</b>		Bath(s) Style	<b>2 Typical Bath(s)</b>		3.C Grade	6.AA Grade	9.Same						
1.Asphalt	4.Composit	7.	1.Modern	4.Obsolete	7.	SQFT (Footprint)	<b>1064</b>							
2.Slate	5.Wood	8.	2.Typical	5.	8.	Condition	<b>5 Above Average</b>							
3.Metal	6.Other	9.	3.Old Type	6.	9.None	1.Poor	4.Avg	7.V G						
SF Masonry Trim	<b>700</b>		# Rooms	<b>7</b>		2.Fair	5.Avg+	8.Exc						
OPEN-3-CUSTOM	<b>0</b>		# Bedrooms	<b>3</b>		3.Avg-	6.Good	9.Same						
OPEN-4-CUSTOM	<b>0</b>		# Full Baths	<b>1</b>		Phys. % Good	<b>0%</b>							
Year Built	<b>1950</b>		# Half Baths	<b>1</b>		Funct. % Good	<b>100%</b>							
Year Remodeled	<b>0</b>		# Addn Fixtures	<b>0</b>		Functional Code	<b>9 None</b>							
Foundation	<b>1 Concrete</b>		# Fireplaces	<b>1</b>		1.Incomp	4.Delap	7.No Power						
1.Concrete	4.Wood	7.							2.O-Built	5.Bsmt	8.LongTerm			
2.C Block	5.Slab	8.							Econ. % Good	<b>100%</b>		Economic Code	<b>None</b>	
3.Br/Stone	6.Piers	9.							0.None	3.No Power	7.	1.Location	4.Generate	8.
Basement	<b>4 Full Basement</b>								1.Locatio	4.Generate	8.	2.Encroach	9.None	9.
1.1/4 Bmt	4.Full Bmt	7.							Entrance Code	<b>5 Estimated</b>		1.Interior	4.Vacant	7.
2.1/2 Bmt	5.None	8.							1.Refusal	5.Estimate	8.	2.Informed	6.Reviewed	9.
3.3/4 Bmt	6.	9.None							Information Code	<b>5 Estimate</b>		1.Owner	4.Agent	7.
Bsmt Gar # Cars	<b>0</b>								2.Relative	5.Estimate	8.	3.Tenant	6.Other	9.
Wet Basement	<b>1 Dry Basement</b>								3.Tenant	6.Other	9.			
1.Dry	4.	7.												
2.Damp	5.	8.												
3.Wet	6.	9.												

Date Inspected 10/07/2018

### Additions, Outbuildings & Improvements

Type	Year	Units	Grade	Cond	Phys.	Funct.	Sound Value
21 Open Frame	2000	88	3 105	4	0 %	100 %	
21 Open Frame	1970	70	3 105	4	0 %	100 %	
1 One Story Frame	1980	320	9 100	9	0 %	100 %	
68 Wood Deck	2000	118	3 105	4	0 %	100 %	
68 Wood Deck	2000	32	3 100	4	0 %	100 %	
23 Frame Garage	1980	1014	3 105	5	0 %	100 %	
29 Finished Attic	1980	1014	3 100	4	0 %	100 %	
					%	%	
					%	%	
					%	%	





## Washburn

Map Lot 016-020

Account 517

Location 426 WASHBURN ROAD

Card 1

Of 1

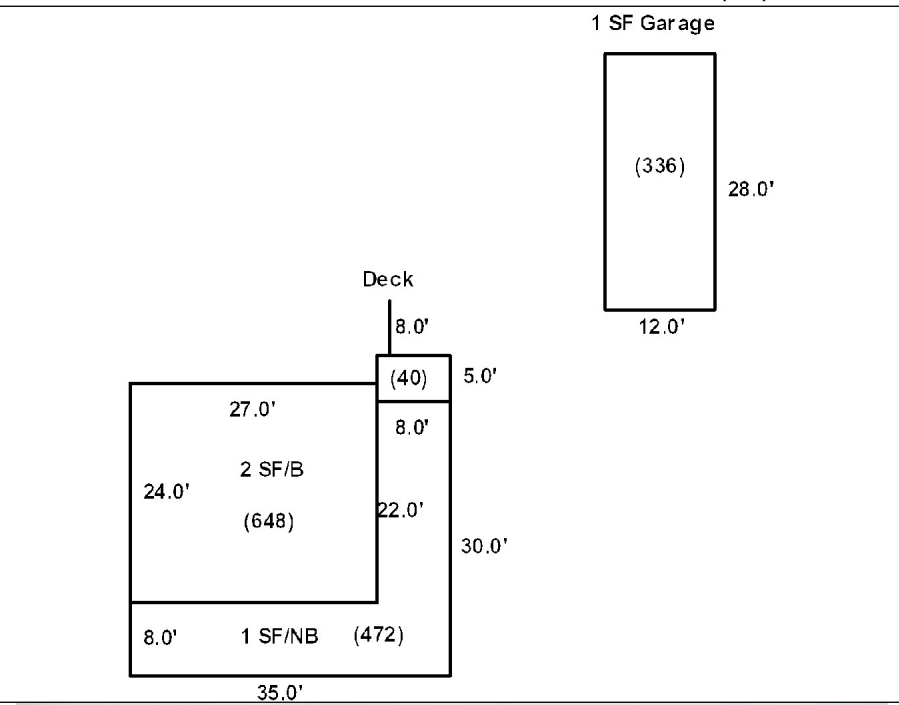
9/05/2024

Building Style <b>5 Garrison</b>	SF Bsmt Living <b>0</b>	Layout <b>1 Typical</b>
1.Conv. 5.Garrison 9.Gambrel	Fin Bsmt Grade <b>0 0</b>	1.Typical 4. 7.
2.Ranch 6.Salt Box 10.Other	OPEN 5 OPTIONAL <b>0</b>	2.Inadeq 5. 8.
3.R Ranch 7.Contemp 11.Split	Heat Type <b>100% 1 Hot Water BB</b>	3.Poor 6. 9.
4.Cape 8.Log 12.	1.HWBB 5.FWA 9.No Heat	Attic <b>9 None</b>
Dwelling Units <b>1</b>	2.HWCI 6.GravWA 10.	1.1/4 Fin 4.Full Fin 7.
Other Units <b>0</b>	3.H Pump 7.Electric 11.	2.1/2 Fin 5.FI/Stair 8.
Stories <b>2 Two Story</b>	4.Steam 8.FI/Wall 12.	3.3/4 Fin 6. 9.None
1.1 4.1.5 7.	Cool Type <b>0% 9 None</b>	Insulation <b>1 Full</b>
2.2 5.1.75 8.	1.Refrig 4.W&C Air 7.	1.Full 4.Minimal 7.
3.3 6.2.5 9.	2.Evapor 5. 8.	2.Heavy 5.Partial 8.
Exterior Walls <b>4 Asbestos Siding</b>	3.H Pump 6. 9.None	3.Capped 6. 9.None
1.Wood 5.Stucco 9.T-111	Kitchen Style <b>2 Typical</b>	Unfinished % <b>0%</b>
2.Vin/Al 6.Brick 10.Other	1.Modern 4.Obsolete 7.	Grade & Factor <b>2 Fair 110%</b>
3.Compos. 7.Stone 11.	2.Typical 5. 8.	1.E Grade 4.B Grade 7.
4.Asbestos 8.Concrete 12.	3.Old Type 6. 9.None	2.D Grade 5.A Grade 8.SC Grade
Roof Surface <b>3 Sheet Metal</b>	Bath(s) Style <b>2 Typical Bath(s)</b>	3.C Grade 6.AA Grade 9.Same
1.Asphalt 4.Composit 7.	1.Modern 4.Obsolete 7.	SQFT (Footprint) <b>648</b>
2.Slate 5.Wood 8.	2.Typical 5. 8.	Condition <b>5 Above Average</b>
3.Metal 6.Other 9.	3.Old Type 6. 9.None	1.Poor 4.Avg 7.V G
SF Masonry Trim <b>0</b>	# Rooms <b>6</b>	2.Fair 5.Avg+ 8.Exc
OPEN-3-CUSTOM <b>0</b>	# Bedrooms <b>3</b>	3.Avg- 6.Good 9.Same
OPEN-4-CUSTOM <b>0</b>	# Full Baths <b>1</b>	Phys. % Good <b>0%</b>
Year Built <b>1914</b>	# Half Baths <b>1</b>	Funct. % Good <b>100%</b>
Year Remodeled <b>1970</b>	# Addn Fixtures <b>0</b>	Functional Code <b>9 None</b>
Foundation <b>3 Brick &amp;/or Stone</b>	# Fireplaces <b>0</b>	1.Incomp 4.Delap 7.No Power
1.Concrete 4.Wood 7.	 <p><b>TRIO</b> Software <i>A Division of Harris Computer Systems</i></p>	2.O-Built 5.Bsmt 8.LongTerm
2.C Block 5.Slab 8.		3.Damage 6.Common 9.None
3.Br/Stone 6.Piers 9.		Econ. % Good <b>100%</b>
Basement <b>3 3/4 Basement</b>		Economic Code <b>None</b>
1.1/4 Bmt 4.Full Bmt 7.		0.None 3.No Power 7.
2.1/2 Bmt 5.None 8.		1.Location 4.Generate 8.
3.3/4 Bmt 6. 9.None		2.Encroach 9.None 9.
Bsmt Gar # Cars <b>0</b>		Entrance Code <b>1 Interior Inspect</b>
Wet Basement <b>3 Wet Basement</b>		1.Interior 4.Vacant 7.
1.Dry 4. 7.		2.Refusal 5.Estimate 8.
2.Damp 5. 8.	3.Informed 6.Reviewed 9.	
3.Wet 6. 9.	Information Code <b>1 Owner</b>	
	1.Owner 4.Agent 7.	
	2.Relative 5.Estimate 8.	
	3.Tenant 6.Other 9.	

Date Inspected 10/07/2018

### Additions, Outbuildings & Improvements

Type	Year	Units	Grade	Cond	Phys.	Funct.	Sound Value
1 One Story Frame	1970	472	3 90	4	0 %	100 %	
68 Wood Deck	1990	40	3 95	3	0 %	100 %	
23 Frame Garage	1940	336	3 90	3	0 %	100 %	
					%	%	
					%	%	
					%	%	
					%	%	
					%	%	
					%	%	
					%	%	
					%	%	
					%	%	



WONG, CHRISTOPHER G  
WONG, JENNIFER M  
103 WILLIAMS ROAD  
PRESQUE ISLE ME 04769

B6432P304

Previous Owner  
D&L RENTALS, LLC  
430 Washburn Road

Washburn ME 04786  
Sale Date: 4/10/2023

Previous Owner  
Conley, Dwayne D.  
Conley, Vicky A.  
P.O. Box 502  
Crouseville ME 04738  
Sale Date: 5/31/2016

Previous Owner  
O'Donnell, Carolyn E.  
O'Donnell, Timothy  
P.O. Box 396  
Crouseville ME 04738  
Sale Date: 7/15/2008

Inspection Witnessed By:

X	Date
No./Date	Description
	Date Insp.

Notes:  
\*1-21-2019 -5% off baselot for shared well with lot 21A. -5% for attached garage.

Washburn

Property Data			Assessment Record						
Neighborhood <b>1 Neighborhood One</b>			Year	Land	Buildings	Exempt	Total		
Tree Growth Year <b>0</b>			2012	4,900	90,200	8,800	86,300		
1ST MORTGAGE <b>0</b>			2013	6,300	90,200	8,800	87,700		
2ND MORTGAGE <b>0</b>			2015	6,300	90,200	9,000	87,500		
Zone/Land Use <b>1 Residential</b>			2018	6,300	90,200	0	96,500		
Secondary Zone <b>2 Commercial</b>			2019	21,300	99,700	0	121,000		
Topography <b>1 Level</b>			2020	21,300	99,700	0	121,000		
1.Level 4.Below St 7.LevelBog			2021	21,300	99,700	0	121,000		
2.Rolling 5.Low 8.			2022	21,300	104,700	0	126,000		
3.Above St 6.Swampy 9.			2023	23,400	124,700	0	148,100		
Utilities <b>4 Drilled Well 6 Septic System</b>			2024	23,400	124,700	0	148,100		
1.Public 4.Dr Well 7.Cesspool									
2.Water 5.Dug Well 8.									
3.Sewer 6.Septic 9.None									
Street <b>1 Paved</b>									
1.Paved 4.Proposed 7.									
2.Semi Imp 5.R/O/W 8.									
3.Gravel 6. 9.None									
TG PLAN YEAR <b>0</b>									
Tif District # <b>0</b>									
Sale Data			<b>Land Data</b>						
Sale Date <b>4/10/2023</b>			<b>Front Foot</b>	<b>Type</b>	<b>Effective</b>		<b>Influence</b>		<b>Influence Codes</b>
Price <b>625,000</b>					Frontage	Depth	Factor	Code	
Sale Type <b>2 Land &amp; Buildings</b>			11.Regular Lot					1.Unimproved	
1.Land 4.Mobile 7.C/I L&B			12.Delta Triangle			%		2.Excess Frtg	
2.L & B 5.Other 8.			13.Nabla Triangle			%		3.Topography	
3.Building 6.C/I Land 9.			14.Rear Land			%		4.Size/Shape	
Financing <b>1 Conventional</b>			15.Class I Road			%		5.Access	
1.Convent 4.Seller 7.						%		6.Restriction	
2.FHA/VA 5.Private 8.						%		7.Open Space	
3.Assumed 6.Cash 9.Unknown						%		8.View/Environ	
Validity <b>4 Split/Assemblage</b>						%		9.Fract Share	
1.Valid 4.Split 7.Renovate			<b>Square Foot</b>	<b>Square Feet</b>				<b>Acres</b>	
2.Related 5.Partial 8.Other			16.Class II Road	29	2,000	75	%	0	
3.Distress 6.Exempt 9.			17.Municipal Rese				%		
Verified <b>5 Public Record</b>			18.Munic Sep Lago				%		
1.Buyer 4.Agent 7.Family			19.Gravel Pit				%		
2.Seller 5.Pub Rec 8.Other			20.Industrial Bas				%		
3.Lender 6.MLS 9.							%		
			<b>Fract. Acre</b>	<b>Acreege/Sites</b>					
			21.Developed Pave	25	0.56	95	%	1	
			22.Undev Paved (F				%		
			23.Developed Grav				%		
			<b>Acres</b>				%		
			24.Undev Gravel (				%		
			25.Comm Base Pave				%		
			26.Comm Base Grav				%		
			27.Backlot				%		
			28.Rear Land				%		
			29.Pavement				%		
			<b>Total Acreage</b>		<b>0.56</b>				
								30.Utility R O W	
								31.Tillable	
								32.Pasture	
								33.Orchard	
								34.Softwood F&O	
								35.Mixed Wood F&O	
								36.Hardwood F&O	
								37.Softwood TG	
								38.Mixed Wood TG	
								39.Hardwood TG	
								40.Wasteland	
								41.Open Space	
								42.Mobile Home Si	
								43.Condo Site	
								44.Lot Improvemen	
								45.Subdivision Lo	
								46.Heavy Ind Sit	



## Washburn

Map Lot 016-021


Account 789

Location 430 WASHBURN ROAD

Card 1

Of 1

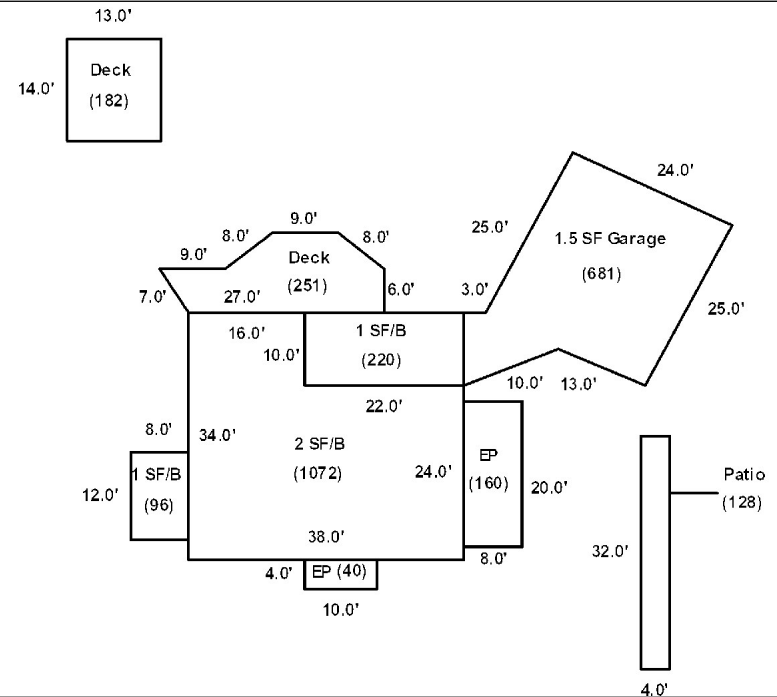
9/05/2024

Building Style <b>9 Gambrel</b>	SF Bsmt Living <b>0</b>	Layout <b>1 Typical</b>
1.Conv. 5.Garrison 9.Gambrel	Fin Bsmt Grade <b>0 0</b>	1.Typical 4. 7.
2.Ranch 6.Salt Box 10.Other	OPEN 5 OPTIONAL <b>0</b>	2.Inadeq 5. 8.
3.R Ranch 7.Contemp 11.Split	Heat Type <b>100% 1 Hot Water BB</b>	3.Poor 6. 9.
4.Cape 8.Log 12.	1.HWBB 5.FWA 9.No Heat	Attic <b>9 None</b>
Dwelling Units <b>3</b>	2.HWCI 6.GravWA 10.	1.1/4 Fin 4.Full Fin 7.
Other Units <b>0</b>	3.H Pump 7.Electric 11.	2.1/2 Fin 5.FI/Stair 8.
Stories <b>2 Two Story</b>	4.Steam 8.FI/Wall 12.	3.3/4 Fin 6. 9.None
1.1 4.1.5 7.	Cool Type <b>0% 9 None</b>	Insulation <b>4 Minimal</b>
2.2 5.1.75 8.	1.Refrig 4.W&C Air 7.	1.Full 4.Minimal 7.
3.3 6.2.5 9.	2.Evapor 5. 8.	2.Heavy 5.Partial 8.
Exterior Walls <b>2 Vinyl/Aluminum</b>	3.H Pump 6. 9.None	3.Capped 6. 9.None
1.Wood 5.Stucco 9.T-111	Kitchen Style <b>2 Typical</b>	Unfinished % <b>0%</b>
2.Vin/Al 6.Brick 10.Other	1.Modern 4.Obsolete 7.	Grade & Factor <b>3 Average 90%</b>
3.Compos. 7.Stone 11.	2.Typical 5. 8.	1.E Grade 4.B Grade 7.
4.Asbestos 8.Concrete 12.	3.Old Type 6. 9.None	2.D Grade 5.A Grade 8.SC Grade
Roof Surface <b>1 Asphalt Shingles</b>	Bath(s) Style <b>2 Typical Bath(s)</b>	3.C Grade 6.AA Grade 9.Same
1.Asphalt 4.Composit 7.	1.Modern 4.Obsolete 7.	SQFT (Footprint) <b>1072</b>
2.Slate 5.Wood 8.	2.Typical 5. 8.	Condition <b>6 Good</b>
3.Metal 6.Other 9.	3.Old Type 6. 9.None	1.Poor 4.Avg 7.V G
SF Masonry Trim <b>0</b>	# Rooms <b>8</b>	2.Fair 5.Avg+ 8.Exc
OPEN-3-CUSTOM <b>0</b>	# Bedrooms <b>3</b>	3.Avg- 6.Good 9.Same
OPEN-4-CUSTOM <b>0</b>	# Full Baths <b>2</b>	Phys. % Good <b>0%</b>
Year Built <b>1924</b>	# Half Baths <b>0</b>	Funct. % Good <b>100%</b>
Year Remodeled <b>0</b>	# Addn Fixtures <b>0</b>	Functional Code <b>9 None</b>
Foundation <b>1 Concrete</b>	# Fireplaces <b>1</b>	1.Incomp 4.Delap 7.No Power
1.Concrete 4.Wood 7.	 <p><b>TRIO</b> Software <i>A Division of Harris Computer Systems</i></p>	2.O-Built 5.Bsmt 8.LongTerm
2.C Block 5.Slab 8.		3.Damage 6.Common 9.None
3.Br/Stone 6.Piers 9.		Econ. % Good <b>100%</b>
Basement <b>4 Full Basement</b>		Economic Code <b>None</b>
1.1/4 Bmt 4.Full Bmt 7.		0.None 3.No Power 7.
2.1/2 Bmt 5.None 8.		1.Location 4.Generate 8.
3.3/4 Bmt 6. 9.None		2.Encroach 9.None 9.
Bsmt Gar # Cars <b>0</b>		Entrance Code <b>5 Estimated</b>
Wet Basement <b>2 Damp Basement</b>		1.Interior 4.Vacant 7.
1.Dry 4. 7.		2.Refusal 5.Estimate 8.
2.Damp 5. 8.	3.Informed 6.Reviewed 9.	
3.Wet 6. 9.	Information Code <b>5 Estimate</b>	
	1.Owner 4.Agent 7.	
	2.Relative 5.Estimate 8.	
	3.Tenant 6.Other 9.	

Date Inspected 10/07/2018

### Additions, Outbuildings & Improvements

Type	Year	Units	Grade	Cond	Phys.	Funct.	Sound Value
20 1 Story/Bsmt	1980	96	9 100	9	0 %	100 %	
22 Encl Frame Porch	1970	40	9 100	9	0 %	100 %	
22 Encl Frame Porch	1970	160	9 100	9	0 %	100 %	
20 1 Story/Bsmt	1970	220	9 100	9	0 %	100 %	
68 Wood Deck	1990	251	3 100	3	0 %	100 %	
82 1.5 S-Gar	1980	681	3 105	4	0 %	95 %	
62 Patio	1990	128	3 100	3	0 %	100 %	
68 Wood Deck	1990	182	3 100	3	0 %	100 %	
					%	%	
					%	%	





WONG, CHRISTOPHER G  
WONG, JENNIFER M  
103 WILLIAMS ROAD  
PRESQUE ISLE ME 04769

B6432P304

Previous Owner  
D&L RENTALS, LLC  
430 Washburn Road

Washburn ME 04786  
Sale Date: 4/10/2023

Previous Owner  
Conley, Dwayne D.  
Conley, Vicky A.  
P.O. Box 502  
Crouseville ME 04738  
Sale Date: 5/31/2016

Previous Owner  
O'Donnell, Timothy  
O'Donnell, Carolyn  
P.O. Box 396  
Crouseville ME 04738  
Sale Date: 7/14/2008

Inspection Witnessed By:

X	Date
No./Date	Description
	Date Insp.

Notes:

Washburn

Property Data			Assessment Record																																																																																																																																																																																		
Neighborhood <b>1 Neighborhood One</b>			Year	Land	Buildings	Exempt	Total																																																																																																																																																																														
Tree Growth Year <b>0</b>			2012	4,900	104,100	0	109,000																																																																																																																																																																														
1ST MORTGAGE <b>0</b>			2013	6,300	104,100	0	110,400																																																																																																																																																																														
2ND MORTGAGE <b>0</b>			2015	6,300	104,100	0	110,400																																																																																																																																																																														
Zone/Land Use <b>1 Residential</b>			2018	6,300	130,100	0	136,400																																																																																																																																																																														
Secondary Zone			2019	18,900	164,600	0	183,500																																																																																																																																																																														
Topography <b>2 Rolling</b>			2020	18,900	162,600	0	181,500																																																																																																																																																																														
1.Level 4.Below St 7.LevelBog			2021	18,900	164,600	0	183,500																																																																																																																																																																														
2.Rolling 5.Low 8.			2022	18,900	172,800	0	191,700																																																																																																																																																																														
3.Above St 6.Swampy 9.			2023	23,000	205,700	0	228,700																																																																																																																																																																														
Utilities <b>4 Drilled Well 6 Septic System</b>			2024	23,000	205,700	0	228,700																																																																																																																																																																														
1.Public 4.Dr Well 7.Cesspool																																																																																																																																																																																					
2.Water 5.Dug Well 8.																																																																																																																																																																																					
3.Sewer 6.Septic 9.None																																																																																																																																																																																					
Street <b>1 Paved</b>																																																																																																																																																																																					
1.Paved 4.Proposed 7.																																																																																																																																																																																					
2.Semi Imp 5.R/O/W 8.																																																																																																																																																																																					
3.Gravel 6. 9.None																																																																																																																																																																																					
TG PLAN YEAR <b>0</b>			<table border="1"> <thead> <tr> <th colspan="2">Front Foot</th> <th colspan="2">Effective</th> <th colspan="2">Influence</th> <th rowspan="2">Influence Codes</th> </tr> <tr> <th>Type</th> <th>Frontage</th> <th>Depth</th> <th>Factor</th> <th>Code</th> </tr> </thead> <tbody> <tr> <td>11.Regular Lot</td> <td></td> <td></td> <td>%</td> <td></td> <td>1.Unimproved</td> </tr> <tr> <td>12.Delta Triangle</td> <td></td> <td></td> <td>%</td> <td></td> <td>2.Excess Frtg</td> </tr> <tr> <td>13.Nabla Triangle</td> <td></td> <td></td> <td>%</td> <td></td> <td>3.Topography</td> </tr> <tr> <td>14.Rear Land</td> <td></td> <td></td> <td>%</td> <td></td> <td>4.Size/Shape</td> </tr> <tr> <td>15.Class I Road</td> <td></td> <td></td> <td>%</td> <td></td> <td>5.Access</td> </tr> <tr> <td></td> <td></td> <td></td> <td>%</td> <td></td> <td>6.Restriction</td> </tr> <tr> <td></td> <td></td> <td></td> <td>%</td> <td></td> <td>7.Open Space</td> </tr> <tr> <td></td> <td></td> <td></td> <td>%</td> <td></td> <td>8.View/Environ</td> </tr> <tr> <td></td> <td></td> <td></td> <td>%</td> <td></td> <td>9.Fract Share</td> </tr> <tr> <td></td> <td></td> <td></td> <td>%</td> <td></td> <td><b>Acres</b></td> </tr> <tr> <td></td> <td></td> <td></td> <td>%</td> <td></td> <td>30.Utility R O W</td> </tr> <tr> <td></td> <td></td> <td></td> <td>%</td> <td></td> <td>31.Tillable</td> </tr> <tr> <td></td> <td></td> <td></td> <td>%</td> <td></td> <td>32.Pasture</td> </tr> <tr> <td></td> <td></td> <td></td> <td>%</td> <td></td> <td>33.Orchard</td> </tr> <tr> <td></td> <td></td> <td></td> <td>%</td> <td></td> <td>34.Softwood F&amp;O</td> </tr> <tr> <td></td> <td></td> <td></td> <td>%</td> <td></td> <td>35.Mixed Wood F&amp;O</td> </tr> <tr> <td></td> <td></td> <td></td> <td>%</td> <td></td> <td>36.Hardwood F&amp;O</td> </tr> <tr> <td></td> <td></td> <td></td> <td>%</td> <td></td> <td>37.Softwood TG</td> </tr> <tr> <td></td> <td></td> <td></td> <td>%</td> <td></td> <td>38.Mixed Wood TG</td> </tr> <tr> <td></td> <td></td> <td></td> <td>%</td> <td></td> <td>39.Hardwood TG</td> </tr> <tr> <td></td> <td></td> <td></td> <td>%</td> <td></td> <td>40.Wasteland</td> </tr> <tr> <td></td> <td></td> <td></td> <td>%</td> <td></td> <td>41.Open Space</td> </tr> <tr> <td></td> <td></td> <td></td> <td>%</td> <td></td> <td>42.Mobile Home Si</td> </tr> <tr> <td></td> <td></td> <td></td> <td>%</td> <td></td> <td>43.Condo Site</td> </tr> <tr> <td></td> <td></td> <td></td> <td>%</td> <td></td> <td>44.Lot Improvemen</td> </tr> <tr> <td></td> <td></td> <td></td> <td>%</td> <td></td> <td>45.Subdivision Lo</td> </tr> <tr> <td></td> <td></td> <td></td> <td>%</td> <td></td> <td>46.Heavy Ind Sit</td> </tr> </tbody> </table>					Front Foot		Effective		Influence		Influence Codes	Type	Frontage	Depth	Factor	Code	11.Regular Lot			%		1.Unimproved	12.Delta Triangle			%		2.Excess Frtg	13.Nabla Triangle			%		3.Topography	14.Rear Land			%		4.Size/Shape	15.Class I Road			%		5.Access				%		6.Restriction				%		7.Open Space				%		8.View/Environ				%		9.Fract Share				%		<b>Acres</b>				%		30.Utility R O W				%		31.Tillable				%		32.Pasture				%		33.Orchard				%		34.Softwood F&O				%		35.Mixed Wood F&O				%		36.Hardwood F&O				%		37.Softwood TG				%		38.Mixed Wood TG				%		39.Hardwood TG				%		40.Wasteland				%		41.Open Space				%		42.Mobile Home Si				%		43.Condo Site				%		44.Lot Improvemen				%		45.Subdivision Lo				%		46.Heavy Ind Sit
Front Foot		Effective						Influence		Influence Codes																																																																																																																																																																											
Type	Frontage	Depth	Factor	Code																																																																																																																																																																																	
11.Regular Lot			%		1.Unimproved																																																																																																																																																																																
12.Delta Triangle			%		2.Excess Frtg																																																																																																																																																																																
13.Nabla Triangle			%		3.Topography																																																																																																																																																																																
14.Rear Land			%		4.Size/Shape																																																																																																																																																																																
15.Class I Road			%		5.Access																																																																																																																																																																																
			%		6.Restriction																																																																																																																																																																																
			%		7.Open Space																																																																																																																																																																																
			%		8.View/Environ																																																																																																																																																																																
			%		9.Fract Share																																																																																																																																																																																
			%		<b>Acres</b>																																																																																																																																																																																
			%		30.Utility R O W																																																																																																																																																																																
			%		31.Tillable																																																																																																																																																																																
			%		32.Pasture																																																																																																																																																																																
			%		33.Orchard																																																																																																																																																																																
			%		34.Softwood F&O																																																																																																																																																																																
			%		35.Mixed Wood F&O																																																																																																																																																																																
			%		36.Hardwood F&O																																																																																																																																																																																
			%		37.Softwood TG																																																																																																																																																																																
			%		38.Mixed Wood TG																																																																																																																																																																																
			%		39.Hardwood TG																																																																																																																																																																																
			%		40.Wasteland																																																																																																																																																																																
			%		41.Open Space																																																																																																																																																																																
			%		42.Mobile Home Si																																																																																																																																																																																
			%		43.Condo Site																																																																																																																																																																																
			%		44.Lot Improvemen																																																																																																																																																																																
			%		45.Subdivision Lo																																																																																																																																																																																
			%		46.Heavy Ind Sit																																																																																																																																																																																
Tif District # <b>0</b>			<b>Land Data</b>																																																																																																																																																																																		
<b>Sale Data</b>			<b>Front Foot</b>		<b>Square Feet</b>																																																																																																																																																																																
Sale Date <b>4/10/2023</b>			11.Regular Lot		29																																																																																																																																																																																
Price <b>625,000</b>			12.Delta Triangle		3,500																																																																																																																																																																																
Sale Type <b>2 Land &amp; Buildings</b>			13.Nabla Triangle		75																																																																																																																																																																																
1.Land 4.Mobile 7.C/I L&B			14.Rear Land		%		0																																																																																																																																																																														
2.L & B 5.Other 8.			15.Class I Road		%																																																																																																																																																																																
3.Building 6.C/I Land 9.					%																																																																																																																																																																																
Financing <b>1 Conventional</b>			<b>Square Foot</b>		<b>Acres/Sites</b>																																																																																																																																																																																
1.Convent 4.Seller 7.			16.Class II Road		21																																																																																																																																																																																
2.FHA/VA 5.Private 8.			17.Municipal Rese		0.56																																																																																																																																																																																
3.Assumed 6.Cash 9.Unknown			18.Munic Sep Lago		100																																																																																																																																																																																
Validity <b>4 Split/Assemblage</b>			19.Gravel Pit		%																																																																																																																																																																																
1.Valid 4.Split 7.Renovate			20.Industrial Bas		%																																																																																																																																																																																
2.Related 5.Partial 8.Other			<b>Fract. Acre</b>		%																																																																																																																																																																																
3.Distress 6.Exempt 9.			21.Developed Pave		%																																																																																																																																																																																
Verified <b>5 Public Record</b>			22.Undev Paved (F		%																																																																																																																																																																																
1.Buyer 4.Agent 7.Family			23.Developed Grav		%																																																																																																																																																																																
2.Seller 5.Pub Rec 8.Other			<b>Acres</b>		%																																																																																																																																																																																
3.Lender 6.MLS 9.			24.Undev Gravel (		%																																																																																																																																																																																
			25.Comm Base Pave		%																																																																																																																																																																																
			26.Comm Base Grav		%																																																																																																																																																																																
			27.Backlot		%																																																																																																																																																																																
			28.Rear Land		%																																																																																																																																																																																
			29.Pavement		%																																																																																																																																																																																
			<b>Total Acreage</b>		<b>0.56</b>																																																																																																																																																																																

## Washburn

Map Lot 016-021A


Account 788

Location 436 WASHBURN ROAD

Card 1

Of 1

9/05/2024

Building Style <b>9 Gambrel</b>	SF Bsmt Living <b>0</b>	Layout <b>1 Typical</b>
1.Conv. 5.Garrison 9.Gambrel	Fin Bsmt Grade <b>0 0</b>	1.Typical 4. 7.
2.Ranch 6.Salt Box 10.Other	OPEN 5 OPTIONAL <b>0</b>	2.Inadeq 5. 8.
3.R Ranch 7.Contemp 11.Split	Heat Type <b>100% 1 Hot Water BB</b>	3.Poor 6. 9.
4.Cape 8.Log 12.	1.HWB 5.FWA 9.No Heat	Attic <b>9 None</b>
Dwelling Units <b>7</b>	2.HWCI 6.GravWA 10.	1.1/4 Fin 4.Full Fin 7.
Other Units <b>0</b>	3.H Pump 7.Electric 11.	2.1/2 Fin 5.FI/Stair 8.
Stories <b>2 Two Story</b>	4.Steam 8.FI/Wall 12.	3.3/4 Fin 6. 9.None
1.1 4.1.5 7.	Cool Type <b>0% 9 None</b>	Insulation <b>1 Full</b>
2.2 5.1.75 8.	1.Refrig 4.W&C Air 7.	1.Full 4.Minimal 7.
3.3 6.2.5 9.	2.Evapor 5. 8.	2.Heavy 5.Partial 8.
Exterior Walls <b>4 Asbestos Siding</b>	3.H Pump 6. 9.None	3.Capped 6. 9.None
1.Wood 5.Stucco 9.T-111	Kitchen Style <b>2 Typical</b>	Unfinished % <b>0%</b>
2.Vin/Al 6.Brick 10.Other	1.Modern 4.Obsolete 7.	Grade & Factor <b>3 Average 100%</b>
3.Compos. 7.Stone 11.	2.Typical 5. 8.	1.E Grade 4.B Grade 7.
4.Asbestos 8.Concrete 12.	3.Old Type 6. 9.None	2.D Grade 5.A Grade 8.SC Grade
Roof Surface <b>3 Sheet Metal</b>	Bath(s) Style <b>2 Typical Bath(s)</b>	3.C Grade 6.AA Grade 9.Same
1.Asphalt 4.Composit 7.	1.Modern 4.Obsolete 7.	SQFT (Footprint) <b>1804</b>
2.Slate 5.Wood 8.	2.Typical 5. 8.	Condition <b>5 Above Average</b>
3.Metal 6.Other 9.	3.Old Type 6. 9.None	1.Poor 4.Avg 7.V G
SF Masonry Trim <b>0</b>	# Rooms <b>30</b>	2.Fair 5.Avg+ 8.Exc
OPEN-3-CUSTOM <b>0</b>	# Bedrooms <b>13</b>	3.Avg- 6.Good 9.Same
OPEN-4-CUSTOM <b>0</b>	# Full Baths <b>7</b>	Phys. % Good <b>0%</b>
Year Built <b>1970</b>	# Half Baths <b>0</b>	Funct. % Good <b>100%</b>
Year Remodeled <b>0</b>	# Addn Fixtures <b>4</b>	Functional Code <b>9 None</b>
Foundation <b>1 Concrete</b>	# Fireplaces <b>0</b>	1.Incomp 4.Delap 7.No Power
1.Concrete 4.Wood 7.		2.O-Built 5.Bsmt 8.LongTerm
2.C Block 5.Slab 8.		3.Damage 6.Common 9.None
3.Br/Stone 6.Piers 9.		Econ. % Good <b>100%</b>
Basement <b>4 Full Basement</b>		Economic Code <b>None</b>
1.1/4 Bmt 4.Full Bmt 7.		0.None 3.No Power 7.
2.1/2 Bmt 5.None 8.		1.Location 4.Generate 8.
3.3/4 Bmt 6. 9.None		2.Encroach 9.None 9.
Bsmt Gar # Cars <b>1</b>		Entrance Code <b>5 Estimated</b>
Wet Basement <b>1 Dry Basement</b>		1.Interior 4.Vacant 7.
1.Dry 4. 7.		2.Refusal 5.Estimate 8.
2.Damp 5. 8.	3.Informed 6.Reviewed 9.	
3.Wet 6. 9.	Information Code <b>5 Estimate</b>	
	1.Owner 4.Agent 7.	
	2.Relative 5.Estimate 8.	
	3.Tenant 6.Other 9.	

Date Inspected 10/07/2018

### Additions, Outbuildings & Improvements

Type	Year	Units	Grade	Cond	Phys.	Funct.	Sound Value
22 Encl Frame Porch	1970	128	9 100	9	0 %	100 %	
20 1 Story/Bsmt	1970	592	9 100	9	0 %	100 %	
21 Open Frame	1980	64	9 100	9	0 %	100 %	
68 Wood Deck	1980	216	3 100	3	0 %	100 %	
68 Wood Deck	1980	160	9 100	9	0 %	100 %	
24 Frame Shed	0				%	%	200
					%	%	
					%	%	
					%	%	
					%	%	
					%	%	

