

Salmon Brook Historical Society
1267 Main Street
Washburn ME 04786

B1790P118

Inspection Witnessed By:

X	Date	Date Insp.
No./Date	Description	Date Insp.

Notes:
*5-10-2019 -10% for attached shed and barn. -20% for attached shed behind barn, -15% for size obs on 1.75 SF Barn.

Washburn

Property Data			Assessment Record						
Neighborhood 1 Neighborhood One			Year	Land	Buildings	Exempt	Total		
Tree Growth Year 0			2012	4,800	94,500	99,300	0		
1ST MORTGAGE 0			2013	6,300	94,500	100,800	0		
2ND MORTGAGE 0			2015	6,300	94,500	100,800	0		
Zone/Land Use 1 Residential			2018	6,300	94,500	100,800	0		
Secondary Zone			2019	9,800	142,100	151,900	0		
Topography 1 Level			2020	9,800	142,100	151,900	0		
1.Level 4.Below St 7.LevelBog			2021	9,800	142,100	151,900	0		
2.Rolling 5.Low 8.			2022	9,800	149,200	159,000	0		
3.Above St 6.Swampy 9.			2023	13,000	177,600	190,600	0		
Utilities 2 Public Water 3 Public Sewer			2024	13,000	177,600	190,600	0		
1.Public 4.Dr Well 7.Cesspool									
2.Water 5.Dug Well 8.									
3.Sewer 6.Septic 9.None									
Street 1 Paved									
1.Paved 4.Proposed 7.									
2.Semi Imp 5.R/O/W 8.									
3.Gravel 6. 9.None									
TG PLAN YEAR 0									
Tif District # 0									
Sale Data			Land Data						
Sale Date			Front Foot	Type	Effective		Influence		Influence Codes
Price					Frontage	Depth	Factor	Code	
Sale Type			11.Regular Lot					1.Unimproved	
1.Land 4.Mobile 7.C/I L&B			12.Delta Triangle					2.Excess Frtg	
2.L & B 5.Other 8.			13.Nabla Triangle					3.Topography	
3.Building 6.C/I Land 9.			14.Rear Land					4.Size/Shape	
Financing			15.Class I Road					5.Access	
1.Convent 4.Seller 7.								6.Restriction	
2.FHA/VA 5.Private 8.								7.Open Space	
3.Assumed 6.Cash 9.Unknown								8.View/Environ	
Validity								9.Fract Share	
1.Valid 4.Split 7.Renovate			Square Foot	Square Feet					
2.Related 5.Partial 8.Other			16.Class II Road					30.Utility R O W	
3.Distress 6.Exempt 9.			17.Municipal Rese					31.Tillable	
Verified			18.Munic Sep Lago					32.Pasture	
1.Buyer 4.Agent 7.Family			19.Gravel Pit					33.Orchard	
2.Seller 5.Pub Rec 8.Other			20.Industrial Bas					34.Softwood F&O	
3.Lender 6.MLS 9.								35.Mixed Wood F&O	
			Fract. Acre	Acres/Sites				36.Hardwood F&O	
			21.Developed Pave	21	0.35	100	%	0	37.Softwood TG
			22.Undev Paved (F						38.Mixed Wood TG
			23.Developed Grav						39.Hardwood TG
			Acres						40.Wasteland
			24.Undev Gravel (41.Open Space
			25.Comm Base Pave						42.Mobile Home Si
			26.Comm Base Grav						43.Condo Site
			27.Backlot						44.Lot Improvemen
			28.Rear Land						45.Subdivision Lo
			29.Pavement						46.Heavy Ind Sit
			Total Acreage		0.35				

Washburn

Map Lot 012-052


Account 800

Location 1267 Main Street

Card 1

Of 1

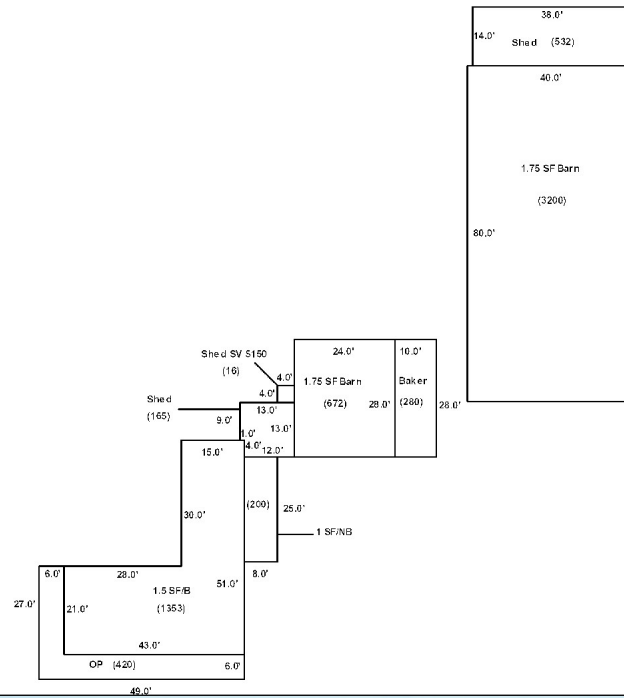
9/04/2024

Building Style	4 Cape Cod	SF Bsmt Living	0	Layout	1 Typical			
1.Conv.	5.Garrison	9.Gambrel	Fin Bsmt Grade	0 0	1.Typical	4. 7.		
2.Ranch	6.Salt Box	10.Other	OPEN 5 OPTIONAL	0	2.Inadeq	5. 8.		
3.R Ranch	7.Contemp	11.Split	Heat Type	100% 5 Forced Warm Air	3.Poor	6. 9.		
4.Cape	8.Log	12.	1.HWBB	5.FWA	9.No Heat	Attic	9 None	
Dwelling Units	1		2.HWCI	6.GravWA	10.	1.1/4 Fin	4.Full Fin	7.
Other Units	0		3.H Pump	7.Electric	11.	2.1/2 Fin	5.FI/Stair	8.
Stories	4 One & 1/2 Story		4.Steam	8.FI/Wall	12.	3.3/4 Fin	6.	9.None
1.1	4.1.5	7.	Cool Type	0% 9 None	Insulation	1 Full		
2.2	5.1.75	8.	1.Refrig	4.W&C Air	7.	1.Full	4.Minimal	7.
3.3	6.2.5	9.	2.Evapor	5.	8.	2.Heavy	5.Partial	8.
Exterior Walls	1 Wood Siding		3.H Pump	6.	9.None	3.Capped	6.	9.None
1.Wood	5.Stucco	9.T-111	Kitchen Style	2 Typical		Unfinished %	0%	
2.Vin/Al	6.Brick	10.Other	1.Modern	4.Obsolete	7.	Grade & Factor	2 Fair 115%	
3.Compos.	7.Stone	11.	2.Typical	5.	8.	1.E Grade	4.B Grade	7.
4.Asbestos	8.Concrete	12.	3.Old Type	6.	9.None	2.D Grade	5.A Grade	8.SC Grade
Roof Surface	1 Asphalt Shingles		Bath(s) Style	2 Typical Bath(s)		3.C Grade	6.AA Grade	9.Same
1.Asphalt	4.Composit	7.	1.Modern	4.Obsolete	7.	SQFT (Footprint) 1353		
2.Slate	5.Wood	8.	2.Typical	5.	8.	Condition	6 Good	
3.Metal	6.Other	9.	3.Old Type	6.	9.None	1.Poor	4.Avg	7.V G
SF Masonry Trim	0		# Rooms	8		2.Fair	5.Avg+	8.Exc
OPEN-3-CUSTOM	0		# Bedrooms	4		3.Avg-	6.Good	9.Same
OPEN-4-CUSTOM	0		# Full Baths	1		Phys. % Good	0%	
Year Built	1900		# Half Baths	1		Funct. % Good	100%	
Year Remodeled	0		# Addn Fixtures	0		Functional Code	9 None	
Foundation	3 Brick &/or Stone		# Fireplaces	1		1.Incomp	4.Delap	7.No Power
1.Concrete	4.Wood	7.						
2.C Block	5.Slab	8.						
3.Br/Stone	6.Piers	9.						
Basement	4 Full Basement							
1.1/4 Bmt	4.Full Bmt	7.						
2.1/2 Bmt	5.None	8.						
3.3/4 Bmt	6.	9.None						
Bsmt Gar # Cars	0							
Wet Basement	1 Dry Basement							
1.Dry	4.	7.						
2.Damp	5.	8.						
3.Wet	6.	9.						

Date Inspected 10/27/2018

Additions, Outbuildings & Improvements

Type	Year	Units	Grade	Cond	Phys.	Funct.	Sound Value
21 Open Frame	1950	420	3 100	5	0 %	100 %	
1 One Story Frame	1940	200	3 90	5	0 %	100 %	
24 Frame Shed	1940	165	2 115	4	0 %	90 %	
60 2 Story Barn	1940	672	3 90	5	0 %	90 %	
58 Baker	1940	280	3 100	4	0 %	100 %	
116 1.75 Story Barn	1940	3200	3 90	5	0 %	85 %	
24 Frame Shed	1940	532	2 115	4	0 %	80 %	
24 Frame Shed	0				%	%	150
					%	%	
					%	%	



Washburn

Map Lot 012-053


Account 59

Location 14 WILDER STREET

Card 1

Of 1

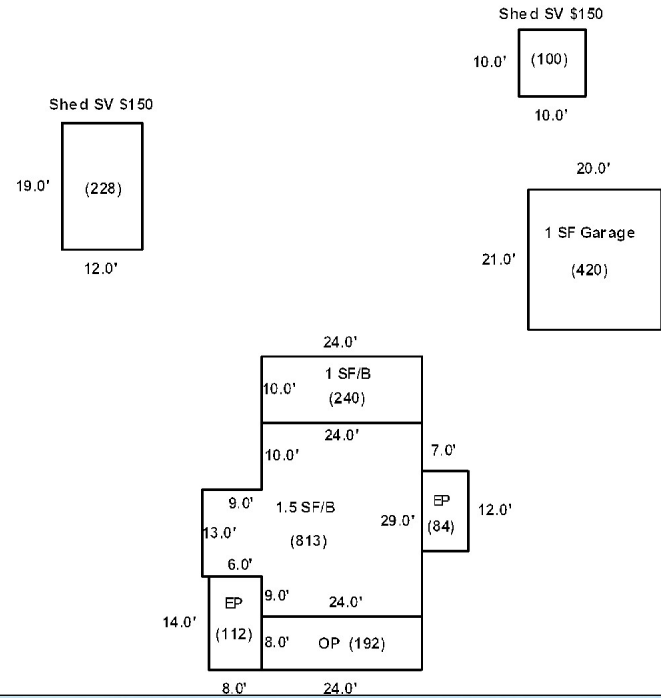
9/04/2024

Building Style 4 Cape Cod	SF Bsmt Living 0	Layout 1 Typical
1.Conv. 5.Garrison 9.Gambrel	Fin Bsmt Grade 0 0	1.Typical 4. 7.
2.Ranch 6.Salt Box 10.Other	OPEN 5 OPTIONAL 0	2.Inadeq 5. 8.
3.R Ranch 7.Contemp 11.Split	Heat Type 100% 5 Forced Warm Air	3.Poor 6. 9.
4.Cape 8.Log 12.	1.HWBB 5.FWA 9.No Heat	Attic 9 None
Dwelling Units 1	2.HWCI 6.GravWA 10.	1.1/4 Fin 4.Full Fin 7.
Other Units 0	3.H Pump 7.Electric 11.	2.1/2 Fin 5.FI/Stair 8.
Stories 4 One & 1/2 Story	4.Steam 8.FI/Wall 12.	3.3/4 Fin 6. 9.None
1.1 4.1.5 7.	Cool Type 0% 9 None	Insulation 4 Minimal
2.2 5.1.75 8.	1.Refrig 4.W&C Air 7.	1.Full 4.Minimal 7.
3.3 6.2.5 9.	2.Evapor 5. 8.	2.Heavy 5.Partial 8.
Exterior Walls 1 Wood Siding	3.H Pump 6. 9.None	3.Capped 6. 9.None
1.Wood 5.Stucco 9.T-111	Kitchen Style 2 Typical	Unfinished % 0%
2.Vin/Al 6.Brick 10.Other	1.Modern 4.Obsolete 7.	Grade & Factor 2 Fair 110%
3.Compos. 7.Stone 11.	2.Typical 5. 8.	1.E Grade 4.B Grade 7.
4.Asbestos 8.Concrete 12.	3.Old Type 6. 9.None	2.D Grade 5.A Grade 8.SC Grade
Roof Surface 3 Sheet Metal	Bath(s) Style 2 Typical Bath(s)	3.C Grade 6.AA Grade 9.Same
1.Asphalt 4.Composit 7.	1.Modern 4.Obsolete 7.	SQFT (Footprint) 813
2.Slate 5.Wood 8.	2.Typical 5. 8.	Condition 3 Below Average
3.Metal 6.Other 9.	3.Old Type 6. 9.None	1.Poor 4.Avg 7.V G
SF Masonry Trim 0	# Rooms 6	2.Fair 5.Avg+ 8.Exc
OPEN-3-CUSTOM 0	# Bedrooms 3	3.Avg- 6.Good 9.Same
OPEN-4-CUSTOM 0	# Full Baths 1	Phys. % Good 0%
Year Built 1940	# Half Baths 1	Funct. % Good 90%
Year Remodeled 0	# Addn Fixtures 0	Functional Code 4 Delapidation
Foundation 1 Concrete	# Fireplaces 0	1.Incomp 4.Delap 7.No Power
1.Concrete 4.Wood 7.		2.O-Built 5.Bsmt 8.LongTerm
2.C Block 5.Slab 8.		3.Damage 6.Common 9.None
3.Br/Stone 6.Piers 9.		Econ. % Good 100%
Basement 4 Full Basement		Economic Code None
1.1/4 Bmt 4.Full Bmt 7.		0.None 3.No Power 7.
2.1/2 Bmt 5.None 8.		1.Location 4.Generate 8.
3.3/4 Bmt 6. 9.None		2.Encroach 9.None 9.
Bsmt Gar # Cars 0		Entrance Code 5 Estimated
Wet Basement 1 Dry Basement		1.Interior 4.Vacant 7.
1.Dry 4. 7.		2.Refusal 5.Estimate 8.
2.Damp 5. 8.	3.Informed 6.Reviewed 9.	
3.Wet 6. 9.	Information Code 5 Estimate	
	1.Owner 4.Agent 7.	
	2.Relative 5.Estimate 8.	
	3.Tenant 6.Other 9.	

Date Inspected 10/27/2018

Additions, Outbuildings & Improvements

Type	Year	Units	Grade	Cond	Phys.	Funct.	Sound Value
21 Open Frame	1940	192	9 100	9	0 %	100 %	
22 Encl Frame Porch	1940	112	9 100	9	0 %	90 %	
22 Encl Frame Porch	1940	84	9 100	9	0 %	90 %	
20 1 Story/Bsmt	1940	240	9 100	9	0 %	90 %	
23 Frame Garage	1940	420	3 95	3	0 %	100 %	
24 Frame Shed	0				%	%	150
24 Frame Shed	0				%	%	150
					%	%	
					%	%	
					%	%	
					%	%	



KECK, MARIANNE
16 WILDER STREET
WASHBURN ME 04786

B5953P134 B5991P286 B6006P46

Previous Owner
WILMINGTON SAVINGS FUND SOCIETY, FSB AS TRUSTEE OF
STANWICH MORTGAGE LOAN TRUST A
1600 SOUTH DOUGLASS ROAD, SUITE 200-A
ANAHEIM CA 92806
Sale Date: 4/01/2020

Previous Owner
Miller, James F.
13 Liberty Avenue

Gray ME 04039
Sale Date: 4/12/2013

Previous Owner
Conley, Brent
Conley, Margo
P.O. Box 442
Washburn ME 04786
Sale Date: 7/21/2008

Inspection Witnessed By:

X	Date
No./Date	Description
	Date Insp.

Notes:
*1-28-2019 Dwelling appeared vacant at time of reval.

Washburn

Property Data			Assessment Record						
Neighborhood 1 Neighborhood One			Year	Land	Buildings	Exempt	Total		
Tree Growth Year 0			2012	2,500	71,100	0	73,600		
1ST MORTGAGE 0			2013	3,200	71,100	0	74,300		
2ND MORTGAGE 0			2015	3,200	71,100	0	74,300		
Zone/Land Use 1 Residential			2018	3,200	71,100	0	74,300		
Secondary Zone			2019	6,800	51,500	0	58,300		
Topography 1 Level			2020	6,800	51,500	0	58,300		
1.Level 4.Below St 7.LevelBog			2021	6,800	51,500	0	58,300		
2.Rolling 5.Low 8.			2022	6,800	54,100	25,000	35,900		
3.Above St 6.Swampy 9.			2023	9,100	64,400	25,000	48,500		
Utilities 2 Public Water 3 Public Sewer			2024	9,100	64,400	25,000	48,500		
1.Public 4.Dr Well 7.Cesspool									
2.Water 5.Dug Well 8.									
3.Sewer 6.Septic 9.None									
Street 1 Paved									
1.Paved 4.Proposed 7.									
2.Semi Imp 5.R/O/W 8.									
3.Gravel 6. 9.None									
TG PLAN YEAR 0									
Tif District # 0									
Sale Data			Land Data						
Sale Date 4/01/2020			Front Foot	Type	Effective		Influence		Influence Codes
Price 19,900					Frontage	Depth	Factor	Code	
Sale Type 2 Land & Buildings			11.Regular Lot					1.Unimproved	
1.Land 4.Mobile 7.C/I L&B			12.Delta Triangle			%		2.Excess Frtg	
2.L & B 5.Other 8.			13.Nabla Triangle			%		3.Topography	
3.Building 6.C/I Land 9.			14.Rear Land			%		4.Size/Shape	
Financing 9 Unknown			15.Class I Road			%		5.Access	
1.Convent 4.Seller 7.						%		6.Restriction	
2.FHA/VA 5.Private 8.						%		7.Open Space	
3.Assumed 6.Cash 9.Unknown						%		8.View/Environ	
Validity 3 Distressed Sale						%		9.Fract Share	
1.Valid 4.Split 7.Renovate			Square Foot	Square Feet				Acres	
2.Related 5.Partial 8.Other			16.Class II Road			%		30.Utility R O W	
3.Distress 6.Exempt 9.			17.Municipal Rese			%		31.Tillable	
Verified 5 Public Record			18.Munic Sep Lago			%		32.Pasture	
1.Buyer 4.Agent 7.Family			19.Gravel Pit			%		33.Orchard	
2.Seller 5.Pub Rec 8.Other			20.Industrial Bas			%		34.Softwood F&O	
3.Lender 6.MLS 9.						%		35.Mixed Wood F&O	
			Fract. Acre			%		36.Hardwood F&O	
			21.Developed Pave	21	0.17	100	%	0	
			22.Undev Paved (F			%		37.Softwood TG	
			23.Developed Grav			%		38.Mixed Wood TG	
			Acres			%		39.Hardwood TG	
			24.Undev Gravel (%		40.Wasteland	
			25.Comm Base Pave			%		41.Open Space	
			26.Comm Base Grav			%		42.Mobile Home Si	
			27.Backlot			%		43.Condo Site	
			28.Rear Land			%		44.Lot Improvemen	
			29.Pavement			%		45.Subdivision Lo	
			Total Acreage		0.17			46.Heavy Ind Sit	

Washburn

Map Lot 012-054

Account 260

Location 16 WILDER STREET

Card 1 Of 1 9/04/2024

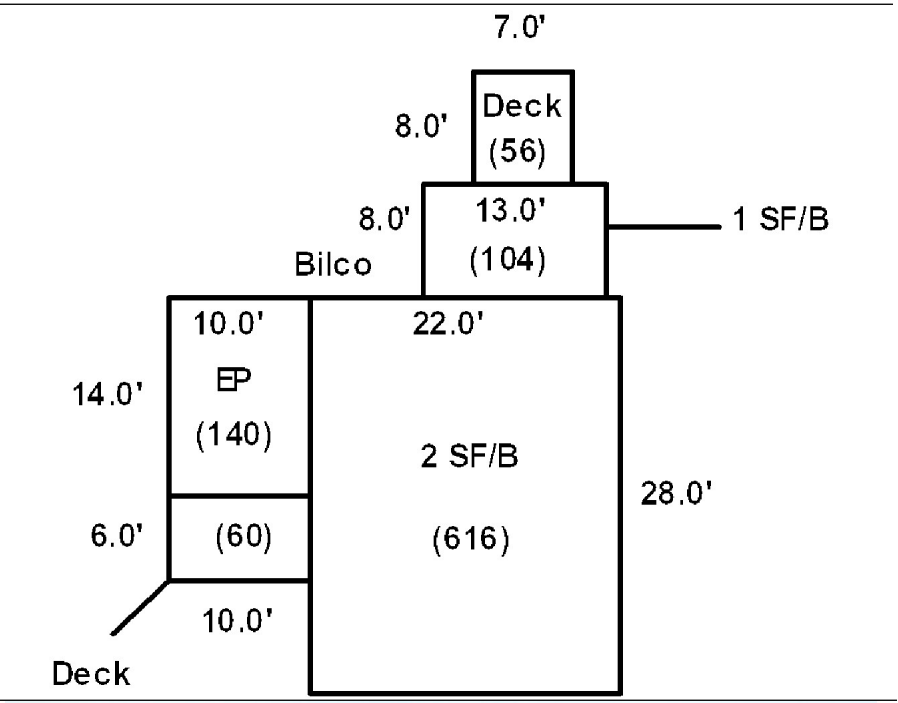
Building Style 1 Conventional	SF Bsmt Living 0	Layout 1 Typical
1.Conv. 5.Garrison 9.Gambrel	Fin Bsmt Grade 0 0	1.Typical 4. 7.
2.Ranch 6.Salt Box 10.Other	OPEN 5 OPTIONAL 0	2.Inadeq 5. 8.
3.R Ranch 7.Contemp 11.Split	Heat Type 100% 5 Forced Warm Air	3.Poor 6. 9.
4.Cape 8.Log 12.	1.HWBB 5.FWA 9.No Heat	Attic 9 None
Dwelling Units 1	2.HWCI 6.GravWA 10.	1.1/4 Fin 4.Full Fin 7.
Other Units 0	3.H Pump 7.Electric 11.	2.1/2 Fin 5.FI/Stair 8.
Stories 2 Two Story	4.Steam 8.FI/Wall 12.	3.3/4 Fin 6. 9.None
1.1 4.1.5 7.	Cool Type 0% 9 None	Insulation 1 Full
2.2 5.1.75 8.	1.Refrig 4.W&C Air 7.	1.Full 4.Minimal 7.
3.3 6.2.5 9.	2.Evapor 5. 8.	2.Heavy 5.Partial 8.
Exterior Walls 1 Wood Siding	3.H Pump 6. 9.None	3.Capped 6. 9.None
1.Wood 5.Stucco 9.T-111	Kitchen Style 2 Typical	Unfinished % 0%
2.Vin/Al 6.Brick 10.Other	1.Modern 4.Obsolete 7.	Grade & Factor 2 Fair 110%
3.Compos. 7.Stone 11.	2.Typical 5. 8.	1.E Grade 4.B Grade 7.
4.Asbestos 8.Concrete 12.	3.Old Type 6. 9.None	2.D Grade 5.A Grade 8.SC Grade
Roof Surface 1 Asphalt Shingles	Bath(s) Style 2 Typical Bath(s)	3.C Grade 6.AA Grade 9.Same
1.Asphalt 4.Composit 7.	1.Modern 4.Obsolete 7.	SQFT (Footprint) 616
2.Slate 5.Wood 8.	2.Typical 5. 8.	Condition 5 Above Average
3.Metal 6.Other 9.	3.Old Type 6. 9.None	1.Poor 4.Avg 7.V G
SF Masonry Trim 0	# Rooms 6	2.Fair 5.Avg+ 8.Exc
OPEN-3-CUSTOM 0	# Bedrooms 3	3.Avg- 6.Good 9.Same
OPEN-4-CUSTOM 0	# Full Baths 1	Phys. % Good 0%
Year Built 1950	# Half Baths 1	Funct. % Good 100%
Year Remodeled 0	# Addn Fixtures 0	Functional Code 9 None
Foundation 1 Concrete	# Fireplaces 0	1.Incomp 4.Delap 7.No Power
1.Concrete 4.Wood 7.		2.O-Built 5.Bsmt 8.LongTerm
2.C Block 5.Slab 8.		3.Damage 6.Common 9.None
3.Br/Stone 6.Piers 9.		Econ. % Good 100%
Basement 4 Full Basement		Economic Code None
1.1/4 Bmt 4.Full Bmt 7.		0.None 3.No Power 7.
2.1/2 Bmt 5.None 8.		1.Location 4.Generate 8.
3.3/4 Bmt 6. 9.None		2.Encroach 9.None 9.
Bsmt Gar # Cars 0		Entrance Code 5 Estimated
Wet Basement 1 Dry Basement		1.Interior 4.Vacant 7.
1.Dry 4. 7.		2.Refusal 5.Estimate 8.
2.Damp 5. 8.		3.Informed 6.Reviewed 9.
3.Wet 6. 9.		Information Code 5 Estimate
		1.Owner 4.Agent 7.
		2.Relative 5.Estimate 8.
		3.Tenant 6.Other 9.



Date Inspected 10/27/2018

Additions, Outbuildings & Improvements

Type	Year	Units	Grade	Cond	Phys.	Funct.	Sound Value
68 Wood Deck	1980	60	3 100	3	0 %	100 %	
22 Encl Frame Porch	1950	140	3 90	4	0 %	100 %	
20 1 Story/Bsmt	1950	104	9 100	9	0 %	100 %	
68 Wood Deck	1980	56	3 95	3	0 %	100 %	
					%	%	
					%	%	
					%	%	
					%	%	
					%	%	
					%	%	
					%	%	



Washburn

Map Lot 012-055

Account 1084

Location 18 Wilder Street

Card 1 Of 1 9/04/2024

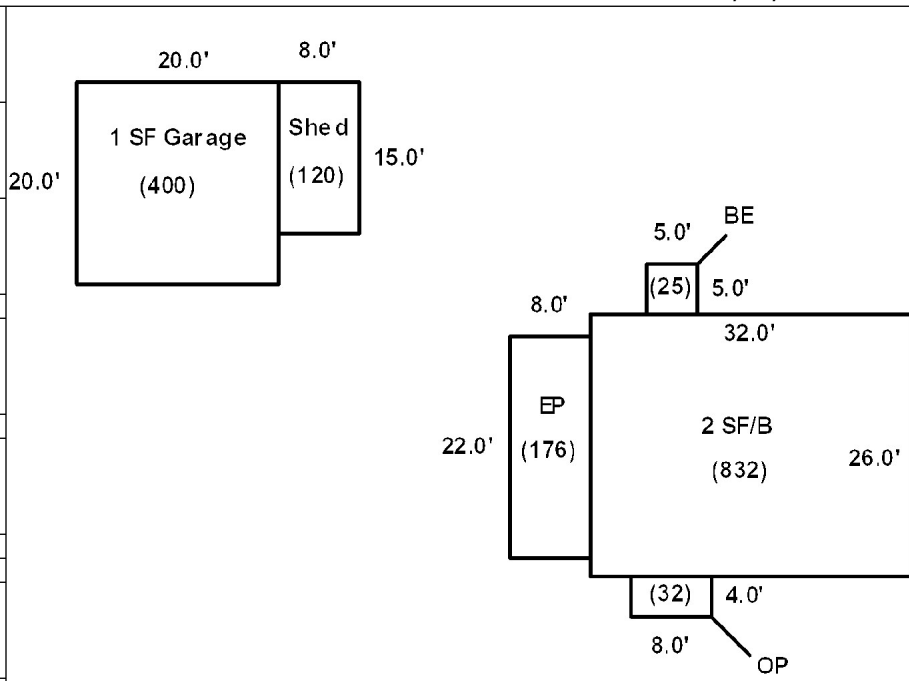
Building Style 9 Gambrel	SF Bsmt Living 0	Layout 1 Typical
1.Conv. 5.Garrison 9.Gambrel	Fin Bsmt Grade 0 0	1.Typical 4. 7.
2.Ranch 6.Salt Box 10.Other	OPEN 5 OPTIONAL 0	2.Inadeq 5. 8.
3.R Ranch 7.Contemp 11.Split	Heat Type 100% 5 Forced Warm Air	3.Poor 6. 9.
4.Cape 8.Log 12.	1.HWBB 5.FWA 9.No Heat	Attic 9 None
Dwelling Units 1	2.HWCI 6.GravWA 10.	1.1/4 Fin 4.Full Fin 7.
Other Units 0	3.H Pump 7.Electric 11.	2.1/2 Fin 5.FI/Stair 8.
Stories 2 Two Story	4.Steam 8.FI/Wall 12.	3.3/4 Fin 6. 9.None
1.1 4.1.5 7.	Cool Type 0% 9 None	Insulation 1 Full
2.2 5.1.75 8.	1.Refrig 4.W&C Air 7.	1.Full 4.Minimal 7.
3.3 6.2.5 9.	2.Evapor 5. 8.	2.Heavy 5.Partial 8.
Exterior Walls 1 Wood Siding	3.H Pump 6. 9.None	3.Capped 6. 9.None
1.Wood 5.Stucco 9.T-111	Kitchen Style 2 Typical	Unfinished % 0%
2.Vin/Al 6.Brick 10.Other	1.Modern 4.Obsolete 7.	Grade & Factor 3 Average 95%
3.Compos. 7.Stone 11.	2.Typical 5. 8.	1.E Grade 4.B Grade 7.
4.Asbestos 8.Concrete 12.	3.Old Type 6. 9.None	2.D Grade 5.A Grade 8.SC Grade
Roof Surface 3 Sheet Metal	Bath(s) Style 2 Typical Bath(s)	3.C Grade 6.AA Grade 9.Same
1.Asphalt 4.Composit 7.	1.Modern 4.Obsolete 7.	SQFT (Footprint) 832
2.Slate 5.Wood 8.	2.Typical 5. 8.	Condition 6 Good
3.Metal 6.Other 9.	3.Old Type 6. 9.None	1.Poor 4.Avg 7.V G
SF Masonry Trim 0	# Rooms 8	2.Fair 5.Avg+ 8.Exc
OPEN-3-CUSTOM 0	# Bedrooms 4	3.Avg- 6.Good 9.Same
OPEN-4-CUSTOM 0	# Full Baths 1	Phys. % Good 0%
Year Built 1950	# Half Baths 0	Funct. % Good 100%
Year Remodeled 0	# Addn Fixtures 0	Functional Code 9 None
Foundation 1 Concrete	# Fireplaces 1	1.Incomp 4.Delap 7.No Power
1.Concrete 4.Wood 7.		2.O-Built 5.Bsmt 8.LongTerm
2.C Block 5.Slab 8.		3.Damage 6.Common 9.None
3.Br/Stone 6.Piers 9.		Econ. % Good 100%
Basement 4 Full Basement		Economic Code None
1.1/4 Bmt 4.Full Bmt 7.		0.None 3.No Power 7.
2.1/2 Bmt 5.None 8.		1.Location 4.Generate 8.
3.3/4 Bmt 6. 9.None		2.Encroach 9.None 9.
Bsmt Gar # Cars 0		Entrance Code 3 Information Only
Wet Basement 1 Dry Basement		1.Interior 4.Vacant 7.
1.Dry 4. 7.		2.Refusal 5.Estimate 8.
2.Damp 5. 8.		3.Informed 6.Reviewed 9.
3.Wet 6. 9.		Information Code 2 Relative
		1.Owner 4.Agent 7.
		2.Relative 5.Estimate 8.
		3.Tenant 6.Other 9.



Date Inspected 11/12/2018

Additions, Outbuildings & Improvements

Type	Year	Units	Grade	Cond	Phys.	Funct.	Sound Value
21 Open Frame	1950	32	3 100	5	0 %	100 %	
22 Encl Frame Porch	1950	176	3 100	5	0 %	100 %	
40 Basement Entry	1950	25	9 100	9	0 %	100 %	
23 Frame Garage	1950	400	3 100	5	0 %	100 %	
24 Frame Shed	1950	120	3 95	4	0 %	80 %	
					%	%	
					%	%	
					%	%	
					%	%	
					%	%	
					%	%	
					%	%	
					%	%	



Washburn

Map Lot 012-056

Account 228

Location 22 WILDER STREET

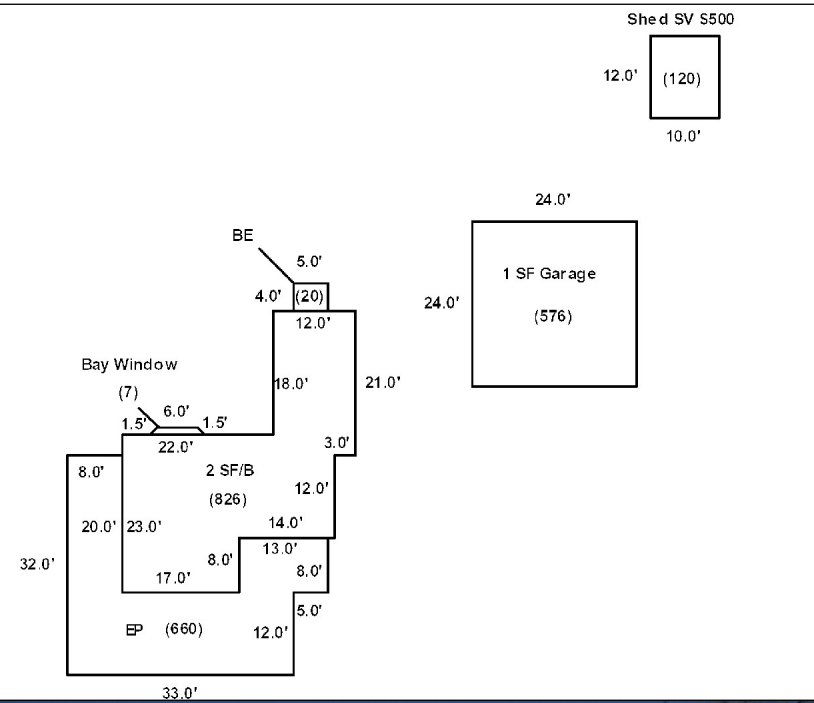
Card 1 Of 1 9/04/2024

Building Style 1 Conventional	SF Bsmt Living 0	Layout 1 Typical
1.Conv. 5.Garrison 9.Gambrel	Fin Bsmt Grade 0 0	1.Typical 4. 7.
2.Ranch 6.Salt Box 10.Other	OPEN 5 OPTIONAL 0	2.Inadeq 5. 8.
3.R Ranch 7.Contemp 11.Split	Heat Type 100% 5 Forced Warm Air	3.Poor 6. 9.
4.Cape 8.Log 12.	1.HWBB 5.FWA 9.No Heat	Attic 9 None
Dwelling Units 1	2.HWCI 6.GravWA 10.	1.1/4 Fin 4.Full Fin 7.
Other Units 0	3.H Pump 7.Electric 11.	2.1/2 Fin 5.FI/Stair 8.
Stories 2 Two Story	4.Steam 8.FI/Wall 12.	3.3/4 Fin 6. 9.None
1.1 4.1.5 7.	Cool Type 0% 9 None	Insulation 4 Minimal
2.2 5.1.75 8.	1.Refrig 4.W&C Air 7.	1.Full 4.Minimal 7.
3.3 6.2.5 9.	2.Evapor 5. 8.	2.Heavy 5.Partial 8.
Exterior Walls 1 Wood Siding	3.H Pump 6. 9.None	3.Capped 6. 9.None
1.Wood 5.Stucco 9.T-111	Kitchen Style 2 Typical	Unfinished % 0%
2.Vin/Al 6.Brick 10.Other	1.Modern 4.Obsolete 7.	Grade & Factor 2 Fair 105%
3.Compos. 7.Stone 11.	2.Typical 5. 8.	1.E Grade 4.B Grade 7.
4.Asbestos 8.Concrete 12.	3.Old Type 6. 9.None	2.D Grade 5.A Grade 8.SC Grade
Roof Surface 3 Sheet Metal	Bath(s) Style 2 Typical Bath(s)	3.C Grade 6.AA Grade 9.Same
1.Asphalt 4.Composit 7.	1.Modern 4.Obsolete 7.	SQFT (Footprint) 826
2.Slate 5.Wood 8.	2.Typical 5. 8.	Condition 4 Average
3.Metal 6.Other 9.	3.Old Type 6. 9.None	1.Poor 4.Avg 7.V G
SF Masonry Trim 0	# Rooms 5	2.Fair 5.Avg+ 8.Exc
OPEN-3-CUSTOM 0	# Bedrooms 3	3.Avg- 6.Good 9.Same
OPEN-4-CUSTOM 0	# Full Baths 2	Phys. % Good 0%
Year Built 1910	# Half Baths 1	Funct. % Good 100%
Year Remodeled 0	# Addn Fixtures 0	Functional Code 9 None
Foundation 1 Concrete	# Fireplaces 0	1.Incomp 4.Delap 7.No Power
1.Concrete 4.Wood 7.	 <p>TRIO Software A Division of Harris Computer Systems</p>	2.O-Built 5.Bsmt 8.LongTerm
2.C Block 5.Slab 8.		Econ. % Good 100%
3.Br/Stone 6.Piers 9.		Economic Code None
Basement 3 3/4 Basement		0.None 3.No Power 7.
1.1/4 Bmt 4.Full Bmt 7.		1.Location 4.Generate 8.
2.1/2 Bmt 5.None 8.		2.Encroach 9.None 9.
3.3/4 Bmt 6. 9.None		Entrance Code 1 Interior Inspect
Bsmt Gar # Cars 0		1.Interior 4.Vacant 7.
Wet Basement 2 Damp Basement		2.Refusal 5.Estimate 8.
1.Dry 4. 7.		3.Informed 6.Reviewed 9.
2.Damp 5. 8.	Information Code 1 Owner	
3.Wet 6. 9.	1.Owner 4.Agent 7.	
	2.Relative 5.Estimate 8.	
	3.Tenant 6.Other 9.	

Date Inspected 11/12/2018

Additions, Outbuildings & Improvements

Type	Year	Units	Grade	Cond	Phys.	Funct.	Sound Value
22 Encl Frame Porch	1910	660	2 110	4	0 %	100 %	
25 Frame Bay	1910	7	9 100	9	0 %	100 %	
40 Basement Entry	1910	20	2 110	4	0 %	100 %	
23 Frame Garage	1970	576	3 95	4	0 %	100 %	
24 Frame Shed	0				%	%	500
					%	%	
					%	%	
					%	%	
					%	%	
					%	%	
					%	%	
					%	%	



Washburn

Map Lot 012-059

Account 643

Location 34 WILDER STREET

Card 1

Of 1

9/04/2024

Building Style 1 Conventional 1.Conv. 5.Garrison 9.Gambrel 2.Ranch 6.Salt Box 10.Other 3.R Ranch 7.Contemp 11.Split 4.Cape 8.Log 12.	SF Bsmt Living 0 Fin Bsmt Grade 0 0 OPEN 5 OPTIONAL 0 Heat Type 100% 5 Forced Warm Air 1.HWBB 5.FWA 9.No Heat 2.HWCI 6.GravWA 10. 3.H Pump 7.Electric 11. 4.Steam 8.Fi/Wall 12.	Layout 1 Typical 1.Typical 4. 7. 2.Inadeq 5. 8. 3.Poor 6. 9. Attic 9 None 1.1/4 Fin 4.Full Fin 7. 2.1/2 Fin 5.Fi/Stair 8. 3.3/4 Fin 6. 9.None	<div style="border: 1px solid black; padding: 5px; width: 100px; margin: 0 auto;"> 18.0' 1 SF Garage (450) </div> <div style="border: 1px solid black; padding: 5px; width: 100px; margin: 0 auto; position: absolute; top: 100px; left: 50px;"> 25.0' </div> <div style="border: 1px solid black; padding: 5px; width: 100px; margin: 0 auto; position: absolute; top: 180px; left: 80px;"> 14.0' Shed (308) </div> <div style="border: 1px solid black; padding: 5px; width: 100px; margin: 0 auto; position: absolute; top: 280px; left: 70px;"> 30.0' EP (240) </div> <div style="border: 1px solid black; padding: 5px; width: 100px; margin: 0 auto; position: absolute; top: 280px; left: 760px;"> 24.0' 2 SF/B (744) </div> <div style="border: 1px solid black; padding: 5px; width: 100px; margin: 0 auto; position: absolute; top: 450px; left: 720px;"> 11.5' OP (224) </div> <div style="border: 1px solid black; padding: 5px; width: 100px; margin: 0 auto; position: absolute; top: 450px; left: 780px;"> 32.0' OP (224) </div> <div style="border: 1px solid black; padding: 5px; width: 100px; margin: 0 auto; position: absolute; top: 450px; left: 860px;"> 8.0' </div> <div style="border: 1px solid black; padding: 5px; width: 100px; margin: 0 auto; position: absolute; top: 500px; left: 790px;"> 24.0' </div>	
Dwelling Units 1 Other Units 0 Stories 2 Two Story 1.1 4.1.5 7. 2.2 5.1.75 8. 3.3 6.2.5 9.	Cool Type 0% 9 None 1.Refrig 4.W&C Air 7. 2.Evapor 5. 8. 3.H Pump 6. 9.None	Insulation 1 Full 1.Full 4.Minimal 7. 2.Heavy 5.Partial 8. 3.Capped 6. 9.None		
Exterior Walls 4 Asbestos Siding 1.Wood 5.Stucco 9.T-111 2.Vin/Al 6.Brick 10.Other 3.Compos. 7.Stone 11. 4.Asbestos 8.Concrete 12.	Kitchen Style 2 Typical 1.Modern 4.Obsolete 7. 2.Typical 5. 8. 3.Old Type 6. 9.None	Unfinished % 0% Grade & Factor 2 Fair 110% 1.E Grade 4.B Grade 7. 2.D Grade 5.A Grade 8.SC Grade 3.C Grade 6.AA Grade 9.Same		
Roof Surface 1 Asphalt Shingles 1.Asphalt 4.Composit 7. 2.Slate 5.Wood 8. 3.Metal 6.Other 9.	Bath(s) Style 2 Typical Bath(s) 1.Modern 4.Obsolete 7. 2.Typical 5. 8. 3.Old Type 6. 9.None	SQFT (Footprint) 744 Condition 5 Above Average 1.Poor 4.Avg 7.V G 2.Fair 5.Avg+ 8.Exc 3.Avg- 6.Good 9.Same		
SF Masonry Trim 0 OPEN-3-CUSTOM 0 OPEN-4-CUSTOM 0 Year Built 1920 Year Remodeled 0	# Rooms 5 # Bedrooms 2 # Full Baths 2 # Half Baths 0 # Addn Fixtures 0 # Fireplaces 0	Phys. % Good 0% Funct. % Good 100% Functional Code 9 None 1.Incomp 4.Delap 7.No Power 2.O-Built 5.Bsmt 8.LongTerm 3.Damage 6.Common 9.None		
Foundation 1 Concrete 1.Concrete 4.Wood 7. 2.C Block 5.Slab 8. 3.Br/Stone 6.Piers 9.		Econ. % Good 100% Economic Code None 0.None 3.No Power 7. 1.Location 4.Generate 8. 2.Encroach 9.None 9.		
Basement 4 Full Basement 1.1/4 Bmt 4.Full Bmt 7. 2.1/2 Bmt 5.None 8. 3.3/4 Bmt 6. 9.None		Entrance Code 1 Interior Inspect 1.Interior 4.Vacant 7. 2.Refusal 5.Estimate 8. 3.Informed 6.Reviewed 9.		Information Code 1 Owner 1.Owner 4.Agent 7. 2.Relative 5.Estimate 8. 3.Tenant 6.Other 9.
Bsmt Gar # Cars 0 Wet Basement 2 Damp Basement 1.Dry 4. 7. 2.Damp 5. 8. 3.Wet 6. 9.				

Date Inspected 11/12/2018

Additions, Outbuildings & Improvements

Type	Year	Units	Grade	Cond	Phys.	Funct.	Sound Value
21 Open Frame	1920	224	3 100	5	0 %	100 %	
24 Frame Shed	1950	308	3 95	4	0 %	90 %	
22 Encl Frame Porch	1920	240	3 95	5	0 %	100 %	
23 Frame Garage	1940	450	3 95	4	0 %	100 %	
					%	%	
					%	%	
					%	%	
					%	%	
					%	%	
					%	%	
					%	%	



Town of Washburn
1287 MAIN STREET
WASHBURN ME 04786

			Property Data			Assessment Record															
			Neighborhood	1 Neighborhood One		Year	Land	Buildings	Exempt	Total											
			Tree Growth Year		0	2012	900	0	900	0											
			1ST MORTGAGE		0	2013	1,200	0	1,200	0											
			2ND MORTGAGE		0	2015	1,200	0	1,200	0											
			Zone/Land Use		1 Residential			2018	1,200	0	1,200	0									
			Secondary Zone			2019	2,200	0	2,200	0											
			Topography		1 Level			2020	2,200	0	2,200	0									
			1.Level		4.Below St	7.LevelBog	2022	2,200	0	2,200	0										
			2.Rolling		5.Low	8.	2023	2,700	0	2,700	0										
			3.Above St		6.Swampy	9.	2024	2,700	0	2,700	0										
			Utilities																		
			1.Public		4.Dr Well	7.Cesspool															
			2.Water		5.Dug Well	8.															
			3.Sewer		6.Septic	9.None															
			Street		1 Paved																
			1.Paved		4.Proposed	7.	Land Data														
			2.Semi Imp		5.R/O/W	8.															
			3.Gravel		6.	9.None	Front Foot		Type		Effective		Influence		Influence Codes						
			TG PLAN YEAR		0			11.Regular Lot				Frontage		Depth		Factor		Code			
Inspection Witnessed By:			Tif District #		0			12.Delta Triangle								1.Unimproved					
			Sale Data						13.Nabla Triangle								2.Excess Frtg				
X			Sale Date					14.Rear Land								3.Topography					
			Price					15.Class I Road										4.Size/Shape			
No./Date			Description		Date Insp.			16.Class II Road								5.Access					
			Sale Type					17.Municipal Rese										6.Restriction			
			1.Land		4.Mobile	7.C/I L&B	18.Munic Sep Lago										7.Open Space				
			2.L & B		5.Other	8.	19.Gravel Pit												8.View/Environ		
			3.Building		6.C/I Land	9.	20.Industrial Bas										9.Fract Share				
			Financing					21.Developed Pave										30.Utility R O W			
Notes:			1.Convent		4.Seller	7.	22.Undev Paved (F										31.Tillable				
			2.FHA/VA		5.Private	8.	23.Developed Grav												32.Pasture		
			3.Assumed		6.Cash	9.Unknown	24.Undev Gravel (33.Orchard				
			Validity					25.Comm Base Pave												34.Softwood F&O	
			1.Valid		4.Split	7.Renovate	26.Comm Base Grav												35.Mixed Wood F&O		
			2.Related		5.Partial	8.Other	27.Backlot												36.Hardwood F&O		
			3.Distress		6.Exempt	9.	28.Rear Land												37.Softwood TG		
			Verified					29.Pavement												38.Mixed Wood TG	
			1.Buyer		4.Agent	7.Family													39.Hardwood TG		
			2.Seller		5.Pub Rec	8.Other															40.Wasteland
			3.Lender		6.MLS	9.													41.Open Space		
			Total Acreage		0.06															42.Mobile Home Si	
Washburn																				43.Condo Site	
																				44.Lot Improvemen	
																				45.Subdivision Lo	
																				46.Heavy Ind Sit	


Washburn

Map Lot 012-060

Account 930

Location Wilder Street

Card 1 Of 1 9/04/2024

Building Style 0	SF Bsmt Living 0	Layout 0
1.Conv. 5.Garrison 9.Gambrel	Fin Bsmt Grade 0 0	1.Typical 4. 7.
2.Ranch 6.Salt Box 10.Other	OPEN 5 OPTIONAL 0	2.Inadeq 5. 8.
3.R Ranch 7.Contemp 11.Split	Heat Type 100% 0	3.Poor 6. 9.
4.Cape 8.Log 12.	1.HWBB 5.FWA 9.No Heat	Attic 0
Dwelling Units 0	2.HWCI 6.GravWA 10.	1.1/4 Fin 4.Full Fin 7.
Other Units 0	3.H Pump 7.Electric 11.	2.1/2 Fin 5.F/Stair 8.
Stories 0	4.Steam 8.F/Wall 12.	3.3/4 Fin 6. 9.None
1.1 4.1.5 7.	Cool Type 0% 9 None	Insulation 0
2.2 5.1.75 8.	1.Refrig 4.W&C Air 7.	1.Full 4.Minimal 7.
3.3 6.2.5 9.	2.Evapor 5. 8.	2.Heavy 5.Partial 8.
Exterior Walls 0	3.H Pump 6. 9.None	3.Capped 6. 9.None
1.Wood 5.Stucco 9.T-111	Kitchen Style 0	Unfinished % 0%
2.Vin/Al 6.Brick 10.Other	1.Modern 4.Obsolete 7.	Grade & Factor 0 0%
3.Compos. 7.Stone 11.	2.Typical 5. 8.	1.E Grade 4.B Grade 7.
4.Asbestos 8.Concrete 12.	3.Old Type 6. 9.None	2.D Grade 5.A Grade 8.SC Grade
Roof Surface 0	Bath(s) Style 0	3.C Grade 6.AA Grade 9.Same
1.Asphalt 4.Composit 7.	1.Modern 4.Obsolete 7.	SQFT (Footprint) 0
2.Slate 5.Wood 8.	2.Typical 5. 8.	Condition 0
3.Metal 6.Other 9.	3.Old Type 6. 9.None	1.Poor 4.Avg 7.V G
SF Masonry Trim 0	# Rooms 0	2.Fair 5.Avg+ 8.Exc
OPEN-3-CUSTOM 0	# Bedrooms 0	3.Avg- 6.Good 9.Same
OPEN-4-CUSTOM 0	# Full Baths 0	Phys. % Good 0%
Year Built 0	# Half Baths 0	Funct. % Good 100%
Year Remodeled 0	# Addn Fixtures 0	Functional Code 9 None
Foundation 0	# Fireplaces 0	1.Incomp 4.Delap 7.No Power
1.Concrete 4.Wood 7.		2.O-Built 5.Bsmt 8.LongTerm
2.C Block 5.Slab 8.		3.Damage 6.Common 9.None
3.Br/Stone 6.Piers 9.		Econ. % Good 100%
Basement 0		Economic Code None
1.1/4 Bmt 4.Full Bmt 7.		0.None 3.No Power 7.
2.1/2 Bmt 5.None 8.		1.Location 4.Generate 8.
3.3/4 Bmt 6. 9.None		2.Encroach 9.None 9.
Bsmt Gar # Cars 0		Entrance Code 0
Wet Basement 0		1.Interior 4.Vacant 7.
1.Dry 4. 7.		2.Refusal 5.Estimate 8.
2.Damp 5. 8.	3.Informed 6.Reviewed 9.	
3.Wet 6. 9.	Information Code 0	
		1.Owner 4.Agent 7.
		2.Relative 5.Estimate 8.
		3.Tenant 6.Other 9.

Date Inspected

Additions, Outbuildings & Improvements

Type	Year	Units	Grade	Cond	Phys.	Funct.	Sound Value
					%	%	1.One Story Fram
					%	%	2.Two Story Fram
					%	%	3.Three Story Fr
					%	%	4.1 & 1/2 Story
					%	%	5.1 & 3/4 Story
					%	%	6.2 & 1/2 Story
					%	%	21.Open Frame Por
					%	%	22.Encl Frame Por
					%	%	23.Frame Garage
					%	%	24.Frame Shed
					%	%	25.Frame Bay Wind
					%	%	26.1SFr Overhang
					%	%	27.Unfin Basement
					%	%	28.Unfinished Att
					%	%	29.Finished Attic

Washburn

Map Lot 012-061


Account 1044

Location 40 WILDER STREET

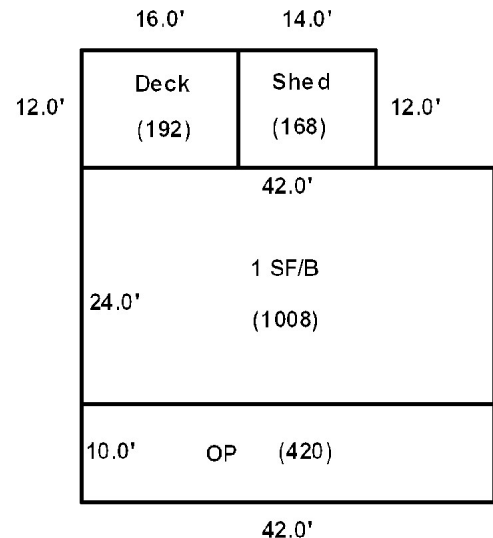
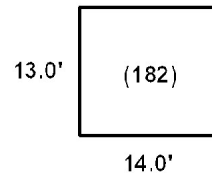
Card 1

Of 1

9/04/2024

Building Style	2 Ranch			SF Bsmt Living	0			Layout	1 Typical		
1.Conv.	5.Garrison	9.Gambrel		Fin Bsmt Grade	0 0			1.Typical	4.	7.	
2.Ranch	6.Salt Box	10.Other		OPEN 5 OPTIONAL	0			2.Inadeq	5.	8.	
3.R Ranch	7.Contemp	11.Split		Heat Type	100% 1 Hot Water BB			3.Poor	6.	9.	
4.Cape	8.Log	12.		1.HWBB	5.FWA	9.No Heat	Attic	9 None			
Dwelling Units	1			2.HWCI	6.GravWA	10.	1.1/4 Fin	4.Full Fin	7.		
Other Units	0			3.H Pump	7.Electric	11.	2.1/2 Fin	5.FI/Stair	8.		
Stories	1 One Story			4.Steam	8.FI/Wall	12.	3.3/4 Fin	6.	9.None		
1.1	4.1.5	7.		Cool Type	0% 9 None			Insulation	4 Minimal		
2.2	5.1.75	8.		1.Refrig	4.W&C Air	7.	1.Full	4.Minimal	7.		
3.3	6.2.5	9.		2.Evapor	5.	8.	2.Heavy	5.Partial	8.		
Exterior Walls	1 Wood Siding			3.H Pump	6.	9.None	3.Capped	6.	9.None		
1.Wood	5.Stucco	9.T-111		Kitchen Style	2 Typical			Unfinished %	0%		
2.Vin/Al	6.Brick	10.Other		1.Modern	4.Obsolete	7.	Grade & Factor	3 Average 105%			
3.Compos.	7.Stone	11.		2.Typical	5.	8.	1.E Grade	4.B Grade	7.		
4.Asbestos	8.Concrete	12.		3.Old Type	6.	9.None	2.D Grade	5.A Grade	8.SC Grade		
Roof Surface	1 Asphalt Shingles			Bath(s) Style	2 Typical Bath(s)			3.C Grade	6.AA Grade	9.Same	
1.Asphalt	4.Composit	7.		1.Modern	4.Obsolete	7.	SQFT (Footprint)	1008			
2.Slate	5.Wood	8.		2.Typical	5.	8.	Condition	6 Good			
3.Metal	6.Other	9.		3.Old Type	6.	9.None	1.Poor	4.Avg	7.V G		
SF Masonry Trim	0			# Rooms	4			2.Fair	5.Avg+	8.Exc	
OPEN-3-CUSTOM	0			# Bedrooms	2			3.Avg-	6.Good	9.Same	
OPEN-4-CUSTOM	0			# Full Baths	1			Phys. % Good	0%		
Year Built	1970			# Half Baths	0			Funct. % Good	100%		
Year Remodeled	0			# Addn Fixtures	0			Functional Code	9 None		
Foundation	1 Concrete			# Fireplaces	0			1.Incomp	4.Delap	7.No Power	
1.Concrete	4.Wood	7.									
2.C Block	5.Slab	8.									
3.Br/Stone	6.Piers	9.									
Basement	4 Full Basement										
1.1/4 Bmt	4.Full Bmt	7.									
2.1/2 Bmt	5.None	8.									
3.3/4 Bmt	6.	9.None									
Bsmt Gar # Cars	0										
Wet Basement	2 Damp Basement										
1.Dry	4.	7.									
2.Damp	5.	8.									
3.Wet	6.	9.									
Economic Code	None			0.None	3.No Power	7.	Entrance Code	1 Interior Inspect			
1.Location	4.Generate	8.		1.Interior	4.Vacant	7.	2.Refusal	5.Estimate	8.		
2.Encroach	9.None	9.		3.Informed	6.Reviewed	9.	3.Informed	6.Reviewed	9.		
Information Code	1 Owner			1.Owner	4.Agent	7.	2.Relative	5.Estimate	8.		
2.Tenant	6.Other	9.		3.Tenant	6.Other	9.					

Shed SV S500



Date Inspected 11/12/2018

Additions, Outbuildings & Improvements

Type	Year	Units	Grade	Cond	Phys.	Funct.	Sound Value
21 Open Frame	2000	420	3 100	4	0 %	100 %	
68 Wood Deck	2000	192	3 100	4	0 %	100 %	
24 Frame Shed	2000	168	2 110	4	0 %	90 %	
24 Frame Shed	0				%	%	500
					%	%	
					%	%	
					%	%	
					%	%	
					%	%	
					%	%	
					%	%	



THOMPSON, GREGORY L
 THOMPSON, MELISSA W
 PO BOX 444
 WASHBURN ME 04786
 B3303P328 B5181P128

Property Data			Assessment Record						
Neighborhood 1 Neighborhood One			Year	Land	Buildings	Exempt	Total		
Tree Growth Year 0			2012	5,500	83,800	8,800	80,500		
1ST MORTGAGE 0			2013	7,100	83,800	8,800	82,100		
2ND MORTGAGE 0			2015	7,100	83,800	9,000	81,900		
Zone/Land Use 1 Residential			2018	7,100	83,800	18,400	72,500		
Secondary Zone			2019	11,700	84,200	20,000	75,900		
Topography 1 Level			2020	11,700	83,300	25,000	70,000		
1.Level 4.Below St 7.LevelBog			2021	11,700	86,000	25,000	72,700		
2.Rolling 5.Low 8.			2022	11,700	90,000	25,000	76,700		
3.Above St 6.Swampy 9.			2023	15,100	105,700	25,000	95,800		
Utilities 2 Public Water 3 Public Sewer			2024	15,100	105,700	25,000	95,800		
1.Public 4.Dr Well 7.Cesspool									
2.Water 5.Dug Well 8.									
3.Sewer 6.Septic 9.None									
Street 1 Paved									
1.Paved 4.Proposed 7.									
2.Semi Imp 5.R/O/W 8.									
3.Gravel 6. 9.None									
TG PLAN YEAR 0									
Tif District # 0									
Sale Data			Land Data						
Sale Date 7/29/1999			Front Foot	Type	Effective		Influence		Influence Codes
Price					Frontage	Depth	Factor	Code	
Sale Type 2 Land & Buildings			11.Regular Lot					1.Unimproved	
1.Land 4.Mobile 7.C/I L&B			12.Delta Triangle					2.Excess Frtg	
2.L & B 5.Other 8.			13.Nabla Triangle					3.Topography	
3.Building 6.C/I Land 9.			14.Rear Land					4.Size/Shape	
Financing 1 Conventional			15.Class I Road					5.Access	
1.Convent 4.Seller 7.								6.Restriction	
2.FHA/VA 5.Private 8.								7.Open Space	
3.Assumed 6.Cash 9.Unknown								8.View/Environ	
Validity 1 Arms Length Sale								9.Fract Share	
1.Valid 4.Split 7.Renovate			Square Foot	Square Feet				Acres	
2.Related 5.Partial 8.Other			16.Class II Road	29	650	75	%	0	
3.Distress 6.Exempt 9.			17.Municipal Rese						
Verified 5 Public Record			18.Munic Sep Lago						
1.Buyer 4.Agent 7.Family			19.Gravel Pit						
2.Seller 5.Pub Rec 8.Other			20.Industrial Bas						
3.Lender 6.MLS 9.									
			Fract. Acre	Acres/Sites					
			21.Developed Pave	21	0.40	100	%	0	
			22.Undev Paved (F						
			23.Developed Grav						
			Acres						
			24.Undev Gravel (
			25.Comm Base Pave						
			26.Comm Base Grav						
			27.Backlot						
			28.Rear Land						
			29.Pavement						
			Total Acreage		0.40				

Inspection Witnessed By:

X	Date
No./Date	Description
	Date Insp.

Notes:
 * Added shed for 2021. 4-7-2021 ED
 *1-28-2019 -20% for attached garage.

Washburn

Map Lot 012-062


Account 910

Location 44 WILDER STREET

Card 1

Of 1

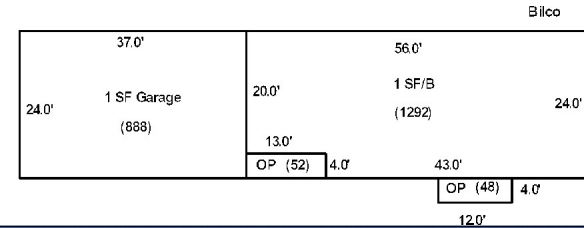
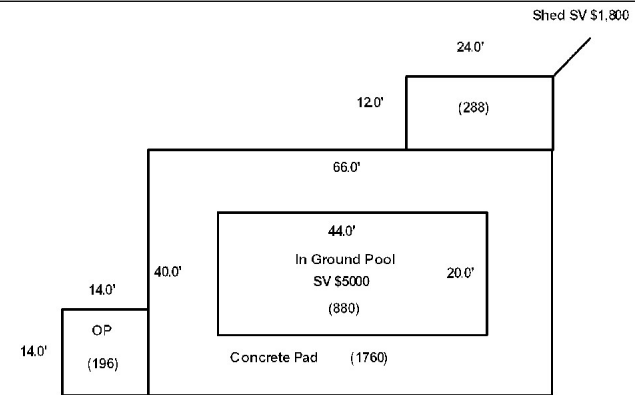
9/04/2024

Building Style 2 Ranch	SF Bsmt Living 0	Layout 1 Typical
1.Conv. 5.Garrison 9.Gambrel	Fin Bsmt Grade 0 0	1.Typical 4. 7.
2.Ranch 6.Salt Box 10.Other	OPEN 5 OPTIONAL 0	2.Inadeq 5. 8.
3.R Ranch 7.Contemp 11.Split	Heat Type 100% 1 Hot Water BB	3.Poor 6. 9.
4.Cape 8.Log 12.	1.HWBB 5.FWA 9.No Heat	Attic 9 None
Dwelling Units 1	2.HWCI 6.GravWA 10.	1.1/4 Fin 4.Full Fin 7.
Other Units 0	3.H Pump 7.Electric 11.	2.1/2 Fin 5.F/ Stair 8.
Stories 1 One Story	4.Steam 8.F/ Wall 12.	3.3/4 Fin 6. 9.None
1.1 4.1.5 7.	Cool Type 0% 9 None	Insulation 1 Full
2.2 5.1.75 8.	1.Refrig 4.W&C Air 7.	1.Full 4.Minimal 7.
3.3 6.2.5 9.	2.Evapor 5. 8.	2.Heavy 5.Partial 8.
Exterior Walls 2 Vinyl/Aluminum	3.H Pump 6. 9.None	3.Capped 6. 9.None
1.Wood 5.Stucco 9.T-111	Kitchen Style 2 Typical	Unfinished % 0%
2.Vin/Al 6.Brick 10.Other	1.Modern 4.Obsolete 7.	Grade & Factor 3 Average 105%
3.Compos. 7.Stone 11.	2.Typical 5. 8.	1.E Grade 4.B Grade 7.
4.Asbestos 8.Concrete 12.	3.Old Type 6. 9.None	2.D Grade 5.A Grade 8.SC Grade
Roof Surface 3 Sheet Metal	Bath(s) Style 2 Typical Bath(s)	3.C Grade 6.AA Grade 9.Same
1.Asphalt 4.Composit 7.	1.Modern 4.Obsolete 7.	SQFT (Footprint) 1292
2.Slate 5.Wood 8.	2.Typical 5. 8.	Condition 5 Above Average
3.Metal 6.Other 9.	3.Old Type 6. 9.None	1.Poor 4.Avg 7.V G
SF Masonry Trim 64	# Rooms 7	2.Fair 5.Avg+ 8.Exc
OPEN-3-CUSTOM 0	# Bedrooms 5	3.Avg- 6.Good 9.Same
OPEN-4-CUSTOM 0	# Full Baths 2	Phys. % Good 0%
Year Built 1970	# Half Baths 0	Funct. % Good 100%
Year Remodeled 0	# Addn Fixtures 0	Functional Code 9 None
Foundation 1 Concrete	# Fireplaces 0	1.Incomp 4.Delap 7.No Power
1.Concrete 4.Wood 7.		2.O-Built 5.Bsmt 8.LongTerm
2.C Block 5.Slab 8.		3.Damage 6.Common 9.None
3.Br/Stone 6.Piers 9.		Econ. % Good 100%
Basement 4 Full Basement		Economic Code None
1.1/4 Bmt 4.Full Bmt 7.		0.None 3.No Power 7.
2.1/2 Bmt 5.None 8.		1.Location 4.Generate 8.
3.3/4 Bmt 6. 9.None		2.Encroach 9.None 9.
Bsmt Gar # Cars 0		Entrance Code 5 Estimated
Wet Basement 2 Damp Basement		1.Interior 4.Vacant 7.
1.Dry 4. 7.		2.Refusal 5.Estimate 8.
2.Damp 5. 8.	3.Informed 6.Reviewed 9.	
3.Wet 6. 9.	Information Code 5 Estimate	
	1.Owner 4.Agent 7.	
	2.Relative 5.Estimate 8.	
	3.Tenant 6.Other 9.	

Date Inspected 11/12/2018

Additions, Outbuildings & Improvements

Type	Year	Units	Grade	Cond	Phys.	Funct.	Sound Value
21 Open Frame	1970	52	3 100	4	0 %	100 %	
21 Open Frame	2000	48	3 95	4	0 %	100 %	
23 Frame Garage	1970	888	3 100	5	0 %	80 %	
48 Concrete Slab	1990	1760	3 100	4	0 %	100 %	
21 Open Frame	1990	196	3 100	4	0 %	100 %	
24 Frame Shed	0					%	200
58 Baker	0					%	100
63 Swimming Pool	0					%	5,000
24 Frame Shed	0					%	1,800
						%	



Skinner, John J
Skinner, Liza A
PO BOX 386
WASHBURN ME 04786

B4553P160 B4553P162

Property Data			Assessment Record				
Neighborhood 1 Neighborhood One			Year	Land	Buildings	Exempt	Total
Tree Growth Year 0			2012	5,500	67,200	8,800	63,900
1ST MORTGAGE 0			2013	7,200	67,200	8,800	65,600
2ND MORTGAGE 0			2015	7,200	67,200	9,000	65,400
Zone/Land Use 1 Residential			2018	7,200	67,200	18,400	56,000
Secondary Zone			2019	12,800	70,800	26,000	57,600
Topography 1 Level			2020	12,800	70,000	31,000	51,800
1.Level 4.Below St 7.LevelBog			2021	12,800	70,800	31,000	52,600
2.Rolling 5.Low 8.			2022	12,800	74,000	31,000	55,800
3.Above St 6.Swampy 9.			2023	16,300	87,100	31,000	72,400
Utilities 2 Public Water 3 Public Sewer			2024	16,300	87,100	31,000	72,400
1.Public 4.Dr Well 7.Cesspool							
2.Water 5.Dug Well 8.							
3.Sewer 6.Septic 9.None							
Street 1 Paved							
1.Paved 4.Proposed 7.							
2.Semi Imp 5.R/O/W 8.							
3.Gravel 6. 9.None							
TG PLAN YEAR 0							
Tif District # 0							
Sale Data							
Sale Date 3/12/2008							
Price 93,800							
Sale Type 2 Land & Buildings							
1.Land 4.Mobile 7.C/I L&B							
2.L & B 5.Other 8.							
3.Building 6.C/I Land 9.							
Financing 1 Conventional							
1.Convent 4.Seller 7.							
2.FHA/VA 5.Private 8.							
3.Assumed 6.Cash 9.Unknown							
Validity 1 Arms Length Sale							
1.Valid 4.Split 7.Renovate							
2.Related 5.Partial 8.Other							
3.Distress 6.Exempt 9.							
Verified 5 Public Record							
1.Buyer 4.Agent 7.Family							
2.Seller 5.Pub Rec 8.Other							
3.Lender 6.MLS 9.							

Land Data						
Front Foot	Type	Effective		Influence		Influence Codes
		Frontage	Depth	Factor	Code	
11.Regular Lot				%		1.Unimproved
12.Delta Triangle				%		2.Excess Frtg
13.Nabla Triangle				%		3.Topography
14.Rear Land				%		4.Size/Shape
15.Class I Road				%		5.Access
				%		6.Restriction
				%		7.Open Space
				%		8.View/Environ
Square Foot	Square Feet					Acres
29	1,100		75	%	0	9.Fract Share
				%		30.Utility R O W
				%		31.Tillable
				%		32.Pasture
				%		33.Orchard
				%		34.Softwood F&O
				%		35.Mixed Wood F&O
				%		36.Hardwood F&O
				%		37.Softwood TG
				%		38.Mixed Wood TG
				%		39.Hardwood TG
				%		40.Wasteland
				%		41.Open Space
				%		42.Mobile Home Si
				%		43.Condo Site
				%		44.Lot Improvemen
				%		45.Subdivision Lo
				%		46.Heavy Ind Sit
Total Acreage			0.42			

Inspection Witnessed By:

No./Date	Description	Date Insp.
X		

Notes:
*1-28-2019 -15% for attached garage.


Washburn

Map Lot 012-063

Account 420

Location 43 Wilder Street

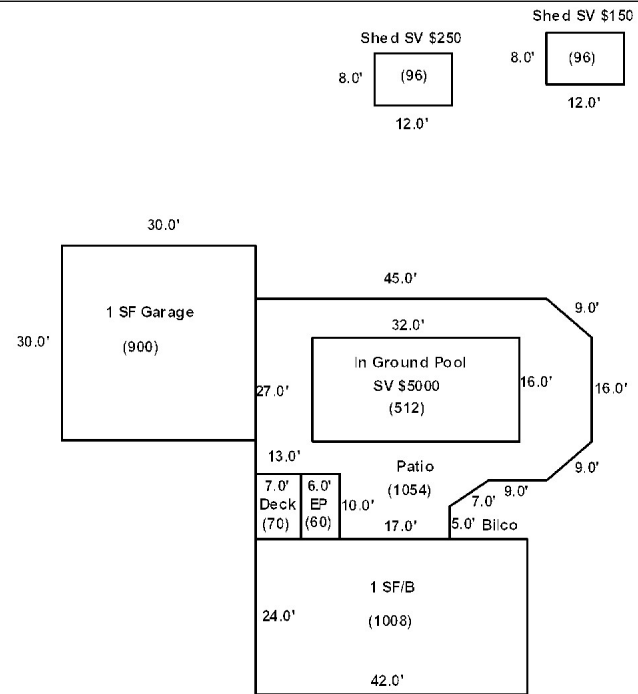
Card 1 Of 1 9/04/2024

Building Style 2 Ranch	SF Bsmt Living 0	Layout 1 Typical
1.Conv. 5.Garrison 9.Gambrel	Fin Bsmt Grade 0 0	1.Typical 4. 7.
2.Ranch 6.Salt Box 10.Other	OPEN 5 OPTIONAL 0	2.Inadeq 5. 8.
3.R Ranch 7.Contemp 11.Split	Heat Type 100% 1 Hot Water BB	3.Poor 6. 9.
4.Cape 8.Log 12.	1.HWBB 5.FWA 9.No Heat	Attic 9 None
Dwelling Units 1	2.HWCI 6.GravWA 10.	1.1/4 Fin 4.Full Fin 7.
Other Units 0	3.H Pump 7.Electric 11.	2.1/2 Fin 5.FI/Stair 8.
Stories 1 One Story	4.Steam 8.FI/Wall 12.	3.3/4 Fin 6. 9.None
1.1 4.1.5 7.	Cool Type 50% 3 Heat Pump	Insulation 1 Full
2.2 5.1.75 8.	1.Refrig 4.W&C Air 7.	1.Full 4.Minimal 7.
3.3 6.2.5 9.	2.Evapor 5. 8.	2.Heavy 5.Partial 8.
Exterior Walls 9 T-111	3.H Pump 6. 9.None	3.Capped 6. 9.None
1.Wood 5.Stucco 9.T-111	Kitchen Style 2 Typical	Unfinished % 0%
2.Vin/Al 6.Brick 10.Other	1.Modern 4.Obsolete 7.	Grade & Factor 3 Average 105%
3.Compos. 7.Stone 11.	2.Typical 5. 8.	1.E Grade 4.B Grade 7.
4.Asbestos 8.Concrete 12.	3.Old Type 6. 9.None	2.D Grade 5.A Grade 8.SC Grade
Roof Surface 1 Asphalt Shingles	Bath(s) Style 2 Typical Bath(s)	3.C Grade 6.AA Grade 9.Same
1.Asphalt 4.Composit 7.	1.Modern 4.Obsolete 7.	SQFT (Footprint) 1008
2.Slate 5.Wood 8.	2.Typical 5. 8.	Condition 5 Above Average
3.Metal 6.Other 9.	3.Old Type 6. 9.None	1.Poor 4.Avg 7.V G
SF Masonry Trim 0	# Rooms 5	2.Fair 5.Avg+ 8.Exc
OPEN-3-CUSTOM 0	# Bedrooms 3	3.Avg- 6.Good 9.Same
OPEN-4-CUSTOM 0	# Full Baths 1	Phys. % Good 0%
Year Built 1970	# Half Baths 0	Funct. % Good 100%
Year Remodeled 0	# Addn Fixtures 0	Functional Code 9 None
Foundation 1 Concrete	# Fireplaces 0	1.Incomp 4.Delap 7.No Power
1.Concrete 4.Wood 7.	 <p>TRIO Software A Division of Harris Computer Systems</p>	2.O-Built 5.Bsmt 8.LongTerm
2.C Block 5.Slab 8.		3.Damage 6.Common 9.None
3.Br/Stone 6.Piers 9.		Econ. % Good 100%
Basement 4 Full Basement		Economic Code None
1.1/4 Bmt 4.Full Bmt 7.		0.None 3.No Power 7.
2.1/2 Bmt 5.None 8.		1.Location 4.Generate 8.
3.3/4 Bmt 6. 9.None		2.Encroach 9.None 9.
Bsmt Gar # Cars 0		Entrance Code 3 Information Only
Wet Basement 2 Damp Basement		1.Interior 4.Vacant 7.
1.Dry 4. 7.		2.Refusal 5.Estimate 8.
2.Damp 5. 8.	3.Informed 6.Reviewed 9.	
3.Wet 6. 9.	Information Code 1 Owner	
		1.Owner 4.Agent 7.
		2.Relative 5.Estimate 8.
		3.Tenant 6.Other 9.

Date Inspected 11/12/2018

Additions, Outbuildings & Improvements

Type	Year	Units	Grade	Cond	Phys.	Funct.	Sound Value
62 Patio	1990	1054	3 100	4	0 %	100 %	
63 Swimming Pool	0				%	%	5,000
22 Encl Frame Porch	1970	60	3 100	4	0 %	100 %	
68 Wood Deck	1980	70	3 100	4	0 %	100 %	
23 Frame Garage	1970	900	3 95	4	0 %	85 %	
24 Frame Shed	0				%	%	150
24 Frame Shed	0				%	%	250
					%	%	
					%	%	
					%	%	
					%	%	



Washburn

Map Lot 012-067

Account 396

Location PORTER STREET

Card 1 Of 1 9/04/2024

Building Style 0	SF Bsmt Living 0	Layout 0
1.Conv. 5.Garrison 9.Gambrel	Fin Bsmt Grade 0 0	1.Typical 4. 7.
2.Ranch 6.Salt Box 10.Other	OPEN 5 OPTIONAL 0	2.Inadeq 5. 8.
3.R Ranch 7.Contemp 11.Split	Heat Type 100% 0	3.Poor 6. 9.
4.Cape 8.Log 12.	1.HWBB 5.FWA 9.No Heat	Attic 0
Dwelling Units 0	2.HWCI 6.GravWA 10.	1.1/4 Fin 4.Full Fin 7.
Other Units 0	3.H Pump 7.Electric 11.	2.1/2 Fin 5.FI/Stair 8.
Stories 0	4.Steam 8.FI/Wall 12.	3.3/4 Fin 6. 9.None
1.1 4.1.5 7.	Cool Type 0% 9 None	Insulation 0
2.2 5.1.75 8.	1.Refrig 4.W&C Air 7.	1.Full 4.Minimal 7.
3.3 6.2.5 9.	2.Evapor 5. 8.	2.Heavy 5.Partial 8.
Exterior Walls 0	3.H Pump 6. 9.None	3.Capped 6. 9.None
1.Wood 5.Stucco 9.T-111	Kitchen Style 0	Unfinished % 0%
2.Vin/Al 6.Brick 10.Other	1.Modern 4.Obsolete 7.	Grade & Factor 0 0%
3.Compos. 7.Stone 11.	2.Typical 5. 8.	1.E Grade 4.B Grade 7.
4.Asbestos 8.Concrete 12.	3.Old Type 6. 9.None	2.D Grade 5.A Grade 8.SC Grade
Roof Surface 0	Bath(s) Style 0	3.C Grade 6.AA Grade 9.Same
1.Asphalt 4.Composit 7.	1.Modern 4.Obsolete 7.	SQFT (Footprint) 0
2.Slate 5.Wood 8.	2.Typical 5. 8.	Condition 0
3.Metal 6.Other 9.	3.Old Type 6. 9.None	1.Poor 4.Avg 7.V G
SF Masonry Trim 0	# Rooms 0	2.Fair 5.Avg+ 8.Exc
OPEN-3-CUSTOM 0	# Bedrooms 0	3.Avg- 6.Good 9.Same
OPEN-4-CUSTOM 0	# Full Baths 0	Phys. % Good 0%
Year Built 0	# Half Baths 0	Funct. % Good 100%
Year Remodeled 0	# Addn Fixtures 0	Functional Code 9 None
Foundation 0	# Fireplaces 0	1.Incomp 4.Delap 7.No Power
1.Concrete 4.Wood 7.		2.O-Built 5.Bsmt 8.LongTerm
2.C Block 5.Slab 8.		3.Damage 6.Common 9.None
3.Br/Stone 6.Piers 9.		Econ. % Good 100%
Basement 0		Economic Code None
1.1/4 Bmt 4.Full Bmt 7.		0.None 3.No Power 7.
2.1/2 Bmt 5.None 8.		1.Location 4.Generate 8.
3.3/4 Bmt 6. 9.None		2.Encroach 9.None 9.
Bsmt Gar # Cars 0		Entrance Code 0
Wet Basement 0		1.Interior 4.Vacant 7.
1.Dry 4. 7.		2.Refusal 5.Estimate 8.
2.Damp 5. 8.	3.Informed 6.Reviewed 9.	
3.Wet 6. 9.	Information Code 0	
		1.Owner 4.Agent 7.
		2.Relative 5.Estimate 8.
		3.Tenant 6.Other 9.

Date Inspected

Additions, Outbuildings & Improvements

Type	Year	Units	Grade	Cond	Phys.	Funct.	Sound Value
					%	%	1.One Story Fram
					%	%	2.Two Story Fram
					%	%	3.Three Story Fr
					%	%	4.1 & 1/2 Story
					%	%	5.1 & 3/4 Story
					%	%	6.2 & 1/2 Story
					%	%	21.Open Frame Por
					%	%	22.Encl Frame Por
					%	%	23.Frame Garage
					%	%	24.Frame Shed
					%	%	25.Frame Bay Wind
					%	%	26.1SFr Overhang
					%	%	27.Unfin Basement
					%	%	28.Unfinished Att
					%	%	29.Finished Attic

Washburn

Map Lot 012-075

Account 42

Location 21 PORTER STREET

Card 1 Of 1 9/04/2024

Building Style	SF Bsmt Living	Layout
1.Conv. 5.Garrison 9.Gambrel	Fin Bsmt Grade	1.Typical 4. 7.
2.Ranch 6.Salt Box 10.Other	OPEN 5 OPTIONAL	2.Inadeq 5. 8.
3.R Ranch 7.Contemp 11.Split	Heat Type 100%	3.Poor 6. 9.
4.Cape 8.Log 12.	1.HWBB 5.FWA 9.No Heat	Attic
Dwelling Units	2.HWCI 6.GravWA 10.	1.1/4 Fin 4.Full Fin 7.
Other Units	3.H Pump 7.Electric 11.	2.1/2 Fin 5.F/Stair 8.
Stories	4.Steam 8.F/Wall 12.	3.3/4 Fin 6. 9.None
1.1 4.1.5 7.	Cool Type 0%	Insulation
2.2 5.1.75 8.	1.Refrig 4.W&C Air 7.	1.Full 4.Minimal 7.
3.3 6.2.5 9.	2.Evapor 5. 8.	2.Heavy 5.Partial 8.
Exterior Walls	3.H Pump 6. 9.None	3.Capped 6. 9.None
1.Wood 5.Stucco 9.T-111	Kitchen Style	Unfinished %
2.Vin/Al 6.Brick 10.Other	1.Modern 4.Obsolete 7.	Grade & Factor
3.Compos. 7.Stone 11.	2.Typical 5. 8.	1.E Grade 4.B Grade 7.
4.Asbestos 8.Concrete 12.	3.Old Type 6. 9.None	2.D Grade 5.A Grade 8.SC Grade
Roof Surface	Bath(s) Style	3.C Grade 6.AA Grade 9.Same
1.Asphalt 4.Composit 7.	1.Modern 4.Obsolete 7.	SQFT (Footprint)
2.Slate 5.Wood 8.	2.Typical 5. 8.	Condition
3.Metal 6.Other 9.	3.Old Type 6. 9.None	1.Poor 4.Avg 7.V G
SF Masonry Trim	# Rooms	2.Fair 5.Avg+ 8.Exc
OPEN-3-CUSTOM	# Bedrooms	3.Avg- 6.Good 9.Same
OPEN-4-CUSTOM	# Full Baths	Phys. % Good
Year Built	# Half Baths	Funct. % Good
Year Remodeled	# Addn Fixtures	Functional Code
Foundation	# Fireplaces	1.Incomp 4.Delap 7.No Power
1.Concrete 4.Wood 7.	 <p>TRIO Software A Division of Harris Computer Systems</p>	2.O-Built 5.Bsmt 8.LongTerm
2.C Block 5.Slab 8.		3.Damage 6.Common 9.None
3.Br/Stone 6.Piers 9.		Econ. % Good
Basement		Economic Code
1.1/4 Bmt 4.Full Bmt 7.		0.None 3.No Power 7.
2.1/2 Bmt 5.None 8.		1.Location 4.Generate 8.
3.3/4 Bmt 6. 9.None		2.Encroach 9.None 9.
Bsmt Gar # Cars		Entrance Code 3 Information Only
Wet Basement		1.Interior 4.Vacant 7.
1.Dry 4. 7.		2.Refusal 5.Estimate 8.
2.Damp 5. 8.	3.Informed 6.Reviewed 9.	
3.Wet 6. 9.	Information Code 3 Tenant	
	1.Owner 4.Agent 7.	
	2.Relative 5.Estimate 8.	
	3.Tenant 6.Other 9.	

Date Inspected 11/12/2018

Additions, Outbuildings & Improvements

Type	Year	Units	Grade	Cond	Phys.	Funct.	Sound Value
24 Frame Shed	0				%	%	500
					%	%	
					%	%	
					%	%	
					%	%	
					%	%	
					%	%	
					%	%	
					%	%	
					%	%	
					%	%	

Tree Ho use NV
X

120'
Shed SV \$500
(240)
20.0'

