


Washburn

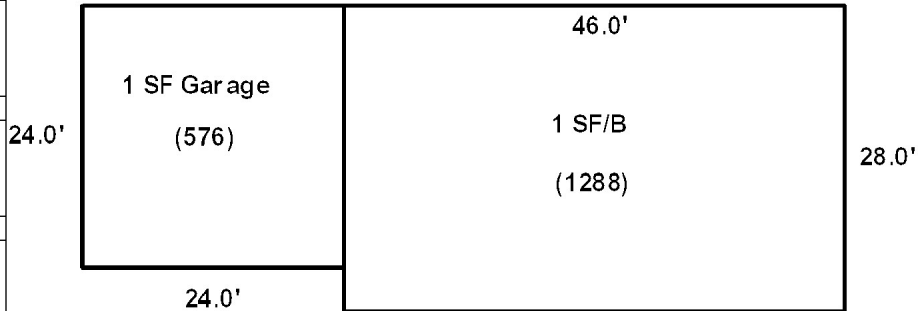
Map Lot 009-001

Account 767

Location 2230 WASHBURN ROAD

Card 1 Of 1 9/04/2024

Building Style	2 Ranch		SF Bsmt Living	0		Layout	1 Typical							
1.Conv.	5.Garrison	9.Gambrel	Fin Bsmt Grade	0 0		1.Typical	4.	7.						
2.Ranch	6.Salt Box	10.Other	OPEN 5 OPTIONAL	0		2.Inadeq	5.	8.						
3.R Ranch	7.Contemp	11.Split	Heat Type	100% 5 Forced Warm Air		3.Poor	6.	9.						
4.Cape	8.Log	12.	1.HWB	5.FWA	9.No Heat	Attic	9 None							
Dwelling Units	1		2.HWCI	6.GravWA	10.	1.1/4 Fin	4.Full Fin	7.						
Other Units	0		3.H Pump	7.Electric	11.	2.1/2 Fin	5.F/ Stair	8.						
Stories	1 One Story		4.Steam	8.F/Wall	12.	3.3/4 Fin	6.	9.None						
1.1	4.1.5	7.	Cool Type	0% 9 None		Insulation	1 Full							
2.2	5.1.75	8.	1.Refrig	4.W&C Air	7.	1.Full	4.Minimal	7.						
3.3	6.2.5	9.	2.Evapor	5.	8.	2.Heavy	5.Partial	8.						
Exterior Walls	4 Asbestos Siding		3.H Pump	6.	9.None	3.Capped	6.	9.None						
1.Wood	5.Stucco	9.T-111	Kitchen Style	2 Typical		Unfinished %	0%							
2.Vin/Al	6.Brick	10.Other	1.Modern	4.Obsolete	7.	Grade & Factor	2 Fair 115%							
3.Compos.	7.Stone	11.	2.Typical	5.	8.	1.E Grade	4.B Grade	7.						
4.Asbestos	8.Concrete	12.	3.Old Type	6.	9.None	2.D Grade	5.A Grade	8.SC Grade						
Roof Surface	1 Asphalt Shingles		Bath(s) Style	2 Typical Bath(s)		3.C Grade	6.AA Grade	9.Same						
1.Asphalt	4.Composit	7.	1.Modern	4.Obsolete	7.	SQFT (Footprint)	1288							
2.Slate	5.Wood	8.	2.Typical	5.	8.	Condition	3 Below Average							
3.Metal	6.Other	9.	3.Old Type	6.	9.None	1.Poor	4.Avg	7.V G						
SF Masonry Trim	0		# Rooms	5		2.Fair	5.Avg+	8.Exc						
OPEN-3-CUSTOM	0		# Bedrooms	2		3.Avg-	6.Good	9.Same						
OPEN-4-CUSTOM	0		# Full Baths	1		Phys. % Good	0%							
Year Built	1955		# Half Baths	0		Func. % Good	80%							
Year Remodeled	0		# Addn Fixtures	0		Functional Code	4 Delapidation							
Foundation	1 Concrete		# Fireplaces	0		1.Incomp	4.Delap	7.No Power						
1.Concrete	4.Wood	7.							2.O-Built	5.Bsmt	8.LongTerm			
2.C Block	5.Slab	8.							Econ. % Good	100%		3.Damage	6.Common	9.None
3.Br/Stone	6.Piers	9.							Economic Code	None		1.None	3.No Power	7.
Basement	4 Full Basement								0.None	3.No Power	7.	1.Location	4.Generate	8.
1.1/4 Bmt	4.Full Bmt	7.							Entrance Code	5 Estimated		2.Encroach	9.None	9.
2.1/2 Bmt	5.None	8.							1.Interior	4.Vacant	7.	Information Code	5 Estimate	
3.3/4 Bmt	6.	9.None							2.Refusal	5.Estimate	8.	1.Owner	4.Agent	7.
Bsmt Gar # Cars	0								3.Informed	6.Reviewed	9.	2.Relative	5.Estimate	8.
Wet Basement	2 Damp Basement								Information Code	5 Estimate		3.Tenant	6.Other	9.
1.Dry	4.	7.							1.One Story Fram					
2.Damp	5.	8.	2.Two Story Fram											
3.Wet	6.	9.	3.Three Story Fr											



Date Inspected 11/14/2018

Additions, Outbuildings & Improvements

Type	Year	Units	Grade	Cond	Phys.	Funct.	Sound Value
23 Frame Garage	1965	576	2 110	3	0 %	80 %	
					%	%	
					%	%	
					%	%	
					%	%	
					%	%	
					%	%	
					%	%	
					%	%	
					%	%	
					%	%	



ST. JOHN, LAKEISHA
ALBERT, THOMAS
2252 WASHBURN ROAD
WASHBURN ME 04786

B6055P139

Previous Owner
Haley, George
2252 Washburn Road

Washburn ME 04786
Sale Date: 8/27/2008

Inspection Witnessed By:

X	Date
No./Date	Description
	Date Insp.

Notes:
*2-15-2019 DW HUD #'s RAD 1497709 and RAD 1497708.

Washburn

Property Data			Assessment Record						
Neighborhood 1 Neighborhood One			Year	Land	Buildings	Exempt	Total		
Tree Growth Year 0			2012	6,800	28,300	0	35,100		
1ST MORTGAGE 0			2013	8,900	28,300	0	37,200		
2ND MORTGAGE 0			2015	8,900	28,300	0	37,200		
Zone/Land Use 1 Residential			2018	8,900	76,100	18,400	66,600		
Secondary Zone			2019	21,300	61,300	20,000	62,600		
Topography 2 Rolling			2020	21,300	59,300	25,000	55,600		
1.Level 4.Below St 7.LevelBog			2021	21,300	61,300	0	82,600		
2.Rolling 5.Low 8.			2022	21,300	64,200	25,000	60,500		
3.Above St 6.Swampy 9.			2023	26,900	76,000	25,000	77,900		
Utilities 4 Drilled Well 6 Septic System			2024	26,900	76,000	25,000	77,900		
1.Public 4.Dr Well 7.Cesspool									
2.Water 5.Dug Well 8.									
3.Sewer 6.Septic 9.None									
Street 1 Paved									
1.Paved 4.Proposed 7.									
2.Semi Imp 5.R/O/W 8.									
3.Gravel 6. 9.None									
TG PLAN YEAR 0									
Tif District # 0									
Sale Data			Land Data						
Sale Date 8/24/2020			Front Foot	Type	Effective		Influence		Influence Codes
Price 149,000					Frontage	Depth	Factor	Code	
Sale Type 2 Land & Buildings			11.Regular Lot					1.Unimproved	
1.Land 4.Mobile 7.C/I L&B			12.Delta Triangle					2.Excess Frtg	
2.L & B 5.Other 8.			13.Nabla Triangle					3.Topography	
3.Building 6.C/I Land 9.			14.Rear Land					4.Size/Shape	
Financing 9 Unknown			15.Class I Road					5.Access	
1.Convent 4.Seller 7.								6.Restriction	
2.FHA/VA 5.Private 8.								7.Open Space	
3.Assumed 6.Cash 9.Unknown								8.View/Environ	
Validity 1 Arms Length Sale			Square Foot	Square Feet				9.Fract Share	
1.Valid 4.Split 7.Renovate			16.Class II Road	29	1,800	100	%	0	
2.Related 5.Partial 8.Other			17.Municipal Rese						
3.Distress 6.Exempt 9.			18.Munic Sep Lago						
Verified 5 Public Record			19.Gravel Pit						
1.Buyer 4.Agent 7.Family			20.Industrial Bas						
2.Seller 5.Pub Rec 8.Other									
3.Lender 6.MLS 9.			Fract. Acre	Acres/Sites					
			21.Developed Pave	21	1.00	100	%	0	
			22.Undev Paved (F	28	0.67	100	%	0	
			23.Developed Grav						
			Acres						
			24.Undev Gravel (
			25.Comm Base Pave						
			26.Comm Base Grav						
			27.Backlot						
			28.Rear Land						
			29.Pavement						
			Total Acreage		1.67				

- 1.Unimproved
- 2.Excess Frtg
- 3.Topography
- 4.Size/Shape
- 5.Access
- 6.Restriction
- 7.Open Space
- 8.View/Environ
- 9.Fract Share
- Acres**
- 30.Utility R O W
- 31.Tillable
- 32.Pasture
- 33.Orchard
- 34.Softwood F&O
- 35.Mixed Wood F&O
- 36.Hardwood F&O
- 37.Softwood TG
- 38.Mixed Wood TG
- 39.Hardwood TG
- 40.Wasteland
- 41.Open Space
- 42.Mobile Home Si
- 43.Condo Site
- 44.Lot Improvemen
- 45.Subdivision Lo
- 46.Heavy Ind Sit

Washburn

Map Lot 009-001A

Account 250

Location 2252 WASHBURN ROAD

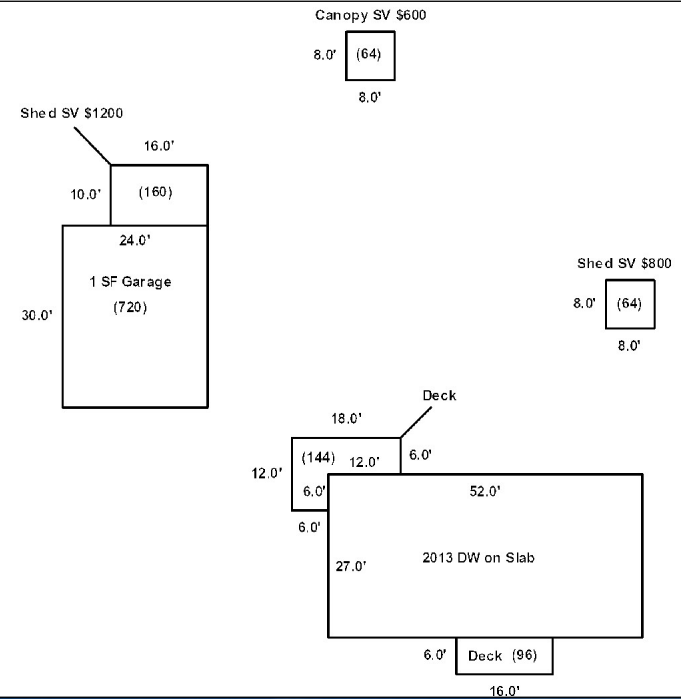
Card 1 Of 1 9/04/2024

Building Style 0	SF Bsmt Living 0	Layout 0
1.Conv. 5.Garrison 9.Gambrel	Fin Bsmt Grade 0 0	1.Typical 4. 7.
2.Ranch 6.Salt Box 10.Other	OPEN 5 OPTIONAL 0	2.Inadeq 5. 8.
3.R Ranch 7.Contemp 11.Split	Heat Type 100% 0	3.Pool 6. 9.
4.Cape 8.Log 12.	1.HWBB 5.FWA 9.No Heat	Attic 0
Dwelling Units 0	2.HWCI 6.GravWA 10.	1.1/4 Fin 4.Full Fin 7.
Other Units 0	3.H Pump 7.Electric 11.	2.1/2 Fin 5.F/Stair 8.
Stories 0	4.Steam 8.F/Wall 12.	3.3/4 Fin 6. 9.None
1.1 4.1.5 7.	Cool Type 0% 9 None	Insulation 0
2.2 5.1.75 8.	1.Refrig 4.W&C Air 7.	1.Full 4.Minimal 7.
3.3 6.2.5 9.	2.Evapor 5. 8.	2.Heavy 5.Partial 8.
Exterior Walls 0	3.H Pump 6. 9.None	3.Capped 6. 9.None
1.Wood 5.Stucco 9.T-111	Kitchen Style 0	Unfinished % 0%
2.Vin/Al 6.Brick 10.Other	1.Modern 4.Obsolete 7.	Grade & Factor 0 0%
3.Compos. 7.Stone 11.	2.Typical 5. 8.	1.E Grade 4.B Grade 7.
4.Asbestos 8.Concrete 12.	3.Old Type 6. 9.None	2.D Grade 5.A Grade 8.SC Grade
Roof Surface 0	Bath(s) Style 0	3.C Grade 6.AA Grade 9.Same
1.Asphalt 4.Composit 7.	1.Modern 4.Obsolete 7.	SQFT (Footprint) 0
2.Slate 5.Wood 8.	2.Typical 5. 8.	Condition 0
3.Metal 6.Other 9.	3.Old Type 6. 9.None	1.Poor 4.Avg 7.V G
SF Masonry Trim 0	# Rooms 0	2.Fair 5.Avg+ 8.Exc
OPEN-3-CUSTOM 0	# Bedrooms 0	3.Avg- 6.Good 9.Same
OPEN-4-CUSTOM 0	# Full Baths 0	Phys. % Good 0%
Year Built 0	# Half Baths 0	Funct. % Good 100%
Year Remodeled 0	# Addn Fixtures 0	Functional Code 9 None
Foundation 0	# Fireplaces 0	1.Incomp 4.Delap 7.No Power
1.Concrete 4.Wood 7.		2.O-Built 5.Bsmt 8.LongTerm
2.C Block 5.Slab 8.		3.Damage 6.Common 9.None
3.Br/Stone 6.Piers 9.		Econ. % Good 100%
Basement 0		Economic Code None
1.1/4 Bmt 4.Full Bmt 7.		0.None 3.No Power 7.
2.1/2 Bmt 5.None 8.		1.Location 4.Generate 8.
3.3/4 Bmt 6. 9.None		2.Encroach 9.None 9.
Bsmt Gar # Cars 0		Entrance Code 3 Information Only
Wet Basement 0		1.Interior 4.Vacant 7.
1.Dry 4. 7.		2.Refusal 5.Estimate 8.
2.Damp 5. 8.		3.Informed 6.Reviewed 9.
3.Wet 6. 9.		Information Code 1 Owner
		1.Owner 4.Agent 7.
		2.Relative 5.Estimate 8.
		3.Tenant 6.Other 9.

Date Inspected 11/15/2018

Additions, Outbuildings & Improvements

Type	Year	Units	Grade	Cond	Phys.	Funct.	Sound Value
992 Double Wide	2013	27x52	4 100	4	0 %	100 %	
48 Concrete Slab	2013	1404	2 115	4	0 %	100 %	
68 Wood Deck	2013	96	3 100	4	0 %	100 %	
68 Wood Deck	2013	144	3 100	4	0 %	100 %	
23 Frame Garage	1985	720	3 95	4	0 %	100 %	
24 Frame Shed	0				%	%	1,200
24 Frame Shed	0				%	%	800
61 Canopy	0				%	%	600
					%	%	
					%	%	



IRVING FARMS INC
PO BOX 667
WASHBURN ME 04786

B5090P214

Inspection Witnessed By:

No./Date	Description	Date Insp.
X		

Notes:

Washburn

Property Data			Assessment Record						
Neighborhood 1 Neighborhood One			Year	Land	Buildings	Exempt	Total		
Tree Growth Year 0			2013	32,500	0	0	32,500		
1ST MORTGAGE 0			2015	32,500	0	0	32,500		
2ND MORTGAGE 0			2018	32,500	0	0	32,500		
Zone/Land Use 1 Residential			2019	45,000	0	0	45,000		
Secondary Zone			2020	45,000	0	0	45,000		
Topography 2 Rolling			2021	45,000	0	0	45,000		
1.Level 4.Below St 7.LevelBog			2022	45,000	0	0	45,000		
2.Rolling 5.Low 8.			2023	52,200	0	0	52,200		
3.Above St 6.Swampy 9.			2024	52,200	0	0	52,200		
Utilities									
1.Public 4.Dr Well 7.Cesspool									
2.Water 5.Dug Well 8.									
3.Sewer 6.Septic 9.None									
Street 1 Paved									
1.Paved 4.Proposed 7.									
2.Semi Imp 5.R/O/W 8.									
3.Gravel 6. 9.None									
TG PLAN YEAR 0									
Tif District # 0									
Sale Data			Land Data						
Sale Date 8/15/2012			Front Foot	Type	Effective		Influence		Influence Codes
Price					Frontage	Depth	Factor	Code	
Sale Type 1 Land Only			11.Regular Lot					1.Unimproved	
1.Land 4.Mobile 7.C/I L&B			12.Delta Triangle					2.Excess Frtg	
2.L & B 5.Other 8.			13.Nabla Triangle					3.Topography	
3.Building 6.C/I Land 9.			14.Rear Land					4.Size/Shape	
Financing			15.Class I Road					5.Access	
1.Convent 4.Seller 7.								6.Restriction	
2.FHA/VA 5.Private 8.								7.Open Space	
3.Assumed 6.Cash 9.Unknown								8.View/Environ	
Validity 1 Arms Length Sale								9.Fract Share	
1.Valid 4.Split 7.Renovate			Square Foot	Square Feet				Acres	
2.Related 5.Partial 8.Other			16.Class II Road					30.Utility R O W	
3.Distress 6.Exempt 9.			17.Municipal Rese					31.Tillable	
Verified 5 Public Record			18.Munic Sep Lago					32.Pasture	
1.Buyer 4.Agent 7.Family			19.Gravel Pit					33.Orchard	
2.Seller 5.Pub Rec 8.Other			20.Industrial Bas					34.Softwood F&O	
3.Lender 6.MLS 9.			Fract. Acre	Acres/Sites				35.Mixed Wood F&O	
			21.Developed Pave	28	90.00	100	%	0	
			22.Undev Paved (F				%		
			23.Developed Grav				%		
			Acres				%		
			24.Undev Gravel (%		
			25.Comm Base Pave				%		
			26.Comm Base Grav				%		
			27.Backlot				%		
			28.Rear Land				%		
			29.Pavement				%		
			Total Acreage		90.00				
								44.Lot Improvemen	
								45.Subdivision Lo	
								46.Heavy Ind Sit	


Washburn

Map Lot 009-001B

Account 1117

Location WASHBURN ROAD

Card 1 Of 1 9/04/2024

Building Style 0	SF Bsmt Living 0	Layout 0					
1.Conv. 5.Garrison 9.Gambrel	Fin Bsmt Grade 0 0	1.Typical 4. 7.					
2.Ranch 6.Salt Box 10.Other	OPEN 5 OPTIONAL 0	2.Inadeq 5. 8.					
3.R Ranch 7.Contemp 11.Split	Heat Type 100% 0	3.Poor 6. 9.					
4.Cape 8.Log 12.	1.HWBB 5.FWA 9.No Heat	Attic 0					
Dwelling Units 0	2.HWCI 6.GravWA 10.	1.1/4 Fin 4.Full Fin 7.					
Other Units 0	3.H Pump 7.Electric 11.	2.1/2 Fin 5.FI/Stair 8.					
Stories 0	4.Steam 8.FI/Wall 12.	3.3/4 Fin 6. 9.None					
1.1 4.1.5 7.	Cool Type 0% 9 None	Insulation 0					
2.2 5.1.75 8.	1.Refrig 4.W&C Air 7.	1.Full 4.Minimal 7.					
3.3 6.2.5 9.	2.Evapor 5. 8.	2.Heavy 5.Partial 8.					
Exterior Walls 0	3.H Pump 6. 9.None	3.Capped 6. 9.None					
1.Wood 5.Stucco 9.T-111	Kitchen Style 0	Unfinished % 0%					
2.Vin/Al 6.Brick 10.Other	1.Modern 4.Obsolete 7.	Grade & Factor 0 0%					
3.Compos. 7.Stone 11.	2.Typical 5. 8.	1.E Grade 4.B Grade 7.					
4.Asbestos 8.Concrete 12.	3.Old Type 6. 9.None	2.D Grade 5.A Grade 8.SC Grade					
Roof Surface 0	Bath(s) Style 0	3.C Grade 6.AA Grade 9.Same					
1.Asphalt 4.Composit 7.	1.Modern 4.Obsolete 7.	SQFT (Footprint) 0					
2.Slate 5.Wood 8.	2.Typical 5. 8.	Condition 0					
3.Metal 6.Other 9.	3.Old Type 6. 9.None	1.Poor 4.Avg 7.V G					
SF Masonry Trim 0	# Rooms 0	2.Fair 5.Avg+ 8.Exc					
OPEN-3-CUSTOM 0	# Bedrooms 0	3.Avg- 6.Good 9.Same					
OPEN-4-CUSTOM 0	# Full Baths 0	Phys. % Good 0%					
Year Built 0	# Half Baths 0	Funct. % Good 100%					
Year Remodeled 0	# Addn Fixtures 0	Functional Code 9 None					
Foundation 0	# Fireplaces 0	1.Incomp 4.Delap 7.No Power					
1.Concrete 4.Wood 7.		2.O-Built 5.Bsmt 8.LongTerm					
2.C Block 5.Slab 8.		3.Damage 6.Common 9.None					
3.Br/Stone 6.Piers 9.		Econ. % Good 100%					
Basement 0		Economic Code None					
1.1/4 Bmt 4.Full Bmt 7.		0.None 3.No Power 7.					
2.1/2 Bmt 5.None 8.		1.Location 4.Generate 8.					
3.3/4 Bmt 6. 9.None		2.Encroach 9.None 9.					
Bsmt Gar # Cars 0		Entrance Code 0					
Wet Basement 0		1.Interior 4.Vacant 7.					
1.Dry 4. 7.		2.Refusal 5.Estimate 8.					
2.Damp 5. 8.	3.Informed 6.Reviewed 9.						
3.Wet 6. 9.	Information Code 0						
	1.Owner 4.Agent 7.						
	2.Relative 5.Estimate 8.						
	3.Tenant 6.Other 9.						

Date Inspected

Additions, Outbuildings & Improvements								
Type	Year	Units	Grade	Cond	Phys.	Funct.	Sound Value	
					%	%		1.One Story Fram
					%	%		2.Two Story Fram
					%	%		3.Three Story Fr
					%	%		4.1 & 1/2 Story
					%	%		5.1 & 3/4 Story
					%	%		6.2 & 1/2 Story
					%	%		21.Open Frame Por
					%	%		22.Encl Frame Por
					%	%		23.Frame Garage
					%	%		24.Frame Shed
					%	%		25.Frame Bay Wind
					%	%		26.1SFr Overhang
					%	%		27.Unfin Basement
					%	%		28.Unfinished Att
					%	%		29.Finished Attic

PLISSEY, CARROLL K
2290 WASHBURN ROAD
WASHBURN ME 04786

B1090P270

Inspection Witnessed By:

No./Date	Description	Date Insp.
X		

Notes:
* -15% for size obs. on barn.

Washburn

Property Data			Assessment Record						
Neighborhood 1 Neighborhood One			Year	Land	Buildings	Exempt	Total		
Tree Growth Year 0			2012	52,500	74,900	8,800	118,600		
1ST MORTGAGE 0			2013	68,200	74,900	8,800	134,300		
2ND MORTGAGE 0			2015	68,200	74,900	9,000	134,100		
Zone/Land Use 1 Residential			2018	68,200	74,900	18,400	124,700		
Secondary Zone			2019	120,900	79,900	20,000	180,800		
Topography 2 Rolling			2020	120,900	79,600	25,000	175,500		
1.Level 4.Below St 7.LevelBog			2021	120,900	79,900	25,000	175,800		
2.Rolling 5.Low 8.			2022	120,900	83,800	25,000	179,700		
3.Above St 6.Swampy 9.			2023	131,800	99,700	25,000	206,500		
Utilities 4 Drilled Well 6 Septic System			2024	131,800	99,700	25,000	206,500		
1.Public 4.Dr Well 7.Cesspool									
2.Water 5.Dug Well 8.									
3.Sewer 6.Septic 9.None									
Street 1 Paved									
1.Paved 4.Proposed 7.									
2.Semi Imp 5.R/O/W 8.									
3.Gravel 6. 9.None									
TG PLAN YEAR 0									
Tif District # 0									
Sale Data			Land Data						
Sale Date 10/12/1971			Front Foot	Type	Effective		Influence		Influence Codes
Price					Frontage	Depth	Factor	Code	
Sale Type 2 Land & Buildings			11.Regular Lot					1.Unimproved	
1.Land 4.Mobile 7.C/I L&B			12.Delta Triangle			%		2.Excess Frtg	
2.L & B 5.Other 8.			13.Nabla Triangle			%		3.Topography	
3.Building 6.C/I Land 9.			14.Rear Land			%		4.Size/Shape	
Financing			15.Class I Road			%		5.Access	
1.Convent 4.Seller 7.						%		6.Restriction	
2.FHA/VA 5.Private 8.						%		7.Open Space	
3.Assumed 6.Cash 9.Unknown						%		8.View/Environ	
Validity 1 Arms Length Sale			Square Foot	Square Feet				9.Fract Share	
1.Valid 4.Split 7.Renovate			16.Class II Road	29	2,000	75	%	0	
2.Related 5.Partial 8.Other			17.Municipal Rese				%		
3.Distress 6.Exempt 9.			18.Munic Sep Lago				%		
Verified 5 Public Record			19.Gravel Pit				%		
1.Buyer 4.Agent 7.Family			20.Industrial Bas				%		
2.Seller 5.Pub Rec 8.Other			Fract. Acre	Acreage/Sites					
3.Lender 6.MLS 9.			21.Developed Pave	21	1.00	100	%	0	
			22.Undev Paved (F	28	66.64	100	%	0	
			23.Developed Grav	31	67.36	100	%	0	
			Acres				%		
			24.Undev Gravel (%		
			25.Comm Base Pave				%		
			26.Comm Base Grav				%		
			27.Backlot				%		
			28.Rear Land				%		
			29.Pavement				%		
			Total Acreage		135.00				
								30.Utility R O W	
								31.Tillable	
								32.Pasture	
								33.Orchard	
								34.Softwood F&O	
								35.Mixed Wood F&O	
								36.Hardwood F&O	
								37.Softwood TG	
								38.Mixed Wood TG	
								39.Hardwood TG	
								40.Wasteland	
								41.Open Space	
								42.Mobile Home Si	
								43.Condo Site	
								44.Lot Improvemen	
								45.Subdivision Lo	
								46.Heavy Ind Sit	

Washburn

Map Lot 009-002

Account 621

Location 2290 WASHBURN ROAD

Card 1

Of 1

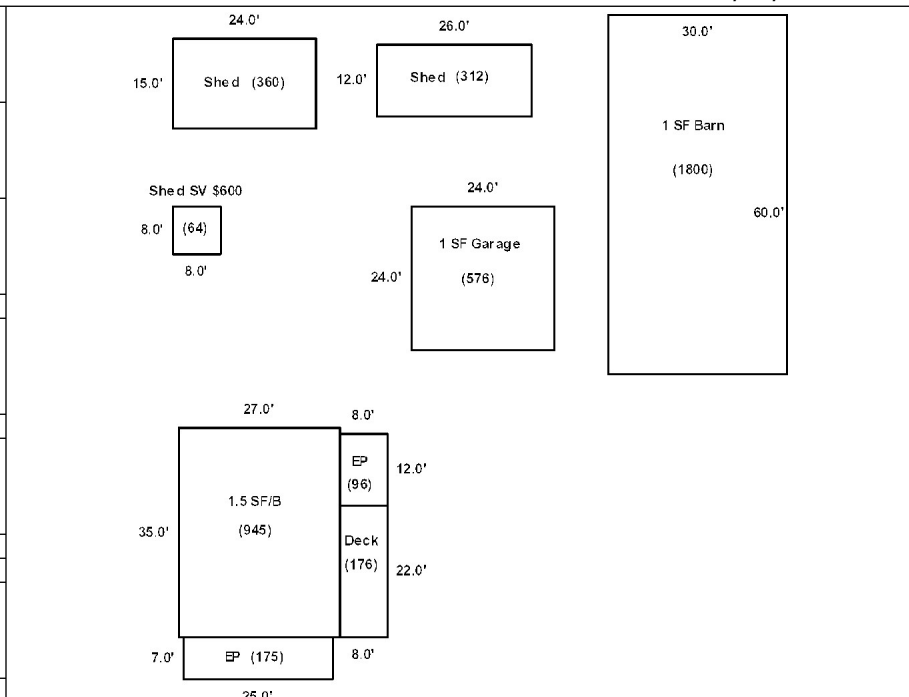
9/04/2024

Building Style	4 Cape Cod	SF Bsmt Living	0	Layout	1 Typical
1.Conv.	5.Garrison	9.Gambrel	Fin Bsmt Grade	0 0	1.Typical
2.Ranch	6.Salt Box	10.Other	OPEN 5 OPTIONAL	0	2.Inadeq
3.R Ranch	7.Contemp	11.Split	Heat Type	100% 5 Forced Warm Air	3.Pool
4.Cape	8.Log	12.	1.HWBB	5.FWA	9.No Heat
Dwelling Units	1	2.HWCI	6.GravWA	10.	Attic
Other Units	0	3.H Pump	7.Electric	11.	1.1/4 Fin
Stories	1 One Story	4.Steam	8.F/Wall	12.	4.Full Fin
1.1	4.1.5	7.	Cool Type	0% 9 None	7.
2.2	5.1.75	8.	1.Refrig	4.W&C Air	7.
3.3	6.2.5	9.	2.Evapor	5.	8.
Exterior Walls	2 Vinyl/Aluminum	3.H Pump	6.	9.None	3.Capped
1.Wood	5.Stucco	9.T-111	Kitchen Style	2 Typical	9.None
2.Vin/Al	6.Brick	10.Other	1.Modern	4.Obsolete	7.
3.Compos.	7.Stone	11.	2.Typical	5.	8.
4.Asbestos	8.Concrete	12.	3.Old Type	6.	9.None
Roof Surface	1 Asphalt Shingles	Bath(s) Style	2 Typical Bath(s)	1.Modern	4.Obsolete
1.Asphalt	4.Composit	7.	1.Modern	4.Obsolete	7.
2.Slate	5.Wood	8.	2.Typical	5.	8.
3.Metal	6.Other	9.	3.Old Type	6.	9.None
SF Masonry Trim	0	# Rooms	6	Unfinished %	0%
OPEN-3-CUSTOM	0	# Bedrooms	3	Grade & Factor	2 Fair 110%
OPEN-4-CUSTOM	0	# Full Baths	1	1.E Grade	4.B Grade
Year Built	1930	# Half Baths	1	7.	8.
Year Remodeled	0	# Addn Fixtures	0	2.D Grade	5.A Grade
Foundation	1 Concrete	# Fireplaces	0	3.C Grade	6.AA Grade
1.Concrete	4.Wood	7.	SQFT (Footprint)	945	9.Same
2.C Block	5.Slab	8.	Condition	5 Above Average	
3.Br/Stone	6.Piers	9.	1.Poor	4.Avg	7.V G
Basement	4 Full Basement	1.1/4 Bmt	4.Full Bmt	7.	2.Fair
1.1/4 Bmt	4.Full Bmt	7.	2.1/2 Bmt	5.None	8.
2.1/2 Bmt	5.None	8.	3.3/4 Bmt	6.	9.None
3.3/4 Bmt	6.	9.None	Bsmt Gar # Cars	0	
Wet Basement	1 Dry Basement				
1.Dry	4.	7.			
2.Damp	5.	8.			
3.Wet	6.	9.			

Date Inspected 11/15/2018

Additions, Outbuildings & Improvements

Type	Year	Units	Grade	Cond	Phys.	Funct.	Sound Value
22 Encl Frame Porch	1950	175	9 100	9	0 %	100 %	
68 Wood Deck	1985	176	9 100	9	0 %	100 %	
22 Encl Frame Porch	1965	96	9 100	9	0 %	100 %	
23 Frame Garage	1965	576	3 100	4	0 %	90 %	
59 Barn	1995	1800	3 100	4	0 %	65 %	
24 Frame Shed	1975	312	2 100	3	0 %	100 %	
24 Frame Shed	1985	360	2 110	3	0 %	100 %	
24 Frame Shed	0				%	%	600
					%	%	
					%	%	



Washburn

Map Lot 009-003


Account 540

Location 2504 WASHBURN ROAD

Card 1

Of 1

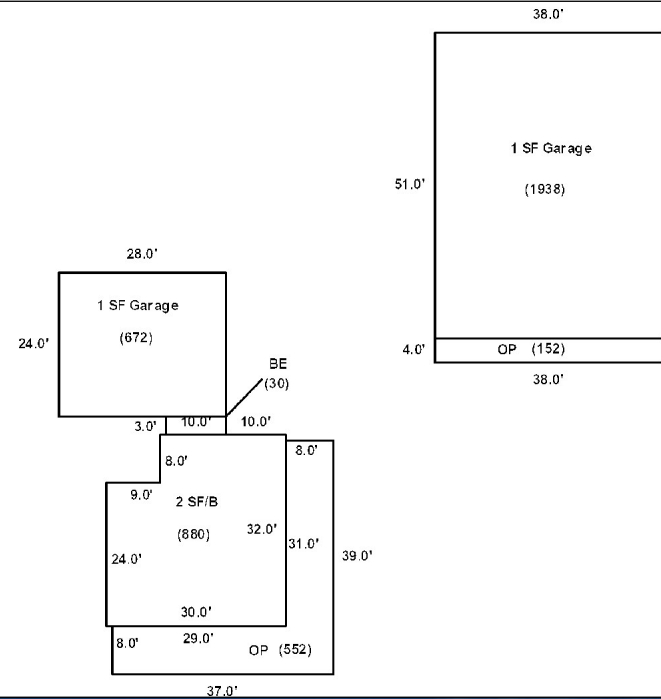
9/04/2024

Building Style 1 Conventional	SF Bsmt Living 0	Layout 1 Typical
1.Conv. 5.Garrison 9.Gambrel	Fin Bsmt Grade 0 0	1.Typical 4. 7.
2.Ranch 6.Salt Box 10.Other	OPEN 5 OPTIONAL 0	2.Inadeq 5. 8.
3.R Ranch 7.Contemp 11.Split	Heat Type 100% 5 Forced Warm Air	3.Poor 6. 9.
4.Cape 8.Log 12.	1.HWBB 5.FWA 9.No Heat	Attic 9 None
Dwelling Units 1	2.HWCI 6.GravWA 10.	1.1/4 Fin 4.Full Fin 7.
Other Units 0	3.H Pump 7.Electric 11.	2.1/2 Fin 5.FI/Stair 8.
Stories 2 Two Story	4.Steam 8.FI/Wall 12.	3.3/4 Fin 6. 9.None
1.1 4.1.5 7.	Cool Type 0% 9 None	Insulation 1 Full
2.2 5.1.75 8.	1.Refrig 4.W&C Air 7.	1.Full 4.Minimal 7.
3.3 6.2.5 9.	2.Evapor 5. 8.	2.Heavy 5.Partial 8.
Exterior Walls 2 Vinyl/Aluminum	3.H Pump 6. 9.None	3.Capped 6. 9.None
1.Wood 5.Stucco 9.T-111	Kitchen Style 2 Typical	Unfinished % 0%
2.Vin/Al 6.Brick 10.Other	1.Modern 4.Obsolete 7.	Grade & Factor 2 Fair 110%
3.Compos. 7.Stone 11.	2.Typical 5. 8.	1.E Grade 4.B Grade 7.
4.Asbestos 8.Concrete 12.	3.Old Type 6. 9.None	2.D Grade 5.A Grade 8.SC Grade
Roof Surface 1 Asphalt Shingles	Bath(s) Style 2 Typical Bath(s)	3.C Grade 6.AA Grade 9.Same
1.Asphalt 4.Composit 7.	1.Modern 4.Obsolete 7.	SQFT (Footprint) 880
2.Slate 5.Wood 8.	2.Typical 5. 8.	Condition 6 Good
3.Metal 6.Other 9.	3.Old Type 6. 9.None	1.Poor 4.Avg 7.V G
SF Masonry Trim 0	# Rooms 7	2.Fair 5.Avg+ 8.Exc
OPEN-3-CUSTOM 0	# Bedrooms 3	3.Avg- 6.Good 9.Same
OPEN-4-CUSTOM 0	# Full Baths 1	Phys. % Good 0%
Year Built 1913	# Half Baths 1	Funct. % Good 100%
Year Remodeled 0	# Addn Fixtures 0	Functional Code 9 None
Foundation 1 Concrete	# Fireplaces 1	1.Incomp 4.Delap 7.No Power
1.Concrete 4.Wood 7.		2.O-Built 5.Bsmt 8.LongTerm
2.C Block 5.Slab 8.		Econ. % Good 100%
3.Br/Stone 6.Piers 9.		Economic Code None
Basement 4 Full Basement		0.None 3.No Power 7.
1.1/4 Bmt 4.Full Bmt 7.		1.Location 4.Generate 8.
2.1/2 Bmt 5.None 8.		2.Encroach 9.None 9.
3.3/4 Bmt 6. 9.None		Entrance Code 1 Interior Inspect
Bsmt Gar # Cars 0		1.Interior 4.Vacant 7.
Wet Basement 1 Dry Basement		2.Refusal 5.Estimate 8.
1.Dry 4. 7.		3.Informed 6.Reviewed 9.
2.Damp 5. 8.	Information Code 1 Owner	
3.Wet 6. 9.	1.Owner 4.Agent 7.	
	2.Relative 5.Estimate 8.	
	3.Tenant 6.Other 9.	

Date Inspected 11/15/2018

Additions, Outbuildings & Improvements

Type	Year	Units	Grade	Cond	Phys.	Funct.	Sound Value
21 Open Frame	1930	552	3 95	5	0 %	100 %	
40 Basement Entry	1930	30	2 110	4	0 %	100 %	
23 Frame Garage	1940	672	3 95	5	0 %	90 %	
23 Frame Garage	1965	1938	3 95	4	0 %	85 %	
21 Open Frame	1965	152	3 95	4	0 %	100 %	
					%	%	
					%	%	
					%	%	
					%	%	
					%	%	
					%	%	
					%	%	



Washburn

Map Lot 009-003A

Account 542

Location WASHBURN ROAD

Card 1 Of 1 9/04/2024

Building Style 0	SF Bsmt Living 0	Layout 0
1.Conv. 5.Garrison 9.Gambrel	Fin Bsmt Grade 0 0	1.Typical 4. 7.
2.Ranch 6.Salt Box 10.Other	OPEN 5 OPTIONAL 0	2.Inadeq 5. 8.
3.R Ranch 7.Contemp 11.Split	Heat Type 100% 0	3.Poor 6. 9.
4.Cape 8.Log 12.	1.HWBB 5.FWA 9.No Heat	Attic 0
Dwelling Units 0	2.HWCI 6.GravWA 10.	1.1/4 Fin 4.Full Fin 7.
Other Units 0	3.H Pump 7.Electric 11.	2.1/2 Fin 5.F/ Stair 8.
Stories 0	4.Steam 8.F/ Wall 12.	3.3/4 Fin 6. 9.None
1.1 4.1.5 7.	Cool Type 0% 9 None	Insulation 0
2.2 5.1.75 8.	1.Refrig 4.W&C Air 7.	1.Full 4.Minimal 7.
3.3 6.2.5 9.	2.Evapor 5. 8.	2.Heavy 5.Partial 8.
Exterior Walls 0	3.H Pump 6. 9.None	3.Capped 6. 9.None
1.Wood 5.Stucco 9.T-111	Kitchen Style 0	Unfinished % 0%
2.Vin/Al 6.Brick 10.Other	1.Modern 4.Obsolete 7.	Grade & Factor 0 0%
3.Compos. 7.Stone 11.	2.Typical 5. 8.	1.E Grade 4.B Grade 7.
4.Asbestos 8.Concrete 12.	3.Old Type 6. 9.None	2.D Grade 5.A Grade 8.SC Grade
Roof Surface 0	Bath(s) Style 0	3.C Grade 6.AA Grade 9.Same
1.Asphalt 4.Composit 7.	1.Modern 4.Obsolete 7.	SQFT (Footprint) 0
2.Slate 5.Wood 8.	2.Typical 5. 8.	Condition 0
3.Metal 6.Other 9.	3.Old Type 6. 9.None	1.Poor 4.Avg 7.V G
SF Masonry Trim 0	# Rooms 0	2.Fair 5.Avg+ 8.Exc
OPEN-3-CUSTOM 0	# Bedrooms 0	3.Avg- 6.Good 9.Same
OPEN-4-CUSTOM 0	# Full Baths 0	Phys. % Good 0%
Year Built 0	# Half Baths 0	Funct. % Good 100%
Year Remodeled 0	# Addn Fixtures 0	Functional Code 9 None
Foundation 0	# Fireplaces 0	1.Incomp 4.Delap 7.No Power
1.Concrete 4.Wood 7.		2.O-Built 5.Bsmt 8.LongTerm
2.C Block 5.Slab 8.		3.Damage 6.Common 9.None
3.Br/Stone 6.Piers 9.		Econ. % Good 100%
Basement 0		Economic Code None
1.1/4 Bmt 4.Full Bmt 7.		0.None 3.No Power 7.
2.1/2 Bmt 5.None 8.		1.Location 4.Generate 8.
3.3/4 Bmt 6. 9.None		2.Encroach 9.None 9.
Bsmt Gar # Cars 0		Entrance Code 0
Wet Basement 0		1.Interior 4.Vacant 7.
1.Dry 4. 7.		2.Refusal 5.Estimate 8.
2.Damp 5. 8.	3.Informed 6.Reviewed 9.	
3.Wet 6. 9.	Information Code 0	
	1.Owner 4.Agent 7.	
	2.Relative 5.Estimate 8.	
	3.Tenant 6.Other 9.	

Date Inspected

Additions, Outbuildings & Improvements								
Type	Year	Units	Grade	Cond	Phys.	Funct.	Sound Value	
					%	%		1.One Story Fram
					%	%		2.Two Story Fram
					%	%		3.Three Story Fr
					%	%		4.1 & 1/2 Story
					%	%		5.1 & 3/4 Story
					%	%		6.2 & 1/2 Story
					%	%		21.Open Frame Por
					%	%		22.Encl Frame Por
					%	%		23.Frame Garage
					%	%		24.Frame Shed
					%	%		25.Frame Bay Wind
					%	%		26.1SFr Overhang
					%	%		27.Unfin Basement
					%	%		28.Unfinished Att
					%	%		29.Finished Attic

IRVING, STEVEN R
PO BOX 291
CARIBOU ME 04736

B1995P68

Inspection Witnessed By:

No./Date	Description	Date Insp.
X		

Notes:

Washburn

Property Data			Assessment Record						
Neighborhood 1 Neighborhood One			Year	Land	Buildings	Exempt	Total		
Tree Growth Year 0			2012	19,100	0	0	19,100		
1ST MORTGAGE 0			2013	24,800	0	0	24,800		
2ND MORTGAGE 0			2015	24,800	0	0	24,800		
Zone/Land Use 1 Residential			2018	24,800	0	0	24,800		
Secondary Zone			2019	47,700	0	0	47,700		
Topography 1 Level			2020	47,700	0	0	47,700		
1.Level 4.Below St 7.LevelBog			2021	47,700	0	0	47,700		
2.Rolling 5.Low 8.			2022	47,700	0	0	47,700		
3.Above St 6.Swampy 9.			2023	47,700	0	0	47,700		
Utilities			2024	47,700	0	0	47,700		
1.Public 4.Dr Well 7.Cesspool									
2.Water 5.Dug Well 8.									
3.Sewer 6.Septic 9.None									
Street 1 Paved									
1.Paved 4.Proposed 7.									
2.Semi Imp 5.R/O/W 8.									
3.Gravel 6. 9.None									
TG PLAN YEAR 0									
Tif District # 0									
Sale Data			Land Data						
Sale Date 6/08/1987			Front Foot	Type	Effective		Influence		Influence Codes
Price					Frontage	Depth	Factor	Code	
Sale Type 1 Land Only			11.Regular Lot					1.Unimproved	
1.Land 4.Mobile 7.C/I L&B			12.Delta Triangle					2.Excess Frtg	
2.L & B 5.Other 8.			13.Nabla Triangle					3.Topography	
3.Building 6.C/I Land 9.			14.Rear Land					4.Size/Shape	
Financing			15.Class I Road					5.Access	
1.Convent 4.Seller 7.								6.Restriction	
2.FHA/VA 5.Private 8.								7.Open Space	
3.Assumed 6.Cash 9.Unknown								8.View/Environ	
Validity 2 Related Parties								9.Fract Share	
1.Valid 4.Split 7.Renovate			Square Foot	Square Feet				Acres	
2.Related 5.Partial 8.Other			16.Class II Road					30.Utility R O W	
3.Distress 6.Exempt 9.			17.Municipal Rese					31.Tillable	
Verified 5 Public Record			18.Munic Sep Lago					32.Pasture	
1.Buyer 4.Agent 7.Family			19.Gravel Pit					33.Orchard	
2.Seller 5.Pub Rec 8.Other			20.Industrial Bas					34.Softwood F&O	
3.Lender 6.MLS 9.								35.Mixed Wood F&O	
			Fract. Acre					36.Hardwood F&O	
			21.Developed Pave	31	47.67	100	%	0	
			22.Undev Paved (F					%	
			23.Developed Grav					%	
			Acres					%	
			24.Undev Gravel (%	
			25.Comm Base Pave					%	
			26.Comm Base Grav					%	
			27.Backlot					%	
			28.Rear Land					%	
			29.Pavement					%	
			Total Acreage				47.67		
								44.Lot Improvemen	
								45.Subdivision Lo	
								46.Heavy Ind Sit	


Washburn

Map Lot 009-003B

Account 543

Location WASHBURN ROAD

Card 1 Of 1 9/04/2024

Building Style 0	SF Bsmt Living 0	Layout 0
1.Conv. 5.Garrison 9.Gambrel	Fin Bsmt Grade 0 0	1.Typical 4. 7.
2.Ranch 6.Salt Box 10.Other	OPEN 5 OPTIONAL 0	2.Inadeq 5. 8.
3.R Ranch 7.Contemp 11.Split	Heat Type 100% 0	3.Poor 6. 9.
4.Cape 8.Log 12.	1.HWBB 5.FWA 9.No Heat	Attic 0
Dwelling Units 0	2.HWCI 6.GravWA 10.	1.1/4 Fin 4.Full Fin 7.
Other Units 0	3.H Pump 7.Electric 11.	2.1/2 Fin 5.FI/Stair 8.
Stories 0	4.Steam 8.FI/Wall 12.	3.3/4 Fin 6. 9.None
1.1 4.1.5 7.	Cool Type 0% 9 None	Insulation 0
2.2 5.1.75 8.	1.Refrig 4.W&C Air 7.	1.Full 4.Minimal 7.
3.3 6.2.5 9.	2.Evapor 5. 8.	2.Heavy 5.Partial 8.
Exterior Walls 0	3.H Pump 6. 9.None	3.Capped 6. 9.None
1.Wood 5.Stucco 9.T-111	Kitchen Style 0	Unfinished % 0%
2.Vin/Al 6.Brick 10.Other	1.Modern 4.Obsolete 7.	Grade & Factor 0 0%
3.Compos. 7.Stone 11.	2.Typical 5. 8.	1.E Grade 4.B Grade 7.
4.Asbestos 8.Concrete 12.	3.Old Type 6. 9.None	2.D Grade 5.A Grade 8.SC Grade
Roof Surface 0	Bath(s) Style 0	3.C Grade 6.AA Grade 9.Same
1.Asphalt 4.Composit 7.	1.Modern 4.Obsolete 7.	SQFT (Footprint) 0
2.Slate 5.Wood 8.	2.Typical 5. 8.	Condition 0
3.Metal 6.Other 9.	3.Old Type 6. 9.None	1.Poor 4.Avg 7.V G
SF Masonry Trim 0	# Rooms 0	2.Fair 5.Avg+ 8.Exc
OPEN-3-CUSTOM 0	# Bedrooms 0	3.Avg- 6.Good 9.Same
OPEN-4-CUSTOM 0	# Full Baths 0	Phys. % Good 0%
Year Built 0	# Half Baths 0	Funct. % Good 100%
Year Remodeled 0	# Addn Fixtures 0	Functional Code 9 None
Foundation 0	# Fireplaces 0	1.Incomp 4.Delap 7.No Power
1.Concrete 4.Wood 7.		2.O-Built 5.Bsmt 8.LongTerm
2.C Block 5.Slab 8.		3.Damage 6.Common 9.None
3.Br/Stone 6.Piers 9.		Econ. % Good 100%
Basement 0		Economic Code None
1.1/4 Bmt 4.Full Bmt 7.		0.None 3.No Power 7.
2.1/2 Bmt 5.None 8.		1.Location 4.Generate 8.
3.3/4 Bmt 6. 9.None		2.Encroach 9.None 9.
Bsmt Gar # Cars 0		Entrance Code 0
Wet Basement 0		1.Interior 4.Vacant 7.
1.Dry 4. 7.		2.Refusal 5.Estimate 8.
2.Damp 5. 8.	3.Informed 6.Reviewed 9.	
3.Wet 6. 9.	Information Code 0	
		1.Owner 4.Agent 7.
		2.Relative 5.Estimate 8.
		3.Tenant 6.Other 9.

Date Inspected

Additions, Outbuildings & Improvements

Type	Year	Units	Grade	Cond	Phys.	Funct.	Sound Value
					%	%	1.One Story Fram
					%	%	2.Two Story Fram
					%	%	3.Three Story Fr
					%	%	4.1 & 1/2 Story
					%	%	5.1 & 3/4 Story
					%	%	6.2 & 1/2 Story
					%	%	21.Open Frame Por
					%	%	22.Encl Frame Por
					%	%	23.Frame Garage
					%	%	24.Frame Shed
					%	%	25.Frame Bay Wind
					%	%	26.1SFr Overhang
					%	%	27.Unfin Basement
					%	%	28.Unfinished Att
					%	%	29.Finished Attic

Washburn

Map Lot 009-003C


Account 247

Location 1211 CARSON ROAD

Card 1

Of 1

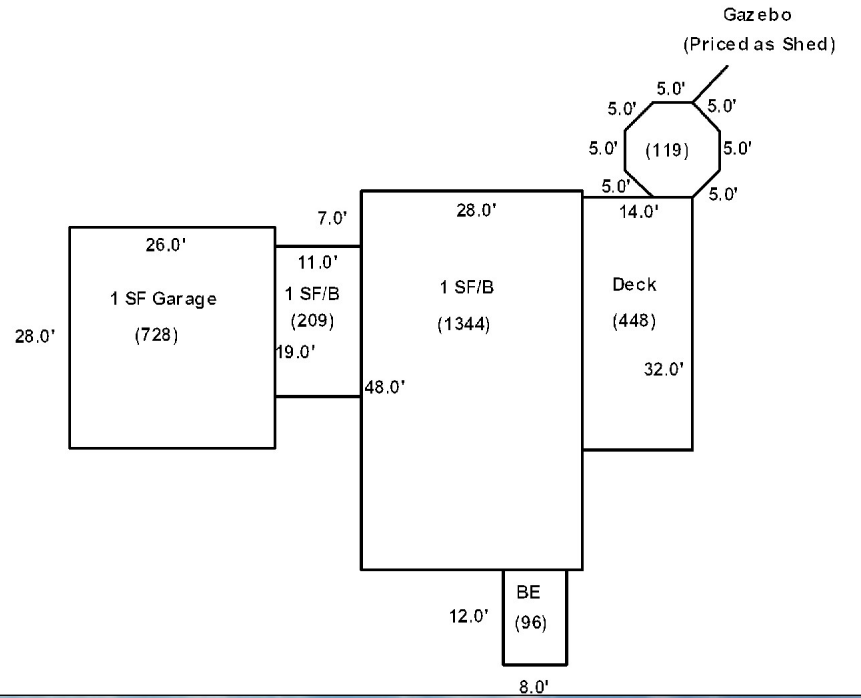
9/04/2024

Building Style	2 Ranch		SF Bsmt Living	0		Layout	1 Typical							
1.Conv.	5.Garrison	9.Gambrel	Fin Bsmt Grade	0 0		1.Typical	4.	7.						
2.Ranch	6.Salt Box	10.Other	OPEN 5 OPTIONAL	0		2.Inadeq	5.	8.						
3.R Ranch	7.Contemp	11.Split	Heat Type	100% 1 Hot Water BB		3.Poor	6.	9.						
4.Cape	8.Log	12.	1.HWBB	5.FWA	9.No Heat	Attic	9 None							
Dwelling Units	1		2.HWCI	6.GravWA	10.	1.1/4 Fin	4.Full Fin	7.						
Other Units	0		3.H Pump	7.Electric	11.	2.1/2 Fin	5.FI/Stair	8.						
Stories	1 One Story		4.Steam	8.FI/Wall	12.	3.3/4 Fin	6.	9.None						
1.1	4.1.5	7.	Cool Type	0% 9 None		Insulation	1 Full							
2.2	5.1.75	8.	1.Refrig	4.W&C Air	7.	1.Full	4.Minimal	7.						
3.3	6.2.5	9.	2.Evapor	5.	8.	2.Heavy	5.Partial	8.						
Exterior Walls	2 Vinyl/Aluminum		3.H Pump	6.	9.None	3.Capped	6.	9.None						
1.Wood	5.Stucco	9.T-111	Kitchen Style	2 Typical		Unfinished %	0%							
2.Vin/Al	6.Brick	10.Other	1.Modern	4.Obsolete	7.	Grade & Factor	3 Average 115%							
3.Compos.	7.Stone	11.	2.Typical	5.	8.	1.E Grade	4.B Grade	7.						
4.Asbestos	8.Concrete	12.	3.Old Type	6.	9.None	2.D Grade	5.A Grade	8.SC Grade						
Roof Surface	1 Asphalt Shingles		Bath(s) Style	2 Typical Bath(s)		3.C Grade	6.AA Grade	9.Same						
1.Asphalt	4.Composit	7.	1.Modern	4.Obsolete	7.	SQFT (Footprint)	1344							
2.Slate	5.Wood	8.	2.Typical	5.	8.	Condition	5 Above Average							
3.Metal	6.Other	9.	3.Old Type	6.	9.None	1.Poor	4.Avg	7.V G						
SF Masonry Trim	0		# Rooms	5		2.Fair	5.Avg+	8.Exc						
OPEN-3-CUSTOM	0		# Bedrooms	2		3.Avg-	6.Good	9.Same						
OPEN-4-CUSTOM	0		# Full Baths	2		Phys. % Good	0%							
Year Built	1995		# Half Baths	0		Funct. % Good	100%							
Year Remodeled	0		# Addn Fixtures	0		Functional Code	9 None							
Foundation	1 Concrete		# Fireplaces	0		1.Incomp	4.Delap	7.No Power						
1.Concrete	4.Wood	7.							2.O-Built	5.Bsmt	8.LongTerm			
2.C Block	5.Slab	8.							Economic Code	None		3.Damage	6.Common	9.None
3.Br/Stone	6.Piers	9.							0.None	3.No Power	7.	Entrance Code	1 Interior Inspect	
Basement	4 Full Basement								1.Location	4.Generate	8.	1.Interior	4.Vacant	7.
1.1/4 Bmt	4.Full Bmt	7.							2.Encroach	9.None	9.	2.Refusal	5.Estimate	8.
2.1/2 Bmt	5.None	8.							Information Code	1 Owner		3.Informed	6.Reviewed	9.
3.3/4 Bmt	6.	9.None							1.Owner	4.Agent	7.	2.Relative	5.Estimate	8.
Bsmt Gar # Cars	0								3.Tenant	6.Other	9.			
Wet Basement	1 Dry Basement													
1.Dry	4.	7.												
2.Damp	5.	8.												
3.Wet	6.	9.												

Date Inspected 11/15/2018

Additions, Outbuildings & Improvements

Type	Year	Units	Grade	Cond	Phys.	Funct.	Sound Value
40 Basement Entry	1995	96	9 100	9	0 %	100 %	
20 1 Story/Bsmt	1995	209	9 100	9	0 %	100 %	
23 Frame Garage	2010	728	3 100	4	0 %	85 %	
68 Wood Deck	1995	448	2 110	4	0 %	100 %	
24 Frame Shed	1995	119	3 100	4	0 %	100 %	
					%	%	
					%	%	
					%	%	
					%	%	
					%	%	
					%	%	
					%	%	
					%	%	



WILKINS, BLAINE
 GIGGEY, LENA
 1189 Carson Road
 Washburn ME 04786

B5816P250

Previous Owner
 VAUGHN, LINDSEY R. (BEAUPRE)
 1189 CARSON ROAD

WASHBURN ME 04786
 Sale Date: 9/04/2018

Inspection Witnessed By:

X	Date
No./Date	Description

Notes:
 *2-18-2019 MH HUD # NTA 337707.

Washburn

Property Data			Assessment Record				
Neighborhood 1 Neighborhood One			Year	Land	Buildings	Exempt	Total
Tree Growth Year 0			2012	7,000	37,500	8,800	35,700
1ST MORTGAGE 0			2013	9,000	37,500	8,800	37,700
2ND MORTGAGE 0			2015	9,000	37,500	9,000	37,500
Zone/Land Use 1 Residential			2018	9,000	37,500	18,400	28,100
Secondary Zone			2019	17,000	30,300	0	47,300
Topography 2 Rolling			2020	17,000	30,300	25,000	22,300
1.Level 4.Below St 7.LevelBog			2021	17,000	30,300	25,000	22,300
2.Rolling 5.Low 8.			2022	17,000	31,900	25,000	23,900
3.Above St 6.Swampy 9.			2023	22,500	37,900	25,000	35,400
Utilities 4 Drilled Well 6 Septic System			2024	22,500	37,900	25,000	35,400
1.Public 4.Dr Well 7.Cesspool							
2.Water 5.Dug Well 8.							
3.Sewer 6.Septic 9.None							
Street 1 Paved							
1.Paved 4.Proposed 7.							
2.Semi Imp 5.R/O/W 8.							
3.Gravel 6. 9.None							
TG PLAN YEAR 0							
Tif District # 0							
Sale Data							
Sale Date 9/04/2018							
Price 50,000							
Sale Type 2 Land & Buildings							
1.Land 4.Mobile 7.C/I L&B							
2.L & B 5.Other 8.							
3.Building 6.C/I Land 9.							
Financing 1 Conventional							
1.Convent 4.Seller 7.							
2.FHA/VA 5.Private 8.							
3.Assumed 6.Cash 9.Unknown							
Validity 1 Arms Length Sale							
1.Valid 4.Split 7.Renovate							
2.Related 5.Partial 8.Other							
3.Distress 6.Exempt 9.							
Verified 5 Public Record							
1.Buyer 4.Agent 7.Family							
2.Seller 5.Pub Rec 8.Other							
3.Lender 6.MLS 9.							

Land Data						
Front Foot	Type	Effective		Influence		Influence Codes
		Frontage	Depth	Factor	Code	
11.Regular Lot				%		1.Unimproved
12.Delta Triangle				%		2.Excess Frtg
13.Nabla Triangle				%		3.Topography
14.Rear Land				%		4.Size/Shape
15.Class I Road				%		5.Access
				%		6.Restriction
				%		7.Open Space
				%		8.View/Environ
				%		9.Fract Share
Square Foot		Square Feet				Acres
16.Class II Road				%		30.Utility R O W
17.Municipal Rese				%		31.Tillable
18.Munic Sep Lago				%		32.Pasture
19.Gravel Pit				%		33.Orchard
20.Industrial Bas				%		34.Softwood F&O
				%		35.Mixed Wood F&O
				%		36.Hardwood F&O
				%		37.Softwood TG
				%		38.Mixed Wood TG
				%		39.Hardwood TG
				%		40.Wasteland
				%		41.Open Space
				%		42.Mobile Home Si
				%		43.Condo Site
				%		44.Lot Improvemen
				%		45.Subdivision Lo
				%		46.Heavy Ind Sit
Total Acreage				1.90		

Washburn

Map Lot 009-003D

Account 615

Location 1189 CARSON ROAD

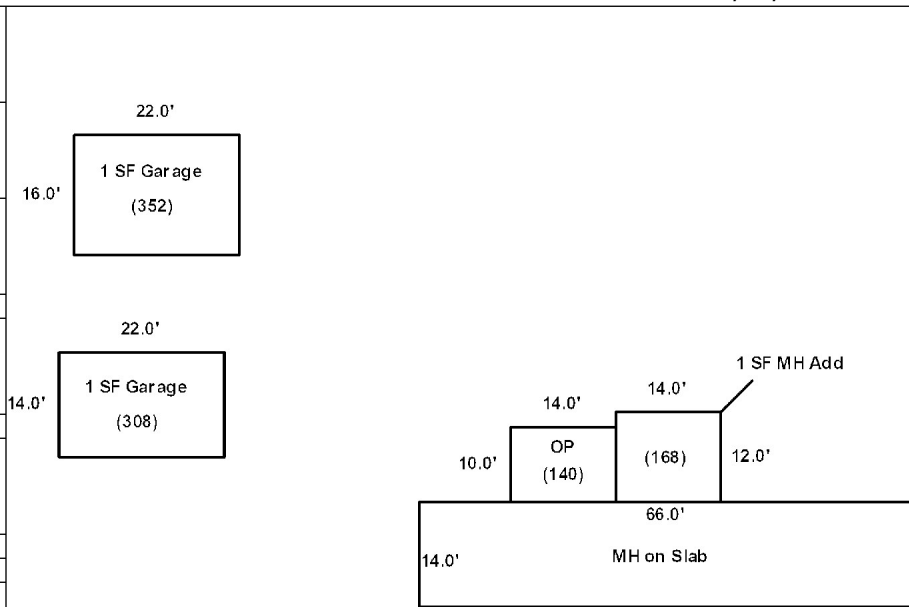
Card 1 Of 1 9/04/2024

Building Style 0	SF Bsmt Living 0	Layout 0
1.Conv. 5.Garrison 9.Gambrel	Fin Bsmt Grade 0 0	1.Typical 4. 7.
2.Ranch 6.Salt Box 10.Other	OPEN 5 OPTIONAL 0	2.Inadeq 5. 8.
3.R Ranch 7.Contemp 11.Split	Heat Type 100% 0	3.Poor 6. 9.
4.Cape 8.Log 12.	1.HWBB 5.FWA 9.No Heat	Attic 0
Dwelling Units 0	2.HWCI 6.GravWA 10.	1.1/4 Fin 4.Full Fin 7.
Other Units 0	3.H Pump 7.Electric 11.	2.1/2 Fin 5.FI/Stair 8.
Stories 0	4.Steam 8.FI/Wall 12.	3.3/4 Fin 6. 9.None
1.1 4.1.5 7.	Cool Type 0% 9 None	Insulation 0
2.2 5.1.75 8.	1.Refrig 4.W&C Air 7.	1.Full 4.Minimal 7.
3.3 6.2.5 9.	2.Evapor 5. 8.	2.Heavy 5.Partial 8.
Exterior Walls 0	3.H Pump 6. 9.None	3.Capped 6. 9.None
1.Wood 5.Stucco 9.T-111	Kitchen Style 0	Unfinished % 0%
2.Vin/Al 6.Brick 10.Other	1.Modern 4.Obsolete 7.	Grade & Factor 0 0%
3.Compos. 7.Stone 11.	2.Typical 5. 8.	1.E Grade 4.B Grade 7.
4.Asbestos 8.Concrete 12.	3.Old Type 6. 9.None	2.D Grade 5.A Grade 8.SC Grade
Roof Surface 0	Bath(s) Style 0	3.C Grade 6.AA Grade 9.Same
1.Asphalt 4.Composit 7.	1.Modern 4.Obsolete 7.	SQFT (Footprint) 0
2.Slate 5.Wood 8.	2.Typical 5. 8.	Condition 0
3.Metal 6.Other 9.	3.Old Type 6. 9.None	1.Poor 4.Avg 7.V G
SF Masonry Trim 0	# Rooms 0	2.Fair 5.Avg+ 8.Exc
OPEN-3-CUSTOM 0	# Bedrooms 0	3.Avg- 6.Good 9.Same
OPEN-4-CUSTOM 0	# Full Baths 0	Phys. % Good 0%
Year Built 0	# Half Baths 0	Funct. % Good 100%
Year Remodeled 0	# Addn Fixtures 0	Functional Code 9 None
Foundation 0	# Fireplaces 0	1.Incomp 4.Delap 7.No Power
1.Concrete 4.Wood 7.	 <p>TRIO Software A Division of Harris Computer Systems</p>	2.O-Built 5.Bsmt 8.LongTerm
2.C Block 5.Slab 8.		3.Damage 6.Common 9.None
3.Br/Stone 6.Piers 9.		Econ. % Good 100%
Basement 0		Economic Code None
1.1/4 Bmt 4.Full Bmt 7.		0.None 3.No Power 7.
2.1/2 Bmt 5.None 8.		1.Location 4.Generate 8.
3.3/4 Bmt 6. 9.None		2.Encroach 9.None 9.
Bsmt Gar # Cars 0		Entrance Code 3 Information Only
Wet Basement 0		1.Interior 4.Vacant 7.
1.Dry 4. 7.		2.Refusal 5.Estimate 8.
2.Damp 5. 8.	3.Informed 6.Reviewed 9.	
3.Wet 6. 9.	Information Code 3 Tenant	
		1.Owner 4.Agent 7.
		2.Relative 5.Estimate 8.
		3.Tenant 6.Other 9.

Date Inspected 11/15/2018

Additions, Outbuildings & Improvements

Type	Year	Units	Grade	Cond	Phys.	Funct.	Sound Value
998 14Mobile Home	1994	14x66	4 100	7	0 %	100 %	
48 Concrete Slab	1994	924	2 110	4	0 %	100 %	
18 1 S-MH add	2000	168	2 115	3	0 %	100 %	
21 Open Frame	1998	140	2 115	3	0 %	100 %	
23 Frame Garage	1980	352	3 95	4	0 %	100 %	
23 Frame Garage	1980	308	3 95	4	0 %	100 %	
					%	%	
					%	%	
					%	%	
					%	%	



IRVING, SCOTT K
IRVING, FILOMENA
2406 WASHBURN ROAD
WASHBURN ME 04786

B4295P14

Previous Owner
Irving, Scott K.
Irving, Filomena
2406 Washburn Road
Washburn ME 04786
Sale Date: 1/01/2007

Inspection Witnessed By:

No./Date	Description	Date Insp.
X		

Notes:
*1-4-2019 -10% for attached garage, -15% for size obs. on barn. -20% for attached shed and Garage.

Washburn

Property Data			Assessment Record						
Neighborhood 1 Neighborhood One			Year	Land	Buildings	Exempt	Total		
Tree Growth Year 0			2012	12,300	158,400	8,800	161,900		
1ST MORTGAGE 0			2013	16,000	158,400	8,800	165,600		
2ND MORTGAGE 0			2015	16,000	158,400	9,000	165,400		
Zone/Land Use 1 Residential			2018	16,000	158,400	18,400	156,000		
Secondary Zone			2019	35,600	179,800	20,000	195,400		
Topography 2 Rolling			2020	35,600	179,800	25,000	190,400		
1.Level 4.Below St 7.LevelBog			2021	35,600	179,800	25,000	190,400		
2.Rolling 5.Low 8.			2022	35,600	188,800	25,000	199,400		
3.Above St 6.Swampy 9.			2023	41,100	224,700	25,000	240,800		
Utilities 4 Drilled Well 6 Septic System			2024	41,100	224,700	25,000	240,800		
1.Public 4.Dr Well 7.Cesspool									
2.Water 5.Dug Well 8.									
3.Sewer 6.Septic 9.None									
Street 1 Paved									
1.Paved 4.Proposed 7.									
2.Semi Imp 5.R/O/W 8.									
3.Gravel 6. 9.None									
TG PLAN YEAR 0									
Tif District # 0									
Sale Data			Land Data						
Sale Date 1/25/1996			Front Foot	Type	Effective		Influence		Influence Codes
Price					Frontage	Depth	Factor	Code	
Sale Type 2 Land & Buildings			11.Regular Lot					1.Unimproved	
1.Land 4.Mobile 7.C/I L&B			12.Delta Triangle			%		2.Excess Frtg	
2.L & B 5.Other 8.			13.Nabla Triangle			%		3.Topography	
3.Building 6.C/I Land 9.			14.Rear Land			%		4.Size/Shape	
Financing			15.Class I Road			%		5.Access	
1.Convent 4.Seller 7.						%		6.Restriction	
2.FHA/VA 5.Private 8.						%		7.Open Space	
3.Assumed 6.Cash 9.Unknown						%		8.View/Environ	
Validity 2 Related Parties			Square Foot	Square Feet				9.Fract Share	
1.Valid 4.Split 7.Renovate			16.Class II Road	29	2,500	75	%	0	
2.Related 5.Partial 8.Other			17.Municipal Rese					%	
3.Distress 6.Exempt 9.			18.Munic Sep Lago					%	
Verified 5 Public Record			19.Gravel Pit					%	
1.Buyer 4.Agent 7.Family			20.Industrial Bas					%	
2.Seller 5.Pub Rec 8.Other			Fract. Acre	Acreege/Sites				%	
3.Lender 6.MLS 9.			21.Developed Pave	21	1.00	100	%	0	
			22.Undev Paved (F	31	14.32	100	%	0	
			23.Developed Grav	40	1.00	100	%	0	
			Acres					%	
			24.Undev Gravel (%	
			25.Comm Base Pave					%	
			26.Comm Base Grav					%	
			27.Backlot					%	
			28.Rear Land					%	
			29.Pavement					%	
			Total Acreege		16.32				
								30.Utility R O W	
								31.Tillable	
								32.Pasture	
								33.Orchard	
								34.Softwood F&O	
								35.Mixed Wood F&O	
								36.Hardwood F&O	
								37.Softwood TG	
								38.Mixed Wood TG	
								39.Hardwood TG	
								40.Wasteland	
								41.Open Space	
								42.Mobile Home Si	
								43.Condo Site	
								44.Lot Improvemen	
								45.Subdivision Lo	
								46.Heavy Ind Sit	

Washburn

Map Lot 009-003E

Account 539

Location 2406 WASHBURN ROAD

Card 1

Of 1

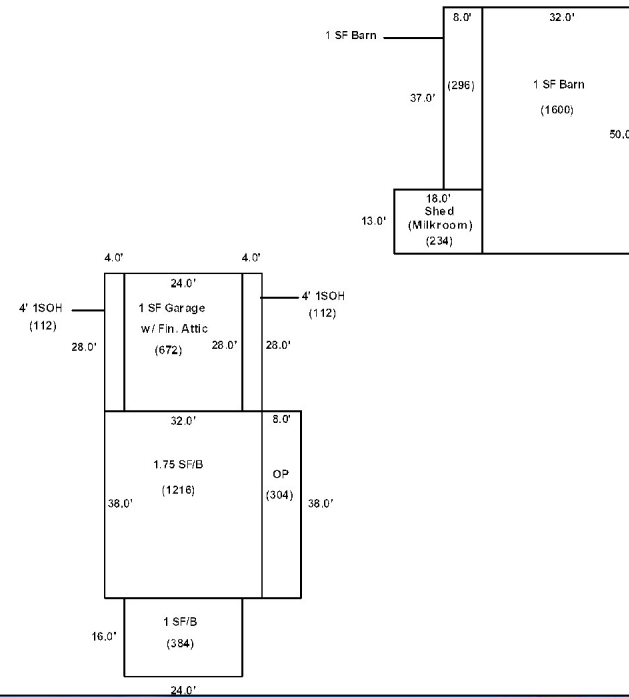
9/04/2024

Building Style	4 Cape Cod	SF Bsmt Living	0	Layout	1 Typical
1.Conv.	5.Garrison	9.Gambrel	Fin Bsmt Grade	0 0	1.Typical
2.Ranch	6.Salt Box	10.Other	OPEN 5 OPTIONAL	0	2.Inadeq
3.R Ranch	7.Contemp	11.Split	Heat Type	100% 1 Hot Water BB	3.Poor
4.Cape	8.Log	12.	1.HWBB	5.FWA	9.No Heat
Dwelling Units	1	2.HWCI	6.GravWA	10.	Attic
Other Units	0	3.H Pump	7.Electric	11.	1.1/4 Fin
Stories	5 One & 3/4 Story	4.Steam	8.Fi/Wall	12.	4.Full Fin
1.1	4.1.5	7.	Cool Type	0% 9 None	7.
2.2	5.1.75	8.	1.Refrig	4.W&C Air	7.
3.3	6.2.5	9.	2.Evapor	5.	8.
Exterior Walls	2 Vinyl/Aluminum	3.H Pump	6.	9.None	Insulation
1.Wood	5.Stucco	9.T-111	Kitchen Style	2 Typical	1 Full
2.Vin/Al	6.Brick	10.Other	1.Modern	4.Obsolete	7.
3.Compos.	7.Stone	11.	2.Typical	5.	8.
4.Asbestos	8.Concrete	12.	3.Old Type	6.	9.None
Roof Surface	1 Asphalt Shingles	Bath(s) Style	2 Typical Bath(s)	1.Modern	4.Obsolete
1.Asphalt	4.Composit	7.	1.Modern	4.Obsolete	7.
2.Slate	5.Wood	8.	2.Typical	5.	8.
3.Metal	6.Other	9.	3.Old Type	6.	9.None
SF Masonry Trim	0	# Rooms	8	Unfinished %	0%
OPEN-3-CUSTOM	0	# Bedrooms	4	Grade & Factor	3 Average 110%
OPEN-4-CUSTOM	0	# Full Baths	3	1.E Grade	4.B Grade
Year Built	1997	# Half Baths	0	7.	8.
Year Remodeled	0	# Addn Fixtures	0	2.D Grade	5.A Grade
Foundation	1 Concrete	# Fireplaces	1	8.	8.SC Grade
1.Concrete	4.Wood	7.	SQFT (Footprint)	1216	9.Same
2.C Block	5.Slab	8.	Condition	4 Average	
3.Br/Stone	6.Piers	9.	1.Poor	4.Avg	7.V G
Basement	4 Full Basement		2.Fair	5.Avg+	8.Exc
1.1/4 Bmt	4.Full Bmt	7.	3.Avg-	6.Good	9.Same
2.1/2 Bmt	5.None	8.	Phys. % Good	0%	
3.3/4 Bmt	6.	9.None	Funct. % Good	100%	
Bsmt Gar # Cars	0		Functional Code	9 None	
Wet Basement	1 Dry Basement		1.Incomp	4.Delap	7.No Power
1.Dry	4.	7.	2.O-Built	5.Bsmt	8.LongTerm
2.Damp	5.	8.	3.Damage	6.Common	9.None
3.Wet	6.	9.	Econ. % Good	100%	
			Economic Code	None	
			0.None	3.No Power	7.
			1.Location	4.Generate	8.
			2.Encroach	9.None	9.
			Entrance Code	1 Interior Inspect	
			1.Interior	4.Vacant	7.
			2.Refusal	5.Estimate	8.
			3.Informed	6.Reviewed	9.
			Information Code	1 Owner	
			1.Owner	4.Agent	7.
			2.Relative	5.Estimate	8.
			3.Tenant	6.Other	9.

Date Inspected 11/15/2018

Additions, Outbuildings & Improvements

Type	Year	Units	Grade	Cond	Phys.	Funct.	Sound Value
20 1 Story/Bsmt	1997	384	9 100	9	0 %	100 %	
21 Open Frame	1997	304	3 100	4	0 %	100 %	
23 Frame Garage	1997	672	3 105	4	0 %	80 %	
29 Finished Attic	1997	672	2 110	4	0 %	100 %	
26 1SFr Overhang	1997	112	3 100	4	0 %	100 %	
26 1SFr Overhang	1997	112	3 100	4	0 %	100 %	
24 Frame Shed	1900	234	2 110	4	0 %	80 %	
59 Barn	1900	296	2 110	5	0 %	80 %	
59 Barn	1900	1600	2 115	5	0 %	85 %	
					%	%	



AROOSTOOK RENTAL HOUSING
379 CENTERLINE ROAD
PRESQUE ISLE ME 04769

B6517P296

Previous Owner
BACON, JAMES D.
Bacon, Robbin J
5 Brook Street
Caribou ME 04736
Sale Date: 12/15/2023

Previous Owner
Roy, Cary J
5 CHURCH STREET

WASHBURN ME 04786
Sale Date: 4/07/2021

Inspection Witnessed By:

X	Date
No./Date	Description
	Date Insp.

Notes:

Washburn

Property Data			Assessment Record						
Neighborhood 1 Neighborhood One			Year	Land	Buildings	Exempt	Total		
Tree Growth Year 0			2012	11,700	0	0	11,700		
1ST MORTGAGE 0			2013	15,200	0	0	15,200		
2ND MORTGAGE 0			2015	15,200	0	0	15,200		
Zone/Land Use 1 Residential			2018	15,200	0	0	15,200		
Secondary Zone			2019	24,400	0	0	24,400		
Topography 1 Level			2020	24,400	0	0	24,400		
1.Level 4.Below St 7.LevelBog			2021	24,400	0	0	24,400		
2.Rolling 5.Low 8.			2022	24,400	0	0	24,400		
3.Above St 6.Swampy 9.			2023	27,700	0	0	27,700		
Utilities			2024	27,700	0	0	27,700		
1.Public 4.Dr Well 7.Cesspool									
2.Water 5.Dug Well 8.									
3.Sewer 6.Septic 9.None									
Street 1 Paved									
1.Paved 4.Proposed 7.									
2.Semi Imp 5.R/O/W 8.									
3.Gravel 6. 9.None									
TG PLAN YEAR 0									
Tif District # 0									
Sale Data			Land Data						
Sale Date 12/15/2023			Front Foot	Type	Effective		Influence		Influence Codes
Price 100,000					Frontage	Depth	Factor	Code	
Sale Type 1 Land Only			11.Regular Lot					1.Unimproved	
1.Land 4.Mobile 7.C/I L&B			12.Delta Triangle			%		2.Excess Frtg	
2.L & B 5.Other 8.			13.Nabla Triangle			%		3.Topography	
3.Building 6.C/I Land 9.			14.Rear Land			%		4.Size/Shape	
Financing 1 Conventional			15.Class I Road			%		5.Access	
1.Convent 4.Seller 7.						%		6.Restriction	
2.FHA/VA 5.Private 8.						%		7.Open Space	
3.Assumed 6.Cash 9.Unknown						%		8.View/Environ	
Validity 1 Arms Length Sale						%		9.Fract Share	
1.Valid 4.Split 7.Renovate			Square Foot	Square Feet				Acres	
2.Related 5.Partial 8.Other			16.Class II Road			%		30.Utility R O W	
3.Distress 6.Exempt 9.			17.Municipal Rese			%		31.Tillable	
Verified 5 Public Record			18.Munic Sep Lago			%		32.Pasture	
1.Buyer 4.Agent 7.Family			19.Gravel Pit			%		33.Orchard	
2.Seller 5.Pub Rec 8.Other			20.Industrial Bas			%		34.Softwood F&O	
3.Lender 6.MLS 9.						%		35.Mixed Wood F&O	
			Fract. Acre	Acres/Sites				36.Hardwood F&O	
			21.Developed Pave	22	1.00	100 %	0	37.Softwood TG	
			22.Undev Paved (F	28	15.00	100 %	0	38.Mixed Wood TG	
			23.Developed Grav	31	7.25	100 %	0	39.Hardwood TG	
			Acres	40	10.00	100 %	0	40.Wasteland	
			24.Undev Gravel (%		41.Open Space	
			25.Comm Base Pave			%		42.Mobile Home Si	
			26.Comm Base Grav			%		43.Condo Site	
			27.Backlot					44.Lot Improvemen	
			28.Rear Land					45.Subdivision Lo	
			29.Pavement					46.Heavy Ind Sit	
			Total Acreage		33.25				

Washburn

Map Lot 009-003F

Account 1103

Location Washburn Road

Card 1 Of 1 9/04/2024

Building Style 0	SF Bsmt Living 0	Layout 0
1.Conv. 5.Garrison 9.Gambrel	Fin Bsmt Grade 0 0	1.Typical 4. 7.
2.Ranch 6.Salt Box 10.Other	OPEN 5 OPTIONAL 0	2.Inadeq 5. 8.
3.R Ranch 7.Contemp 11.Split	Heat Type 100% 0	3.Poor 6. 9.
4.Cape 8.Log 12.	1.HWBB 5.FWA 9.No Heat	Attic 0
Dwelling Units 0	2.HWCI 6.GravWA 10.	1.1/4 Fin 4.Full Fin 7.
Other Units 0	3.H Pump 7.Electric 11.	2.1/2 Fin 5.FI/Stair 8.
Stories 0	4.Steam 8.FI/Wall 12.	3.3/4 Fin 6. 9.None
1.1 4.1.5 7.	Cool Type 0% 9 None	Insulation 0
2.2 5.1.75 8.	1.Refrig 4.W&C Air 7.	1.Full 4.Minimal 7.
3.3 6.2.5 9.	2.Evapor 5. 8.	2.Heavy 5.Partial 8.
Exterior Walls 0	3.H Pump 6. 9.None	3.Capped 6. 9.None
1.Wood 5.Stucco 9.T-111	Kitchen Style 0	Unfinished % 0%
2.Vin/Al 6.Brick 10.Other	1.Modern 4.Obsolete 7.	Grade & Factor 0 0%
3.Compos. 7.Stone 11.	2.Typical 5. 8.	1.E Grade 4.B Grade 7.
4.Asbestos 8.Concrete 12.	3.Old Type 6. 9.None	2.D Grade 5.A Grade 8.SC Grade
Roof Surface 0	Bath(s) Style 0	3.C Grade 6.AA Grade 9.Same
1.Asphalt 4.Composit 7.	1.Modern 4.Obsolete 7.	SQFT (Footprint) 0
2.Slate 5.Wood 8.	2.Typical 5. 8.	Condition 0
3.Metal 6.Other 9.	3.Old Type 6. 9.None	1.Poor 4.Avg 7.V G
SF Masonry Trim 0	# Rooms 0	2.Fair 5.Avg+ 8.Exc
OPEN-3-CUSTOM 0	# Bedrooms 0	3.Avg- 6.Good 9.Same
OPEN-4-CUSTOM 0	# Full Baths 0	Phys. % Good 0%
Year Built 0	# Half Baths 0	Funct. % Good 100%
Year Remodeled 0	# Addn Fixtures 0	Functional Code 9 None
Foundation 0	# Fireplaces 0	1.Incomp 4.Delap 7.No Power
1.Concrete 4.Wood 7.		2.O-Built 5.Bsmt 8.LongTerm
2.C Block 5.Slab 8.		3.Damage 6.Common 9.None
3.Br/Stone 6.Piers 9.		Econ. % Good 100%
Basement 0		Economic Code None
1.1/4 Bmt 4.Full Bmt 7.		0.None 3.No Power 7.
2.1/2 Bmt 5.None 8.		1.Location 4.Generate 8.
3.3/4 Bmt 6. 9.None		2.Encroach 9.None 9.
Bsmt Gar # Cars 0		Entrance Code 0
Wet Basement 0		1.Interior 4.Vacant 7.
1.Dry 4. 7.		2.Refusal 5.Estimate 8.
2.Damp 5. 8.	3.Informed 6.Reviewed 9.	
3.Wet 6. 9.	Information Code 0	
		1.Owner 4.Agent 7.
		2.Relative 5.Estimate 8.
		3.Tenant 6.Other 9.

Date Inspected

Additions, Outbuildings & Improvements								
Type	Year	Units	Grade	Cond	Phys.	Funct.	Sound Value	
					%	%		1.One Story Fram
					%	%		2.Two Story Fram
					%	%		3.Three Story Fr
					%	%		4.1 & 1/2 Story
					%	%		5.1 & 3/4 Story
					%	%		6.2 & 1/2 Story
					%	%		21.Open Frame Por
					%	%		22.Encl Frame Por
					%	%		23.Frame Garage
					%	%		24.Frame Shed
					%	%		25.Frame Bay Wind
					%	%		26.1SFr Overhang
					%	%		27.Unfin Basement
					%	%		28.Unfinished Att
					%	%		29.Finished Attic

FARRIS, MICHAEL
PO BOX 32
MERRILL ME 04952

B5868P165

Previous Owner
SODERBERG, CARL J.
460 YORK STREET

CARIBOU ME 04736
Sale Date: 2/27/2019

Previous Owner
Irving, Steven
P.O. Box 291

Caribou ME 04736
Sale Date: 5/21/2007

Inspection Witnessed By:

X	Date
No./Date	Description
	Date Insp.

Notes:

Washburn

Property Data			Assessment Record						
Neighborhood 1 Neighborhood One			Year	Land	Buildings	Exempt	Total		
Tree Growth Year 0			2012	6,300	0	0	6,300		
1ST MORTGAGE 0			2013	8,200	0	0	8,200		
2ND MORTGAGE 0			2015	8,200	0	0	8,200		
Zone/Land Use 1 Residential			2018	8,200	0	0	8,200		
Secondary Zone			2019	10,800	0	0	10,800		
Topography 1 Level			2020	10,800	0	0	10,800		
1.Level 4.Below St 7.LevelBog			2021	10,800	0	0	10,800		
2.Rolling 5.Low 8.			2022	10,800	0	0	10,800		
3.Above St 6.Swampy 9.			2023	13,100	0	0	13,100		
Utilities			2024	13,100	0	0	13,100		
1.Public 4.Dr Well 7.Cesspool									
2.Water 5.Dug Well 8.									
3.Sewer 6.Septic 9.None									
Street 1 Paved									
1.Paved 4.Proposed 7.									
2.Semi Imp 5.R/O/W 8.									
3.Gravel 6. 9.None									
TG PLAN YEAR 0									
Tif District # 0									
Sale Data			Land Data						
Sale Date 2/27/2019			Front Foot	Type	Effective		Influence		Influence Codes
Price 1,848					Frontage	Depth	Factor	Code	
Sale Type 1 Land Only			11.Regular Lot					1.Unimproved	
1.Land 4.Mobile 7.C/I L&B			12.Delta Triangle					2.Excess Frtg	
2.L & B 5.Other 8.			13.Nabla Triangle					3.Topography	
3.Building 6.C/I Land 9.			14.Rear Land					4.Size/Shape	
Financing 1 Conventional			15.Class I Road					5.Access	
1.Convent 4.Seller 7.								6.Restriction	
2.FHA/VA 5.Private 8.								7.Open Space	
3.Assumed 6.Cash 9.Unknown								8.View/Environ	
Validity 2 Related Parties								9.Fract Share	
1.Valid 4.Split 7.Renovate			Square Foot	Square Feet				Acres	
2.Related 5.Partial 8.Other			16.Class II Road					30.Utility R O W	
3.Distress 6.Exempt 9.			17.Municipal Rese					31.Tillable	
Verified 5 Public Record			18.Munic Sep Lago					32.Pasture	
1.Buyer 4.Agent 7.Family			19.Gravel Pit					33.Orchard	
2.Seller 5.Pub Rec 8.Other			20.Industrial Bas					34.Softwood F&O	
3.Lender 6.MLS 9.								35.Mixed Wood F&O	
			Fract. Acre	Acreege/Sites				36.Hardwood F&O	
			21.Developed Pave	22	1.00	100	%	0	
			22.Undev Paved (F	28	3.62	100	%	0	
			23.Developed Grav						
			Acres						
			24.Undev Gravel (
			25.Comm Base Pave						
			26.Comm Base Grav						
			27.Backlot						
			28.Rear Land						
			29.Pavement						
			Total Acreage		4.62				
								44.Lot Improvemen	
								45.Subdivision Lo	
								46.Heavy Ind Sit	

Washburn

Map Lot 009-003G

Account 1102

Location CARSON ROAD

Card 1 Of 1 9/04/2024

Building Style 0	SF Bsmt Living 0	Layout 0
1.Conv. 5.Garrison 9.Gambrel	Fin Bsmt Grade 0 0	1.Typical 4. 7.
2.Ranch 6.Salt Box 10.Other	OPEN 5 OPTIONAL 0	2.Inadeq 5. 8.
3.R Ranch 7.Contemp 11.Split	Heat Type 100% 0	3.Poor 6. 9.
4.Cape 8.Log 12.	1.HWBB 5.FWA 9.No Heat	Attic 0
Dwelling Units 0	2.HWCI 6.GravWA 10.	1.1/4 Fin 4.Full Fin 7.
Other Units 0	3.H Pump 7.Electric 11.	2.1/2 Fin 5.F/Stair 8.
Stories 0	4.Steam 8.F/Wall 12.	3.3/4 Fin 6. 9.None
1.1 4.1.5 7.	Cool Type 0% 9 None	Insulation 0
2.2 5.1.75 8.	1.Refrig 4.W&C Air 7.	1.Full 4.Minimal 7.
3.3 6.2.5 9.	2.Evapor 5. 8.	2.Heavy 5.Partial 8.
Exterior Walls 0	3.H Pump 6. 9.None	3.Capped 6. 9.None
1.Wood 5.Stucco 9.T-111	Kitchen Style 0	Unfinished % 0%
2.Vin/Al 6.Brick 10.Other	1.Modern 4.Obsolete 7.	Grade & Factor 0 0%
3.Compos. 7.Stone 11.	2.Typical 5. 8.	1.E Grade 4.B Grade 7.
4.Asbestos 8.Concrete 12.	3.Old Type 6. 9.None	2.D Grade 5.A Grade 8.SC Grade
Roof Surface 0	Bath(s) Style 0	3.C Grade 6.AA Grade 9.Same
1.Asphalt 4.Composit 7.	1.Modern 4.Obsolete 7.	SQFT (Footprint) 0
2.Slate 5.Wood 8.	2.Typical 5. 8.	Condition 0
3.Metal 6.Other 9.	3.Old Type 6. 9.None	1.Poor 4.Avg 7.V G
SF Masonry Trim 0	# Rooms 0	2.Fair 5.Avg+ 8.Exc
OPEN-3-CUSTOM 0	# Bedrooms 0	3.Avg- 6.Good 9.Same
OPEN-4-CUSTOM 0	# Full Baths 0	Phys. % Good 0%
Year Built 0	# Half Baths 0	Funct. % Good 100%
Year Remodeled 0	# Addn Fixtures 0	Functional Code 9 None
Foundation 0	# Fireplaces 0	1.Incomp 4.Delap 7.No Power
1.Concrete 4.Wood 7.		2.O-Built 5.Bsmt 8.LongTerm
2.C Block 5.Slab 8.		3.Damage 6.Common 9.None
3.Br/Stone 6.Piers 9.		Econ. % Good 100%
Basement 0		Economic Code None
1.1/4 Bmt 4.Full Bmt 7.		0.None 3.No Power 7.
2.1/2 Bmt 5.None 8.		1.Location 4.Generate 8.
3.3/4 Bmt 6. 9.None		2.Encroach 9.None 9.
Bsmt Gar # Cars 0		Entrance Code 0
Wet Basement 0		1.Interior 4.Vacant 7.
1.Dry 4. 7.		2.Refusal 5.Estimate 8.
2.Damp 5. 8.	3.Informed 6.Reviewed 9.	
3.Wet 6. 9.	Information Code 0	
		1.Owner 4.Agent 7.
		2.Relative 5.Estimate 8.
		3.Tenant 6.Other 9.

Date Inspected

Additions, Outbuildings & Improvements								
Type	Year	Units	Grade	Cond	Phys.	Funct.	Sound Value	
					%	%		1.One Story Fram
					%	%		2.Two Story Fram
					%	%		3.Three Story Fr
					%	%		4.1 & 1/2 Story
					%	%		5.1 & 3/4 Story
					%	%		6.2 & 1/2 Story
					%	%		21.Open Frame Por
					%	%		22.Encl Frame Por
					%	%		23.Frame Garage
					%	%		24.Frame Shed
					%	%		25.Frame Bay Wind
					%	%		26.1SFr Overhang
					%	%		27.Unfin Basement
					%	%		28.Unfinished Att
					%	%		29.Finished Attic

SAWYER, CHRISTINA M
SAWYER, DONALD H
1181 CARSON ROAD
WASHBURN ME 04786

B4500P270 B4811P172

Inspection Witnessed By:

No./Date	Description	Date Insp.
X		

Notes:
*2-18-2019 DW HUD #'s RAD 1461458 and RAD 1461457.
-20% for attached garage.

Washburn

Property Data			Assessment Record						
Neighborhood 1 Neighborhood One			Year	Land	Buildings	Exempt	Total		
Tree Growth Year 0			2012	5,300	56,400	8,800	52,900		
1ST MORTGAGE 0			2013	6,800	56,400	8,800	54,400		
2ND MORTGAGE 0			2015	6,800	56,400	9,000	54,200		
Zone/Land Use 1 Residential			2018	6,800	56,400	18,400	44,800		
Secondary Zone			2019	14,900	54,500	20,000	49,400		
Topography 1 Level			2020	14,900	51,900	25,000	41,800		
1.Level 4.Below St 7.LevelBog			2021	14,900	54,500	25,000	44,400		
2.Rolling 5.Low 8.			2022	14,900	57,100	25,000	47,000		
3.Above St 6.Swampy 9.			2023	19,400	67,500	25,000	61,900		
Utilities 4 Drilled Well 6 Septic System			2024	19,400	67,500	25,000	61,900		
1.Public 4.Dr Well 7.Cesspool									
2.Water 5.Dug Well 8.									
3.Sewer 6.Septic 9.None									
Street 1 Paved									
1.Paved 4.Proposed 7.									
2.Semi Imp 5.R/O/W 8.									
3.Gravel 6. 9.None									
TG PLAN YEAR 0									
Tif District # 0									
Sale Data									
Sale Date 9/28/2007									
Price 32,890									
Sale Type 2 Land & Buildings									
1.Land 4.Mobile 7.C/I L&B									
2.L & B 5.Other 8.									
3.Building 6.C/I Land 9.									
Financing 1 Conventional									
1.Convent 4.Seller 7.									
2.FHA/VA 5.Private 8.									
3.Assumed 6.Cash 9.Unknown									
Validity 2 Related Parties									
1.Valid 4.Split 7.Renovate									
2.Related 5.Partial 8.Other									
3.Distress 6.Exempt 9.									
Verified 5 Public Record									
1.Buyer 4.Agent 7.Family									
2.Seller 5.Pub Rec 8.Other									
3.Lender 6.MLS 9.									
			Front Foot	Type	Effective		Influence		Influence Codes
			11.Regular Lot		Frontage	Depth	Factor	Code	1.Unimproved
			12.Delta Triangle				%		2.Excess Frtg
			13.Nabla Triangle				%		3.Topography
			14.Rear Land				%		4.Size/Shape
			15.Class I Road				%		5.Access
							%		6.Restriction
							%		7.Open Space
							%		8.View/Environ
			Square Foot	Square Feet					9.Fract Share
			16.Class II Road	29	800	75	%	0	Acres
			17.Municipal Rese				%		30.Utility R O W
			18.Munic Sep Lago				%		31.Tillable
			19.Gravel Pit				%		32.Pasture
			20.Industrial Bas				%		33.Orchard
							%		34.Softwood F&O
			Fract. Acre	Acres/Sites					35.Mixed Wood F&O
			21.Developed Pave	21	0.66	100	%	0	36.Hardwood F&O
			22.Undev Paved (F				%		37.Softwood TG
			23.Developed Grav				%		38.Mixed Wood TG
							%		39.Hardwood TG
							%		40.Wasteland
			24.Undev Gravel (%		41.Open Space
			25.Comm Base Pave				%		42.Mobile Home Si
			26.Comm Base Grav				%		43.Condo Site
			27.Backlot				%		44.Lot Improvemen
			28.Rear Land				%		45.Subdivision Lo
			29.Pavement				%		46.Heavy Ind Sit
			Total Acreage		0.66				

Washburn

Map Lot 009-004

Account 342

Location 1181 CARSON ROAD

Card 1 Of 1

9/04/2024

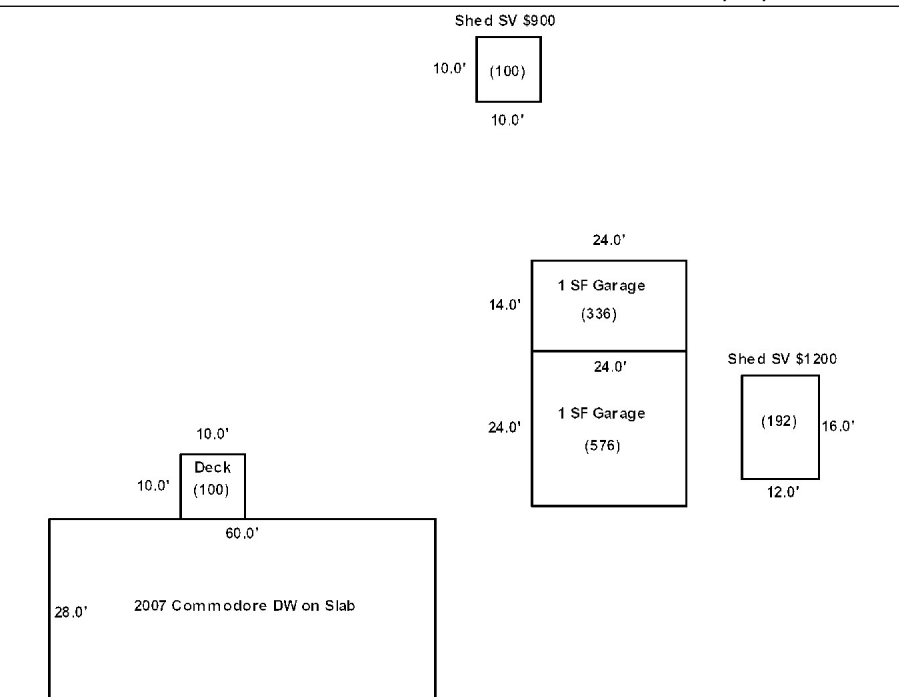
Building Style 0	SF Bsmt Living 0	Layout 0
1.Conv. 5.Garrison 9.Gambrel	Fin Bsmt Grade 0 0	1.Typical 4. 7.
2.Ranch 6.Salt Box 10.Other	OPEN 5 OPTIONAL 0	2.Inadeq 5. 8.
3.R Ranch 7.Contemp 11.Split	Heat Type 100% 0	3.Poor 6. 9.
4.Cape 8.Log 12.	1.HWBB 5.FWA 9.No Heat	Attic 0
Dwelling Units 0	2.HWCI 6.GravWA 10.	1.1/4 Fin 4.Full Fin 7.
Other Units 0	3.H Pump 7.Electric 11.	2.1/2 Fin 5.FI/Stair 8.
Stories 0	4.Steam 8.FI/Wall 12.	3.3/4 Fin 6. 9.None
1.1 4.1.5 7.	Cool Type 0% 9 None	Insulation 0
2.2 5.1.75 8.	1.Refrig 4.W&C Air 7.	1.Full 4.Minimal 7.
3.3 6.2.5 9.	2.Evapor 5. 8.	2.Heavy 5.Partial 8.
Exterior Walls 0	3.H Pump 6. 9.None	3.Capped 6. 9.None
1.Wood 5.Stucco 9.T-111	Kitchen Style 0	Unfinished % 0%
2.Vin/Al 6.Brick 10.Other	1.Modern 4.Obsolete 7.	Grade & Factor 0 0%
3.Compos. 7.Stone 11.	2.Typical 5. 8.	1.E Grade 4.B Grade 7.
4.Asbestos 8.Concrete 12.	3.Old Type 6. 9.None	2.D Grade 5.A Grade 8.SC Grade
Roof Surface 0	Bath(s) Style 0	3.C Grade 6.AA Grade 9.Same
1.Asphalt 4.Composit 7.	1.Modern 4.Obsolete 7.	SQFT (Footprint) 0
2.Slate 5.Wood 8.	2.Typical 5. 8.	Condition 0
3.Metal 6.Other 9.	3.Old Type 6. 9.None	1.Poor 4.Avg 7.V G
SF Masonry Trim 0	# Rooms 0	2.Fair 5.Avg+ 8.Exc
OPEN-3-CUSTOM 0	# Bedrooms 0	3.Avg- 6.Good 9.Same
OPEN-4-CUSTOM 0	# Full Baths 0	Phys. % Good 0%
Year Built 0	# Half Baths 0	Funct. % Good 100%
Year Remodeled 0	# Addn Fixtures 0	Functional Code 9 None
Foundation 0	# Fireplaces 0	1.Incomp 4.Delap 7.No Power
1.Concrete 4.Wood 7.		2.O-Built 5.Bsmt 8.LongTerm
2.C Block 5.Slab 8.		3.Damage 6.Common 9.None
3.Br/Stone 6.Piers 9.		Econ. % Good 100%
Basement 0		Economic Code None
1.1/4 Bmt 4.Full Bmt 7.		0.None 3.No Power 7.
2.1/2 Bmt 5.None 8.		1.Location 4.Generate 8.
3.3/4 Bmt 6. 9.None		2.Encroach 9.None 9.
Bsmt Gar # Cars 0		Entrance Code 1 Interior Inspect
Wet Basement 0		1.Interior 4.Vacant 7.
1.Dry 4. 7.		2.Refusal 5.Estimate 8.
2.Damp 5. 8.		3.Informed 6.Reviewed 9.
3.Wet 6. 9.		Information Code 1 Owner
		1.Owner 4.Agent 7.
		2.Relative 5.Estimate 8.
		3.Tenant 6.Other 9.



Date Inspected 11/15/2018

Additions, Outbuildings & Improvements

Type	Year	Units	Grade	Cond	Phys.	Funct.	Sound Value
992 Double Wide	2007	28x60	4 100	4	0 %	100 %	
48 Concrete Slab	2007	1680	3 100	4	0 %	100 %	
68 Wood Deck	2007	100	3 100	4	0 %	100 %	
23 Frame Garage	1975	576	3 100	4	0 %	100 %	
23 Frame Garage	2005	336	2 110	3	0 %	80 %	
24 Frame Shed	0				%	%	1,200
24 Frame Shed	0				%	%	900
					%	%	
					%	%	
					%	%	
					%	%	



OSGOOD, SUSAN L
2682 WASHBURN ROAD
WASHBURN ME 04786

B5442P51 B5967P87

Previous Owner
GRENDALL, ROGER A.
NEWBEGIN, MICHAEL
40 Lyndon Street, Apt. 4
CARIBOU ME 04736
Sale Date: 12/01/2019

Previous Owner
McNEAL, BRENDA
c/o ROGER GRENDALL
P.O. Box 541
CARIBOU ME 04736
Sale Date: 6/17/2015

Inspection Witnessed By:

X	Date
No./Date	Description
	Date Insp.

Notes:
* Owner removed garage for 2020. Look for camp for 2021.

Washburn

Property Data			Assessment Record						
Neighborhood 1 Neighborhood One			Year	Land	Buildings	Exempt	Total		
Tree Growth Year 0			2012	6,600	200	0	6,800		
1ST MORTGAGE 0			2013	8,600	200	0	8,800		
2ND MORTGAGE 0			2015	8,600	200	0	8,800		
Zone/Land Use 1 Residential			2018	8,600	200	0	8,800		
Secondary Zone			2019	9,100	1,500	0	10,600		
Topography 2 Rolling			2020	9,200	0	0	9,200		
1.Level 4.Below St 7.LevelBog			2021	9,200	0	0	9,200		
2.Rolling 5.Low 8.			2022	9,200	0	0	9,200		
3.Above St 6.Swampy 9.			2023	11,200	0	0	11,200		
Utilities			2024	11,200	0	0	11,200		
1.Public 4.Dr Well 7.Cesspool									
2.Water 5.Dug Well 8.									
3.Sewer 6.Septic 9.None									
Street 1 Paved									
1.Paved 4.Proposed 7.									
2.Semi Imp 5.R/O/W 8.									
3.Gravel 6. 9.None									
TG PLAN YEAR 0									
Tif District # 0									
Sale Data			Land Data						
Sale Date 12/01/2019			Front Foot	Type	Effective		Influence		Influence Codes
Price 15,000					Frontage	Depth	Factor	Code	
Sale Type 2 Land & Buildings			11.Regular Lot					1.Unimproved	
1.Land 4.Mobile 7.C/I L&B			12.Delta Triangle					2.Excess Frtg	
2.L & B 5.Other 8.			13.Nabla Triangle					3.Topography	
3.Building 6.C/I Land 9.			14.Rear Land					4.Size/Shape	
Financing 1 Conventional			15.Class I Road					5.Access	
1.Convent 4.Seller 7.								6.Restriction	
2.FHA/VA 5.Private 8.								7.Open Space	
3.Assumed 6.Cash 9.Unknown								8.View/Environ	
Validity 1 Arms Length Sale								9.Fract Share	
1.Valid 4.Split 7.Renovate			Square Foot	Square Feet				Acres	
2.Related 5.Partial 8.Other			16.Class II Road					30.Utility R O W	
3.Distress 6.Exempt 9.			17.Municipal Rese					31.Tillable	
Verified 5 Public Record			18.Munic Sep Lago					32.Pasture	
1.Buyer 4.Agent 7.Family			19.Gravel Pit					33.Orchard	
2.Seller 5.Pub Rec 8.Other			20.Industrial Bas					34.Softwood F&O	
3.Lender 6.MLS 9.								35.Mixed Wood F&O	
			Fract. Acre	Acreege/Sites				36.Hardwood F&O	
			21.Developed Pave	22	1.00	100	%	0	
			22.Undev Paved (F	28	0.36	100	%	0	
			23.Developed Grav						
			Acres						
			24.Undev Gravel (
			25.Comm Base Pave						
			26.Comm Base Grav						
			27.Backlot						
			28.Rear Land						
			29.Pavement						
			Total Acreage 1.36						
								44.Lot Improvemen	
								45.Subdivision Lo	
								46.Heavy Ind Sit	

Washburn

Map Lot 009-005

Account 751

Location 2668 WASHBURN ROAD

Card 1 Of 1 9/04/2024

Building Style 0	SF Bsmt Living 0	Layout 0
1.Conv. 5.Garrison 9.Gambrel	Fin Bsmt Grade 0 0	1.Typical 4. 7.
2.Ranch 6.Salt Box 10.Other	OPEN 5 OPTIONAL 0	2.Inadeq 5. 8.
3.R Ranch 7.Contemp 11.Split	Heat Type 100% 0	3.Poor 6. 9.
4.Cape 8.Log 12.	1.HWBB 5.FWA 9.No Heat	Attic 0
Dwelling Units 0	2.HWCI 6.GravWA 10.	1.1/4 Fin 4.Full Fin 7.
Other Units 0	3.H Pump 7.Electric 11.	2.1/2 Fin 5.FI/Stair 8.
Stories 0	4.Steam 8.FI/Wall 12.	3.3/4 Fin 6. 9.None
1.1 4.1.5 7.	Cool Type 0% 9 None	Insulation 0
2.2 5.1.75 8.	1.Refrig 4.W&C Air 7.	1.Full 4.Minimal 7.
3.3 6.2.5 9.	2.Evapor 5. 8.	2.Heavy 5.Partial 8.
Exterior Walls 0	3.H Pump 6. 9.None	3.Capped 6. 9.None
1.Wood 5.Stucco 9.T-111	Kitchen Style 0	Unfinished % 0%
2.Vin/Al 6.Brick 10.Other	1.Modern 4.Obsolete 7.	Grade & Factor 0 0%
3.Compos. 7.Stone 11.	2.Typical 5. 8.	1.E Grade 4.B Grade 7.
4.Asbestos 8.Concrete 12.	3.Old Type 6. 9.None	2.D Grade 5.A Grade 8.SC Grade
Roof Surface 0	Bath(s) Style 0	3.C Grade 6.AA Grade 9.Same
1.Asphalt 4.Composit 7.	1.Modern 4.Obsolete 7.	SQFT (Footprint) 0
2.Slate 5.Wood 8.	2.Typical 5. 8.	Condition 0
3.Metal 6.Other 9.	3.Old Type 6. 9.None	1.Poor 4.Avg 7.V G
SF Masonry Trim 0	# Rooms 0	2.Fair 5.Avg+ 8.Exc
OPEN-3-CUSTOM 0	# Bedrooms 0	3.Avg- 6.Good 9.Same
OPEN-4-CUSTOM 0	# Full Baths 0	Phys. % Good 0%
Year Built 0	# Half Baths 0	Funct. % Good 100%
Year Remodeled 0	# Addn Fixtures 0	Functional Code 9 None
Foundation 0	# Fireplaces 0	1.Incomp 4.Delap 7.No Power
1.Concrete 4.Wood 7.		2.O-Built 5.Bsmt 8.LongTerm
2.C Block 5.Slab 8.		3.Damage 6.Common 9.None
3.Br/Stone 6.Piers 9.		Econ. % Good 100%
Basement 0		Economic Code None
1.1/4 Bmt 4.Full Bmt 7.		0.None 3.No Power 7.
2.1/2 Bmt 5.None 8.		1.Location 4.Generate 8.
3.3/4 Bmt 6. 9.None		2.Encroach 9.None 9.
Bsmt Gar # Cars 0		Entrance Code 5 Estimated
Wet Basement 0		1.Interior 4.Vacant 7.
1.Dry 4. 7.		2.Refusal 5.Estimate 8.
2.Damp 5. 8.		3.Informed 6.Reviewed 9.
3.Wet 6. 9.		Information Code 5 Estimate
		1.Owner 4.Agent 7.
		2.Relative 5.Estimate 8.
		3.Tenant 6.Other 9.



Date Inspected 11/15/2018

Additions, Outbuildings & Improvements							
Type	Year	Units	Grade	Cond	Phys.	Funct.	Sound Value
					%	%	1.One Story Fram
					%	%	2.Two Story Fram
					%	%	3.Three Story Fr
					%	%	4.1 & 1/2 Story
					%	%	5.1 & 3/4 Story
					%	%	6.2 & 1/2 Story
					%	%	21.Open Frame Por
					%	%	22.Encl Frame Por
					%	%	23.Frame Garage
					%	%	24.Frame Shed
					%	%	25.Frame Bay Wind
					%	%	26.1SFr Overhang
					%	%	27.Unfin Basement
					%	%	28.Unfinished Att
					%	%	29.Finished Attic

OSGOOD, SUSAN LILLIAN (L.E.)
Osgood, Christopher A & Bell, William W.
2682 WASHBURN ROAD
WASHBURN ME 04786

B6214P53

Previous Owner
OSGOOD, SUSAN LILLIAN
2682 WASHBURN ROAD

WASHBURN ME 04786
Sale Date: 8/23/2021

Previous Owner
HERSEY, ROBERT
HERSEY, NANCY
497 DAVIS ROAD
WOODLAND ME 04736
Sale Date: 10/17/2016

Inspection Witnessed By:

X	Date
No./Date	Description
	Date Insp.

Notes:
*2-18-2019 DW HUD #'s NTA 1693927 and NTA 1693926. OP grade adjusted in MH grade.

Washburn

Property Data			Assessment Record							
Neighborhood 1 Neighborhood One			Year	Land	Buildings	Exempt	Total			
Tree Growth Year 0			2012	5,900	15,800	0	21,700			
1ST MORTGAGE 0			2013	7,700	15,800	0	23,500			
2ND MORTGAGE 0			2015	7,700	15,800	0	23,500			
Zone/Land Use 1 Residential			2018	7,700	64,400	18,400	53,700			
Secondary Zone			2019	18,000	53,100	20,000	51,100			
Topography 1 Level			2020	18,000	51,300	25,000	44,300			
1.Level 4.Below St 7.LevelBog			2021	18,000	53,100	25,000	46,100			
2.Rolling 5.Low 8.			2022	18,000	55,800	0	73,800			
3.Above St 6.Swampy 9.			2023	23,000	66,400	25,000	64,400			
Utilities 4 Drilled Well 6 Septic System			2024	23,000	66,400	25,000	64,400			
1.Public 4.Dr Well 7.Cesspool										
2.Water 5.Dug Well 8.										
3.Sewer 6.Septic 9.None										
Street 1 Paved										
1.Paved 4.Proposed 7.										
2.Semi Imp 5.R/O/W 8.										
3.Gravel 6. 9.None										
TG PLAN YEAR 0										
Tif District # 0										
Sale Data										
Sale Date 8/23/2021										
Price										
Sale Type 2 Land & Buildings										
1.Land 4.Mobile 7.C/I L&B										
2.L & B 5.Other 8.										
3.Building 6.C/I Land 9.										
Financing 1 Conventional										
1.Convent 4.Seller 7.										
2.FHA/VA 5.Private 8.										
3.Assumed 6.Cash 9.Unknown										
Validity 2 Related Parties										
1.Valid 4.Split 7.Renovate										
2.Related 5.Partial 8.Other										
3.Distress 6.Exempt 9.										
Verified 5 Public Record										
1.Buyer 4.Agent 7.Family										
2.Seller 5.Pub Rec 8.Other										
3.Lender 6.MLS 9.										
			Land Data							
			Front Foot	Type	Effective		Influence		Influence Codes	
			11.Regular Lot		Frontage	Depth	Factor	Code	1.Unimproved	
			12.Delta Triangle				%		2.Excess Frtg	
			13.Nabla Triangle				%		3.Topography	
			14.Rear Land				%		4.Size/Shape	
			15.Class I Road				%		5.Access	
							%		6.Restriction	
							%		7.Open Space	
							%		8.View/Environ	
							%		9.Fract Share	
			Square Foot	Square Feet				Acres		
			16.Class II Road	29	1,200		100	%	0	30.Utility R O W
			17.Municipal Rese				%		31.Tillable	
			18.Munic Sep Lago				%		32.Pasture	
			19.Gravel Pit				%		33.Orchard	
			20.Industrial Bas				%		34.Software F&O	
							%		35.Mixed Wood F&O	
							%		36.Hardwood F&O	
							%		37.Software TG	
							%		38.Mixed Wood TG	
							%		39.Hardwood TG	
							%		40.Wasteland	
							%		41.Open Space	
							%		42.Mobile Home Si	
							%		43.Condo Site	
							%		44.Lot Improvemen	
							%		45.Subdivision Lo	
							%		46.Heavy Ind Sit	
					Total Acreage	0.83				


Washburn

Map Lot 009-006/7

Account 1031

Location 2682 WASHBURN ROAD

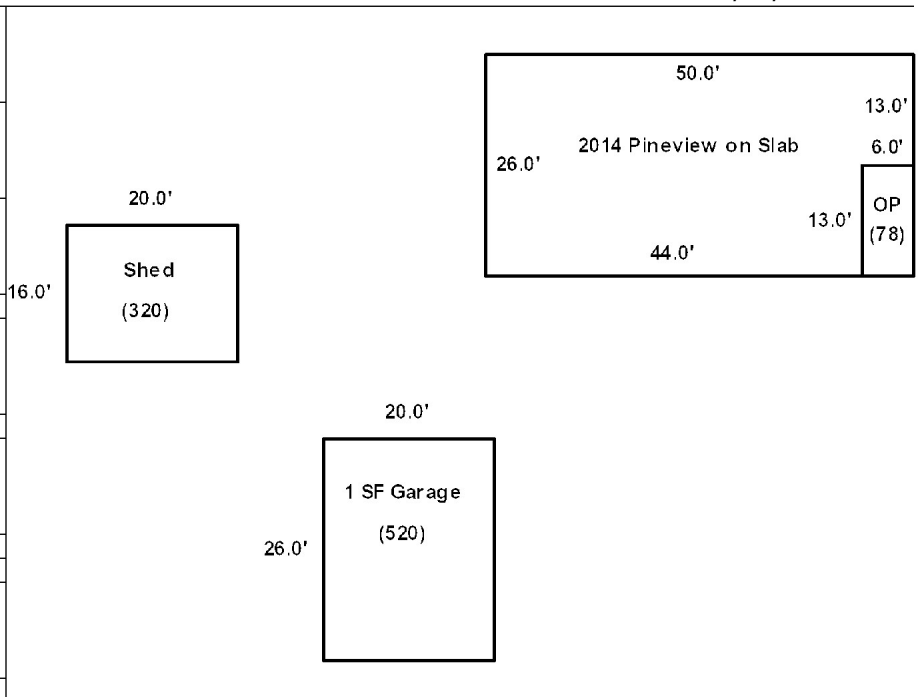
Card 1 Of 1 9/04/2024

Building Style 0	SF Bsmt Living 0	Layout 0
1.Conv. 5.Garrison 9.Gambrel	Fin Bsmt Grade 0 0	1.Typical 4. 7.
2.Ranch 6.Salt Box 10.Other	OPEN 5 OPTIONAL 0	2.Inadeq 5. 8.
3.R Ranch 7.Contemp 11.Split	Heat Type 100% 0	3.Poor 6. 9.
4.Cape 8.Log 12.	1.HWBB 5.FWA 9.No Heat	Attic 0
Dwelling Units 0	2.HWCI 6.GravWA 10.	1.1/4 Fin 4.Full Fin 7.
Other Units 0	3.H Pump 7.Electric 11.	2.1/2 Fin 5.FI/Stair 8.
Stories 0	4.Steam 8.FI/Wall 12.	3.3/4 Fin 6. 9.None
1.1 4.1.5 7.	Cool Type 0% 9 None	Insulation 0
2.2 5.1.75 8.	1.Refrig 4.W&C Air 7.	1.Full 4.Minimal 7.
3.3 6.2.5 9.	2.Evapor 5. 8.	2.Heavy 5.Partial 8.
Exterior Walls 0	3.H Pump 6. 9.None	3.Capped 6. 9.None
1.Wood 5.Stucco 9.T-111	Kitchen Style 0	Unfinished % 0%
2.Vin/Al 6.Brick 10.Other	1.Modern 4.Obsolete 7.	Grade & Factor 0 0%
3.Compos. 7.Stone 11.	2.Typical 5. 8.	1.E Grade 4.B Grade 7.
4.Asbestos 8.Concrete 12.	3.Old Type 6. 9.None	2.D Grade 5.A Grade 8.SC Grade
Roof Surface 0	Bath(s) Style 0	3.C Grade 6.AA Grade 9.Same
1.Asphalt 4.Composit 7.	1.Modern 4.Obsolete 7.	SQFT (Footprint) 0
2.Slate 5.Wood 8.	2.Typical 5. 8.	Condition 0
3.Metal 6.Other 9.	3.Old Type 6. 9.None	1.Poor 4.Avg 7.V G
SF Masonry Trim 0	# Rooms 0	2.Fair 5.Avg+ 8.Exc
OPEN-3-CUSTOM 0	# Bedrooms 0	3.Avg- 6.Good 9.Same
OPEN-4-CUSTOM 0	# Full Baths 0	Phys. % Good 0%
Year Built 0	# Half Baths 0	Funct. % Good 100%
Year Remodeled 0	# Addn Fixtures 0	Functional Code 9 None
Foundation 0	# Fireplaces 0	1.Incomp 4.Delap 7.No Power
1.Concrete 4.Wood 7.	 <p>TRIO Software A Division of Harris Computer Systems</p>	2.O-Built 5.Bsmt 8.LongTerm
2.C Block 5.Slab 8.		3.Damage 6.Common 9.None
3.Br/Stone 6.Piers 9.		Econ. % Good 100%
Basement 0		Economic Code None
1.1/4 Bmt 4.Full Bmt 7.		0.None 3.No Power 7.
2.1/2 Bmt 5.None 8.		1.Location 4.Generate 8.
3.3/4 Bmt 6. 9.None		2.Encroach 9.None 9.
Bsmt Gar # Cars 0		Entrance Code 1 Interior Inspect
Wet Basement 0		1.Interior 4.Vacant 7.
1.Dry 4. 7.		2.Refusal 5.Estimate 8.
2.Damp 5. 8.	3.Informed 6.Reviewed 9.	
3.Wet 6. 9.	Information Code 1 Owner	
	1.Owner 4.Agent 7.	
	2.Relative 5.Estimate 8.	
	3.Tenant 6.Other 9.	

Date Inspected 11/15/2018

Additions, Outbuildings & Improvements

Type	Year	Units	Grade	Cond	Phys.	Funct.	Sound Value
992 Double Wide	2014	26x50	3 105	4	0 %	100 %	
48 Concrete Slab	2014	1300	3 100	4	0 %	100 %	
23 Frame Garage	2000	520	3 100	4	0 %	100 %	
24 Frame Shed	2016	320	2 110	4	0 %	100 %	
					%	%	
					%	%	
					%	%	
					%	%	
					%	%	
					%	%	
					%	%	
					%	%	



Washburn

Map Lot 009-008


Account 488

Location 2689 WASHBURN ROAD

Card 1

Of 1

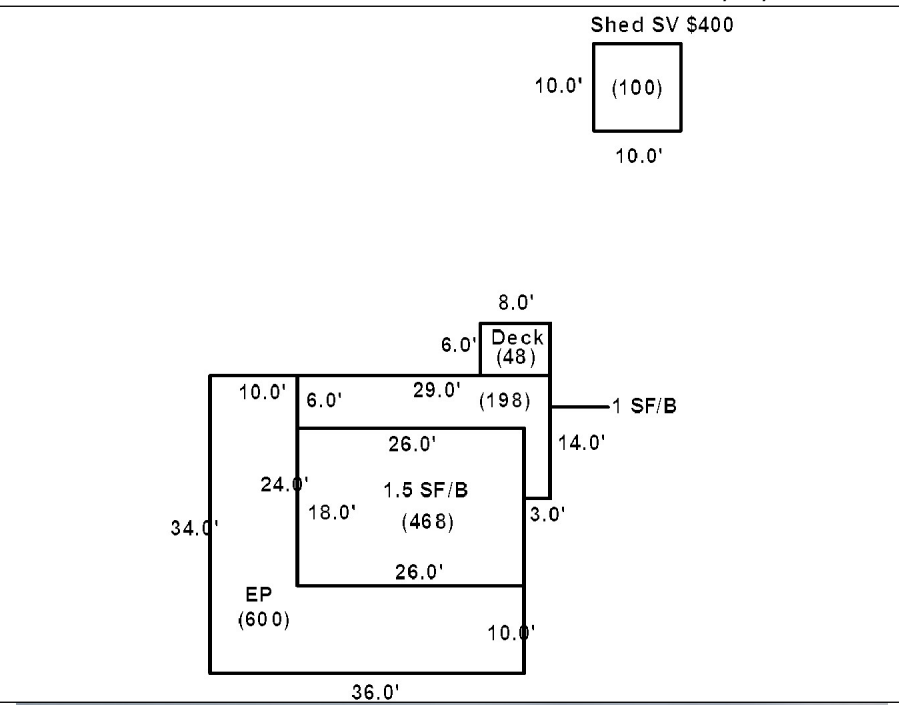
9/04/2024

Building Style	4 Cape Cod	SF Bsmt Living	0	Layout	1 Typical		
1.Conv.	5.Garrison 9.Gambrel	Fin Bsmt Grade	0 0	1.Typical	4. 7.		
2.Ranch	6.Salt Box 10.Other	OPEN 5 OPTIONAL	0	2.Inadeq	5. 8.		
3.R Ranch	7.Contemp 11.Split	Heat Type	100%	3.Poor	6. 9.		
4.Cape	8.Log 12.	1.HWB	1 Hot Water BB	Attic	9 None		
Dwelling Units	1	2.HWCI	5.FWA 9.No Heat	1.1/4 Fin	4.Full Fin 7.		
Other Units	0	3.H Pump	6.GravWA 10.	2.1/2 Fin	5.FI/Stair 8.		
Stories	4 One & 1/2 Story	4.Steam	8.FI/Wall 12.	3.3/4 Fin	6. 9.None		
1.1	4.1.5 7.	Cool Type	50%	Insulation	1 Full		
2.2	5.1.75 8.	1.Refrig	3 Heat Pump	1.Full	4.Minimal 7.		
3.3	6.2.5 9.	2.Evapor	4.W&C Air 7.	2.Heavy	5.Partial 8.		
Exterior Walls	2 Vinyl/Aluminum	3.H Pump	6. 9.None	3.Capped	6. 9.None		
1.Wood	5.Stucco 9.T-111	Kitchen Style	2 Typical	Unfinished %	0%		
2.Vin/Al	6.Brick 10.Other	1.Modern	4.Obsolete 7.	Grade & Factor	2 Fair 110%		
3.Compos.	7.Stone 11.	2.Typical	5. 8.	1.E Grade	4.B Grade 7.		
4.Asbestos	8.Concrete 12.	3.Old Type	6. 9.None	2.D Grade	5.A Grade 8.SC Grade		
Roof Surface	3 Sheet Metal	Bath(s) Style	2 Typical Bath(s)	3.C Grade	6.AA Grade 9.Same		
1.Asphalt	4.Composit 7.	1.Modern	4.Obsolete 7.	SQFT (Footprint)	468		
2.Slate	5.Wood 8.	2.Typical	5. 8.	Condition	4 Average		
3.Metal	6.Other 9.	3.Old Type	6. 9.None	1.Poor	4.Avg 7.V G		
SF Masonry Trim	0	# Rooms	6	2.Fair	5.Avg+ 8.Exc		
OPEN-3-CUSTOM	0	# Bedrooms	3	3.Avg-	6.Good 9.Same		
OPEN-4-CUSTOM	0	# Full Baths	1	Phys. % Good	0%		
Year Built	1955	# Half Baths	0	Funct. % Good	100%		
Year Remodeled	0	# Addn Fixtures	0	Functional Code	9 None		
Foundation	1 Concrete	# Fireplaces	0	1.Incomp	4.Delap 7.No Power		
1.Concrete	4.Wood 7.			2.O-Built	5.Bsmt 8.LongTerm		
2.C Block	5.Slab 8.			Econ. % Good	100%	Economic Code	None
3.Br/Stone	6.Piers 9.			0.None	3.No Power 7.	1.Location	4.Generate 8.
Basement	4 Full Basement			1.Encroach	9.None 9.	2.Encroach	9.None 9.
1.1/4 Bmt	4.Full Bmt 7.			Entrance Code	5 Estimated	1.Interior	4.Vacant 7.
2.1/2 Bmt	5.None 8.			2.Refusal	5.Estimate 8.	2.Refusal	5.Estimate 8.
3.3/4 Bmt	6. 9.None			3.Informed	6.Reviewed 9.	3.Informed	6.Reviewed 9.
Bsmt Gar # Cars	0			Information Code	5 Estimate	1.Owner	4.Agent 7.
Wet Basement	2 Damp Basement			2.Relative	5.Estimate 8.	2.Relative	5.Estimate 8.
1.Dry	4. 7.			3.Tenant	6.Other 9.	3.Tenant	6.Other 9.
2.Damp	5. 8.						
3.Wet	6. 9.						

Date Inspected 11/15/2018

Additions, Outbuildings & Improvements

Type	Year	Units	Grade	Cond	Phys.	Funct.	Sound Value
22 Encl Frame Porch	1975	600	2 110	3	0 %	90 %	
20 1 Story/Bsmt	1965	198	2 110	4	0 %	85 %	
68 Wood Deck	1990	48	2 100	1	0 %	100 %	
24 Frame Shed	0				%	%	400
					%	%	
					%	%	
					%	%	
					%	%	
					%	%	
					%	%	
					%	%	
					%	%	
					%	%	



Fitzpatrick, Bruce A
Fitzpatrick, Diane E
2671 WASHBURN ROAD
WASHBURN ME 04786

B2650P133

Inspection Witnessed By:

X		Date
No./Date	Description	Date Insp.

Notes:

Washburn

Property Data			Assessment Record							
Neighborhood 1 Neighborhood One			Year	Land	Buildings	Exempt	Total			
Tree Growth Year 0			2012	8,600	60,400	8,800	60,200			
1ST MORTGAGE 0			2013	11,200	60,400	8,800	62,800			
2ND MORTGAGE 0			2015	11,200	60,400	9,000	62,600			
Zone/Land Use 1 Residential			2018	11,200	61,200	18,400	54,000			
Secondary Zone			2019	23,300	55,900	20,000	59,200			
Topography 1 Level			2020	23,300	55,900	25,000	54,200			
1.Level 4.Below St 7.LevelBog			2021	23,300	55,900	25,000	54,200			
2.Rolling 5.Low 8.			2022	23,300	58,600	25,000	56,900			
3.Above St 6.Swampy 9.			2023	29,200	69,400	25,000	73,600			
Utilities 4 Drilled Well 6 Septic System			2024	29,200	69,400	25,000	73,600			
1.Public 4.Dr Well 7.Cesspool										
2.Water 5.Dug Well 8.										
3.Sewer 6.Septic 9.None										
Street 1 Paved										
1.Paved 4.Proposed 7.										
2.Semi Imp 5.R/O/W 8.										
3.Gravel 6. 9.None										
TG PLAN YEAR 0										
Tif District # 0										
Sale Data			Land Data							
Sale Date			Front Foot	Type	Effective		Influence		Influence Codes	
Price					Frontage	Depth	Factor	Code		
Sale Type					11.Regular Lot					
1.Land 4.Mobile 7.C/I L&B					12.Delta Triangle					
2.L & B 5.Other 8.					13.Nabla Triangle					
3.Building 6.C/I Land 9.			14.Rear Land							
Financing			15.Class I Road							
1.Convent 4.Seller 7.			Square Foot	Square Feet					Acres	
2.FHA/VA 5.Private 8.					16.Class II Road	29	2,000	75		% 0
3.Assumed 6.Cash 9.Unknown					17.Municipal Rese					
Validity					18.Munic Sep Lago					
1.Valid 4.Split 7.Renovate					19.Gravel Pit					
2.Related 5.Partial 8.Other			20.Industrial Bas							
3.Distress 6.Exempt 9.			Fract. Acre	Acreage/Sites						
Verified					21.Developed Pave	21	1.00	100		% 0
1.Buyer 4.Agent 7.Family					22.Undev Paved (F	28	6.00	100		% 0
2.Seller 5.Pub Rec 8.Other					23.Developed Grav					
3.Lender 6.MLS 9.					24.Undev Gravel (
			25.Comm Base Pave							
			26.Comm Base Grav							
			27.Backlot							
			28.Rear Land							
			29.Pavement							
			Total Acreage		7.00					

- 1.Unimproved
- 2.Excess Frtg
- 3.Topography
- 4.Size/Shape
- 5.Access
- 6.Restriction
- 7.Open Space
- 8.View/Environ
- 9.Fract Share
- Acres**
- 30.Utility R O W
- 31.Tillable
- 32.Pasture
- 33.Orchard
- 34.Softwood F&O
- 35.Mixed Wood F&O
- 36.Hardwood F&O
- 37.Softwood TG
- 38.Mixed Wood TG
- 39.Hardwood TG
- 40.Wasteland
- 41.Open Space
- 42.Mobile Home Si
- 43.Condo Site
- 44.Lot Improvemen
- 45.Subdivision Lo
- 46.Heavy Ind Sit

Washburn

Map Lot 009-009

Account 446

Location 2671 Washburn Road

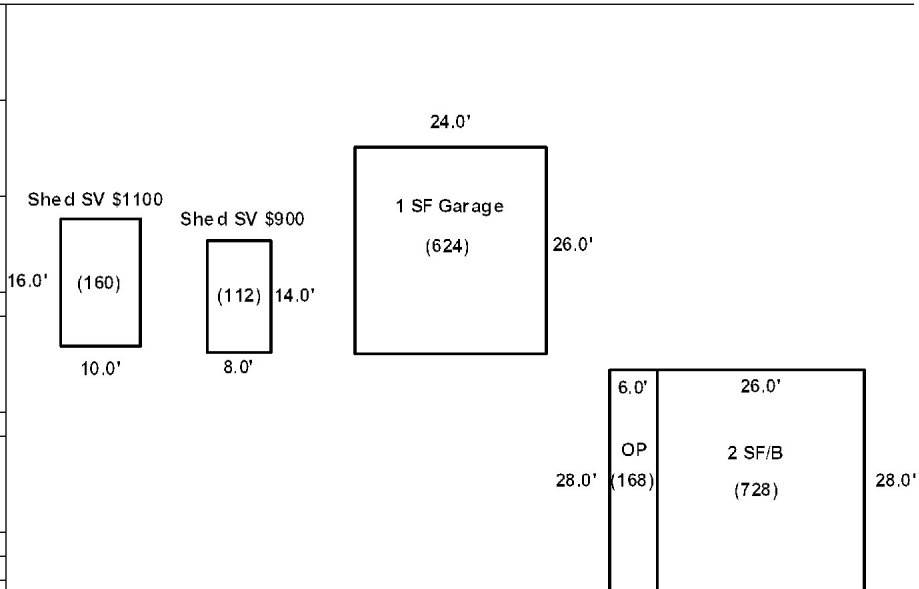
Card 1 Of 1 9/04/2024

Building Style 1 Conventional	SF Bsmt Living 0	Layout 1 Typical
1.Conv. 5.Garrison 9.Gambrel	Fin Bsmt Grade 0 0	1.Typical 4. 7.
2.Ranch 6.Salt Box 10.Other	OPEN 5 OPTIONAL 0	2.Inadeq 5. 8.
3.R Ranch 7.Contemp 11.Split	Heat Type 100% 5 Forced Warm Air	3.Poor 6. 9.
4.Cape 8.Log 12.	1.HWBB 5.FWA 9.No Heat	Attic 9 None
Dwelling Units 1	2.HWCI 6.GravWA 10.	1.1/4 Fin 4.Full Fin 7.
Other Units 0	3.H Pump 7.Electric 11.	2.1/2 Fin 5.FI/Stair 8.
Stories 2 Two Story	4.Steam 8.FI/Wall 12.	3.3/4 Fin 6. 9.None
1.1 4.1.5 7.	Cool Type 0% 9 None	Insulation 1 Full
2.2 5.1.75 8.	1.Refrig 4.W&C Air 7.	1.Full 4.Minimal 7.
3.3 6.2.5 9.	2.Evapor 5. 8.	2.Heavy 5.Partial 8.
Exterior Walls 4 Asbestos Siding	3.H Pump 6. 9.None	3.Capped 6. 9.None
1.Wood 5.Stucco 9.T-111	Kitchen Style 2 Typical	Unfinished % 0%
2.Vin/Al 6.Brick 10.Other	1.Modern 4.Obsolete 7.	Grade & Factor 2 Fair 110%
3.Compos. 7.Stone 11.	2.Typical 5. 8.	1.E Grade 4.B Grade 7.
4.Asbestos 8.Concrete 12.	3.Old Type 6. 9.None	2.D Grade 5.A Grade 8.SC Grade
Roof Surface 1 Asphalt Shingles	Bath(s) Style 2 Typical Bath(s)	3.C Grade 6.AA Grade 9.Same
1.Asphalt 4.Composit 7.	1.Modern 4.Obsolete 7.	SQFT (Footprint) 728
2.Slate 5.Wood 8.	2.Typical 5. 8.	Condition 5 Above Average
3.Metal 6.Other 9.	3.Old Type 6. 9.None	1.Poor 4.Avg 7.V G
SF Masonry Trim 0	# Rooms 6	2.Fair 5.Avg+ 8.Exc
OPEN-3-CUSTOM 0	# Bedrooms 3	3.Avg- 6.Good 9.Same
OPEN-4-CUSTOM 0	# Full Baths 1	Phys. % Good 0%
Year Built 1900	# Half Baths 1	Funct. % Good 100%
Year Remodeled 0	# Addn Fixtures 0	Functional Code 9 None
Foundation 1 Concrete	# Fireplaces 0	1.Incomp 4.Delap 7.No Power
1.Concrete 4.Wood 7.	 <p>TRIO Software A Division of Harris Computer Systems</p>	2.O-Built 5.Bsmt 8.LongTerm
2.C Block 5.Slab 8.		3.Damage 6.Common 9.None
3.Br/Stone 6.Piers 9.		Econ. % Good 100%
Basement 4 Full Basement		Economic Code None
1.1/4 Bmt 4.Full Bmt 7.		0.None 3.No Power 7.
2.1/2 Bmt 5.None 8.		1.Location 4.Generate 8.
3.3/4 Bmt 6. 9.None		2.Encroach 9.None 9.
Bsmt Gar # Cars 0		Entrance Code 1 Interior Inspect
Wet Basement 2 Damp Basement		1.Interior 4.Vacant 7.
1.Dry 4. 7.		2.Refusal 5.Estimate 8.
2.Damp 5. 8.	3.Informed 6.Reviewed 9.	
3.Wet 6. 9.	Information Code 1 Owner	
	1.Owner 4.Agent 7.	
	2.Relative 5.Estimate 8.	
	3.Tenant 6.Other 9.	

Date Inspected 11/15/2018

Additions, Outbuildings & Improvements

Type	Year	Units	Grade	Cond	Phys.	Funct.	Sound Value
21 Open Frame	1945	168	2 115	4	0 %	100 %	
23 Frame Garage	1960	624	2 115	4	0 %	100 %	
24 Frame Shed	0				%	%	900
24 Frame Shed	0				%	%	1,100
					%	%	
					%	%	
					%	%	
					%	%	
					%	%	
					%	%	
					%	%	



STATE OF MAINE, IF&W
41 SHS
AUGUSTA ME 04333

B6469P318

Previous Owner
G.R. Timber Holdings LLC
107 Jefferson Street

Van Buren ME 04785
Sale Date: 7/01/2023

Inspection Witnessed By:

X	Date
No./Date	Description
	Date Insp.

Notes:

* Bk 6052 Pg 225 split out 1.5 acres out. 4-8-2021 ED
*First entered in Tree Growth 12/09/2019 effective for 04/01/2020
** Card 2 is former lot 10A

Washburn

Property Data			Assessment Record						
Neighborhood 1 Neighborhood One			Year	Land	Buildings	Exempt	Total		
Tree Growth Year 2020			2012	117,000	0	0	117,000		
1ST MORTGAGE 0			2013	152,100	0	0	152,100		
2ND MORTGAGE 0			2015	152,100	0	0	152,100		
Zone/Land Use 2 Commercial			2018	152,100	0	0	152,100		
Secondary Zone			2019	231,800	0	0	231,800		
Topography 2 Rolling			2020	106,400	0	0	106,400		
1.Level 4.Below St 7.LevelBog			2021	97,900	0	0	97,900		
2.Rolling 5.Low 8.			2022	98,700	0	0	98,700		
3.Above St 6.Swampy 9.			2023	101,200	0	0	101,200		
Utilities			2024	101,200	0	101,200	0		
1.Public 4.Dr Well 7.Cesspool									
2.Water 5.Dug Well 8.									
3.Sewer 6.Septic 9.None									
Street 1 Paved									
1.Paved 4.Proposed 7.									
2.Semi Imp 5.R/O/W 8.									
3.Gravel 6. 9.None									
TG PLAN YEAR 0									
Tif District # 0									
Sale Data			Land Data						
Sale Date 7/01/2023			Front Foot	Type	Effective		Influence		Influence Codes
Price 458,000					Frontage	Depth	Factor	Code	
Sale Type 1 Land Only			11.Regular Lot					1.Unimproved	
1.Land 4.Mobile 7.C/I L&B			12.Delta Triangle					2.Excess Frtg	
2.L & B 5.Other 8.			13.Nabla Triangle					3.Topography	
3.Building 6.C/I Land 9.			14.Rear Land					4.Size/Shape	
Financing 1 Conventional			15.Class I Road					5.Access	
1.Convent 4.Seller 7.								6.Restriction	
2.FHA/VA 5.Private 8.								7.Open Space	
3.Assumed 6.Cash 9.Unknown								8.View/Environ	
Validity 8 Other Non Valid								9.Fract Share	
1.Valid 4.Split 7.Renovate			Square Foot	Square Feet				Acres	
2.Related 5.Partial 8.Other			16.Class II Road					30.Utility R O W	
3.Distress 6.Exempt 9.			17.Municipal Rese					31.Tillable	
Verified 1 Buyer			18.Munic Sep Lago					32.Pasture	
1.Buyer 4.Agent 7.Family			19.Gravel Pit					33.Orchard	
2.Seller 5.Pub Rec 8.Other			20.Industrial Bas					34.Softwood F&O	
3.Lender 6.MLS 9.			Fract. Acre	Acreege/Sites				35.Mixed Wood F&O	
			21.Developed Pave	27	1.00	100	%	0	
			22.Undev Paved (F	40	53.00	100	%	0	
			23.Developed Grav	37	132.00	100	%	0	
			Acres	38	327.00	100	%	0	
			24.Undev Gravel (39	37.00	100	%	0	
			25.Comm Base Pave	16	10.00	100	%	0	
			26.Comm Base Grav						
			27.Backlot						
			28.Rear Land						
			29.Pavement						
			Total Acreage		560.00				
								44.Lot Improvemen	
								45.Subdivision Lo	
								46.Heavy Ind Sit	


Washburn

Map Lot 009-010

Account 486

Location Washburn Road

Card 1 Of 2 9/04/2024

Building Style 0	SF Bsmt Living 0	Layout 0
1.Conv. 5.Garrison 9.Gambrel	Fin Bsmt Grade 0 0	1.Typical 4. 7.
2.Ranch 6.Salt Box 10.Other	OPEN 5 OPTIONAL 0	2.Inadeq 5. 8.
3.R Ranch 7.Contemp 11.Split	Heat Type 100% 0	3.Poor 6. 9.
4.Cape 8.Log 12.	1.HWBB 5.FWA 9.No Heat	Attic 0
Dwelling Units 0	2.HWCI 6.GravWA 10.	1.1/4 Fin 4.Full Fin 7.
Other Units 0	3.H Pump 7.Electric 11.	2.1/2 Fin 5.F/Stair 8.
Stories 0	4.Steam 8.F/Wall 12.	3.3/4 Fin 6. 9.None
1.1 4.1.5 7.	Cool Type 0% 9 None	Insulation 0
2.2 5.1.75 8.	1.Refrig 4.W&C Air 7.	1.Full 4.Minimal 7.
3.3 6.2.5 9.	2.Evapor 5. 8.	2.Heavy 5.Partial 8.
Exterior Walls 0	3.H Pump 6. 9.None	3.Capped 6. 9.None
1.Wood 5.Stucco 9.T-111	Kitchen Style 0	Unfinished % 0%
2.Vin/Al 6.Brick 10.Other	1.Modern 4.Obsolete 7.	Grade & Factor 0 0%
3.Compos. 7.Stone 11.	2.Typical 5. 8.	1.E Grade 4.B Grade 7.
4.Asbestos 8.Concrete 12.	3.Old Type 6. 9.None	2.D Grade 5.A Grade 8.SC Grade
Roof Surface 0	Bath(s) Style 0	3.C Grade 6.AA Grade 9.Same
1.Asphalt 4.Composit 7.	1.Modern 4.Obsolete 7.	SQFT (Footprint) 0
2.Slate 5.Wood 8.	2.Typical 5. 8.	Condition 0
3.Metal 6.Other 9.	3.Old Type 6. 9.None	1.Poor 4.Avg 7.V G
SF Masonry Trim 0	# Rooms 0	2.Fair 5.Avg+ 8.Exc
OPEN-3-CUSTOM 0	# Bedrooms 0	3.Avg- 6.Good 9.Same
OPEN-4-CUSTOM 0	# Full Baths 0	Phys. % Good 0%
Year Built 0	# Half Baths 0	Funct. % Good 100%
Year Remodeled 0	# Addn Fixtures 0	Functional Code 9 None
Foundation 0	# Fireplaces 0	1.Incomp 4.Delap 7.No Power
1.Concrete 4.Wood 7.		2.O-Built 5.Bsmt 8.LongTerm
2.C Block 5.Slab 8.		3.Damage 6.Common 9.None
3.Br/Stone 6.Piers 9.		Econ. % Good 100%
Basement 0		Economic Code None
1.1/4 Bmt 4.Full Bmt 7.		0.None 3.No Power 7.
2.1/2 Bmt 5.None 8.		1.Location 4.Generate 8.
3.3/4 Bmt 6. 9.None		2.Encroach 9.None 9.
Bsmt Gar # Cars 0		Entrance Code 0
Wet Basement 0		1.Interior 4.Vacant 7.
1.Dry 4. 7.		2.Refusal 5.Estimate 8.
2.Damp 5. 8.	3.Informed 6.Reviewed 9.	
3.Wet 6. 9.	Information Code 0	
		1.Owner 4.Agent 7.
		2.Relative 5.Estimate 8.
		3.Tenant 6.Other 9.

Date Inspected

Additions, Outbuildings & Improvements

Type	Year	Units	Grade	Cond	Phys.	Funct.	Sound Value
					%	%	1.One Story Fram
					%	%	2.Two Story Fram
					%	%	3.Three Story Fr
					%	%	4.1 & 1/2 Story
					%	%	5.1 & 3/4 Story
					%	%	6.2 & 1/2 Story
					%	%	21.Open Frame Por
					%	%	22.Encl Frame Por
					%	%	23.Frame Garage
					%	%	24.Frame Shed
					%	%	25.Frame Bay Wind
					%	%	26.1SFr Overhang
					%	%	27.Unfin Basement
					%	%	28.Unfinished Att
					%	%	29.Finished Attic

Washburn

Map Lot 009-010

Account 486

Location Washburn Road

Card 2 Of 2 9/04/2024

Building Style	SF Bsmt Living	Layout
1.Conv. 5.Garrison 9.Gambrel	Fin Bsmt Grade	1.Typical 4. 7.
2.Ranch 6.Salt Box 10.Other	OPEN 5 OPTIONAL	2.Inadeq 5. 8.
3.R Ranch 7.Contemp 11.Split	Heat Type 100%	3.Poor 6. 9.
4.Cape 8.Log 12.	1.HWBB 5.FWA 9.No Heat	Attic
Dwelling Units	2.HWCI 6.GravWA 10.	1.1/4 Fin 4.Full Fin 7.
Other Units	3.H Pump 7.Electric 11.	2.1/2 Fin 5.F/Stair 8.
Stories	4.Steam 8.F/Wall 12.	3.3/4 Fin 6. 9.None
1.1 4.1.5 7.	Cool Type 0%	Insulation
2.2 5.1.75 8.	1.Refrig 4.W&C Air 7.	1.Full 4.Minimal 7.
3.3 6.2.5 9.	2.Evapor 5. 8.	2.Heavy 5.Partial 8.
Exterior Walls	3.H Pump 6. 9.None	3.Capped 6. 9.None
1.Wood 5.Stucco 9.T-111	Kitchen Style	Unfinished %
2.Vin/Al 6.Brick 10.Other	1.Modern 4.Obsolete 7.	Grade & Factor
3.Compos. 7.Stone 11.	2.Typical 5. 8.	1.E Grade 4.B Grade 7.
4.Asbestos 8.Concrete 12.	3.Old Type 6. 9.None	2.D Grade 5.A Grade 8.SC Grade
Roof Surface	Bath(s) Style	3.C Grade 6.AA Grade 9.Same
1.Asphalt 4.Composit 7.	1.Modern 4.Obsolete 7.	SQFT (Footprint)
2.Slate 5.Wood 8.	2.Typical 5. 8.	Condition
3.Metal 6.Other 9.	3.Old Type 6. 9.None	1.Poor 4.Avg 7.V G
SF Masonry Trim	# Rooms	2.Fair 5.Avg+ 8.Exc
OPEN-3-CUSTOM	# Bedrooms	3.Avg- 6.Good 9.Same
OPEN-4-CUSTOM	# Full Baths	Phys. % Good
Year Built	# Half Baths	Funct. % Good
Year Remodeled	# Addn Fixtures	Functional Code
Foundation	# Fireplaces	1.Incomp 4.Delap 7.No Power
1.Concrete 4.Wood 7.		2.O-Built 5.Bsmt 8.LongTerm
2.C Block 5.Slab 8.		3.Damage 6.Common 9.None
3.Br/Stone 6.Piers 9.		Econ. % Good
Basement		Economic Code
1.1/4 Bmt 4.Full Bmt 7.		0.None 3.No Power 7.
2.1/2 Bmt 5.None 8.		1.Location 4.Generate 8.
3.3/4 Bmt 6. 9.None		2.Encroach 9.None 9.
Bsmt Gar # Cars		Entrance Code 0
Wet Basement		1.Interior 4.Vacant 7.
1.Dry 4. 7.		2.Refusal 5.Estimate 8.
2.Damp 5. 8.	3.Informed 6.Reviewed 9.	
3.Wet 6. 9.	Information Code 0	
		1.Owner 4.Agent 7.
		2.Relative 5.Estimate 8.
		3.Tenant 6.Other 9.
Date Inspected		

Additions, Outbuildings & Improvements								
Type	Year	Units	Grade	Cond	Phys.	Funct.	Sound Value	
					%	%		1.One Story Fram
					%	%		2.Two Story Fram
					%	%		3.Three Story Fr
					%	%		4.1 & 1/2 Story
					%	%		5.1 & 3/4 Story
					%	%		6.2 & 1/2 Story
					%	%		21.Open Frame Por
					%	%		22.Encl Frame Por
					%	%		23.Frame Garage
					%	%		24.Frame Shed
					%	%		25.Frame Bay Wind
					%	%		26.1SFr Overhang
					%	%		27.Unfin Basement
					%	%		28.Unfinished Att
					%	%		29.Finished Attic

IRVING FARMS, INC
PO BOX 667
CARIBOU ME 04736

B5571P192 B5571P192

Previous Owner
IRVING, ROBERT G.
P.O. BOX 667

CARIBOU ME 04736
Sale Date: 8/03/2016

Inspection Witnessed By:

X	Date
No./Date	Description
	Date Insp.

Notes:

Washburn

Property Data			Assessment Record						
Neighborhood 1 Neighborhood One			Year	Land	Buildings	Exempt	Total		
Tree Growth Year 0			2012	7,300	0	0	7,300		
1ST MORTGAGE 0			2013	9,500	0	0	9,500		
2ND MORTGAGE 0			2015	9,500	0	0	9,500		
Zone/Land Use 2 Commercial			2018	9,500	0	0	9,500		
Secondary Zone			2019	41,400	0	0	41,400		
Topography 1 Level			2020	41,400	0	0	41,400		
1.Level 4.Below St 7.LevelBog			2021	41,400	0	0	41,400		
2.Rolling 5.Low 8.			2022	41,400	0	0	41,400		
3.Above St 6.Swampy 9.			2023	46,700	0	0	46,700		
Utilities			2024	46,700	0	0	46,700		
1.Public 4.Dr Well 7.Cesspool									
2.Water 5.Dug Well 8.									
3.Sewer 6.Septic 9.None									
Street 1 Paved									
1.Paved 4.Proposed 7.									
2.Semi Imp 5.R/O/W 8.									
3.Gravel 6. 9.None									
TG PLAN YEAR 0									
Tif District # 0									
Sale Data			Land Data						
Sale Date 8/03/2016			Front Foot	Type	Effective		Influence		Influence Codes
Price					Frontage	Depth	Factor	Code	
Sale Type 1 Land Only			11.Regular Lot					1.Unimproved	
1.Land 4.Mobile 7.C/I L&B			12.Delta Triangle			%		2.Excess Frtg	
2.L & B 5.Other 8.			13.Nabla Triangle			%		3.Topography	
3.Building 6.C/I Land 9.			14.Rear Land			%		4.Size/Shape	
Financing 4 Seller Financed			15.Class I Road			%		5.Access	
1.Convent 4.Seller 7.						%		6.Restriction	
2.FHA/VA 5.Private 8.						%		7.Open Space	
3.Assumed 6.Cash 9.Unknown						%		8.View/Environ	
Validity 2 Related Parties			Square Foot	Square Feet				9.Fract Share	
1.Valid 4.Split 7.Renovate			16.Class II Road			%		Acres	
2.Related 5.Partial 8.Other			17.Municipal Rese			%		30.Utility R O W	
3.Distress 6.Exempt 9.			18.Munic Sep Lago			%		31.Tillable	
Verified 5 Public Record			19.Gravel Pit			%		32.Pasture	
1.Buyer 4.Agent 7.Family			20.Industrial Bas			%		33.Orchard	
2.Seller 5.Pub Rec 8.Other						%		34.Softwood F&O	
3.Lender 6.MLS 9.			Fract. Acre	Acres/Sites				35.Mixed Wood F&O	
			21.Developed Pave	25	1.00	100	% 0	36.Hardwood F&O	
			22.Undev Paved (F	28	16.00	100	% 0	37.Softwood TG	
			23.Developed Grav	40	6.00	100	% 0	38.Mixed Wood TG	
			Acres				%	39.Hardwood TG	
			24.Undev Gravel (%	40.Wasteland	
			25.Comm Base Pave				%	41.Open Space	
			26.Comm Base Grav				%	42.Mobile Home Si	
			27.Backlot				%	43.Condo Site	
			28.Rear Land				%	44.Lot Improvemen	
			29.Pavement				%	45.Subdivision Lo	
				Total Acreage		23.00		46.Heavy Ind Sit	

Washburn

Map Lot 009-010B

Account 536

Location WASHBURN ROAD

Card 1 Of 1 9/04/2024

Building Style 0	SF Bsmt Living 0	Layout 0
1.Conv. 5.Garrison 9.Gambrel	Fin Bsmt Grade 0 0	1.Typical 4. 7.
2.Ranch 6.Salt Box 10.Other	OPEN 5 OPTIONAL 0	2.Inadeq 5. 8.
3.R Ranch 7.Contemp 11.Split	Heat Type 100% 0	3.Poor 6. 9.
4.Cape 8.Log 12.	1.HWBB 5.FWA 9.No Heat	Attic 0
Dwelling Units 0	2.HWCI 6.GravWA 10.	1.1/4 Fin 4.Full Fin 7.
Other Units 0	3.H Pump 7.Electric 11.	2.1/2 Fin 5.FI/Stair 8.
Stories 0	4.Steam 8.FI/Wall 12.	3.3/4 Fin 6. 9.None
1.1 4.1.5 7.	Cool Type 0% 9 None	Insulation 0
2.2 5.1.75 8.	1.Refrig 4.W&C Air 7.	1.Full 4.Minimal 7.
3.3 6.2.5 9.	2.Evapor 5. 8.	2.Heavy 5.Partial 8.
Exterior Walls 0	3.H Pump 6. 9.None	3.Capped 6. 9.None
1.Wood 5.Stucco 9.T-111	Kitchen Style 0	Unfinished % 0%
2.Vin/Al 6.Brick 10.Other	1.Modern 4.Obsolete 7.	Grade & Factor 0 0%
3.Compos. 7.Stone 11.	2.Typical 5. 8.	1.E Grade 4.B Grade 7.
4.Asbestos 8.Concrete 12.	3.Old Type 6. 9.None	2.D Grade 5.A Grade 8.SC Grade
Roof Surface 0	Bath(s) Style 0	3.C Grade 6.AA Grade 9.Same
1.Asphalt 4.Composit 7.	1.Modern 4.Obsolete 7.	SQFT (Footprint) 0
2.Slate 5.Wood 8.	2.Typical 5. 8.	Condition 0
3.Metal 6.Other 9.	3.Old Type 6. 9.None	1.Poor 4.Avg 7.V G
SF Masonry Trim 0	# Rooms 0	2.Fair 5.Avg+ 8.Exc
OPEN-3-CUSTOM 0	# Bedrooms 0	3.Avg- 6.Good 9.Same
OPEN-4-CUSTOM 0	# Full Baths 0	Phys. % Good 0%
Year Built 0	# Half Baths 0	Funct. % Good 100%
Year Remodeled 0	# Addn Fixtures 0	Functional Code 9 None
Foundation 0	# Fireplaces 0	1.Incomp 4.Delap 7.No Power
1.Concrete 4.Wood 7.		2.O-Built 5.Bsmt 8.LongTerm
2.C Block 5.Slab 8.		3.Damage 6.Common 9.None
3.Br/Stone 6.Piers 9.		Econ. % Good 100%
Basement 0		Economic Code None
1.1/4 Bmt 4.Full Bmt 7.		0.None 3.No Power 7.
2.1/2 Bmt 5.None 8.		1.Location 4.Generate 8.
3.3/4 Bmt 6. 9.None		2.Encroach 9.None 9.
Bsmt Gar # Cars 0		Entrance Code 0
Wet Basement 0		1.Interior 4.Vacant 7.
1.Dry 4. 7.		2.Refusal 5.Estimate 8.
2.Damp 5. 8.	3.Informed 6.Reviewed 9.	
3.Wet 6. 9.	Information Code 0	
		1.Owner 4.Agent 7.
		2.Relative 5.Estimate 8.
		3.Tenant 6.Other 9.

Date Inspected

Additions, Outbuildings & Improvements

Type	Year	Units	Grade	Cond	Phys.	Funct.	Sound Value
					%	%	1.One Story Fram
					%	%	2.Two Story Fram
					%	%	3.Three Story Fr
					%	%	4.1 & 1/2 Story
					%	%	5.1 & 3/4 Story
					%	%	6.2 & 1/2 Story
					%	%	21.Open Frame Por
					%	%	22.Encl Frame Por
					%	%	23.Frame Garage
					%	%	24.Frame Shed
					%	%	25.Frame Bay Wind
					%	%	26.1SFr Overhang
					%	%	27.Unfin Basement
					%	%	28.Unfinished Att
					%	%	29.Finished Attic

IRVING, ROBERT G
PO BOX 667
CARIBOU ME 04736

B3230P141

Inspection Witnessed By:

No./Date	Description	Date Insp.
X		

Notes:

Washburn

Property Data			Assessment Record							
Neighborhood 1 Neighborhood One			Year	Land	Buildings	Exempt	Total			
Tree Growth Year 0			2012	3,700	0	0	3,700			
1ST MORTGAGE 0			2013	4,800	0	0	4,800			
2ND MORTGAGE 0			2015	4,800	0	0	4,800			
Zone/Land Use 1 Residential			2018	4,800	0	0	4,800			
Secondary Zone			2019	11,400	0	0	11,400			
Topography 1 Level			2020	11,400	0	0	11,400			
1.Level 4.Below St 7.LevelBog			2021	11,400	0	0	11,400			
2.Rolling 5.Low 8.			2022	11,400	0	0	11,400			
3.Above St 6.Swampy 9.			2023	13,700	0	0	13,700			
Utilities			2024	13,700	0	0	13,700			
1.Public 4.Dr Well 7.Cesspool										
2.Water 5.Dug Well 8.										
3.Sewer 6.Septic 9.None										
Street 1 Paved										
1.Paved 4.Proposed 7.										
2.Semi Imp 5.R/O/W 8.										
3.Gravel 6. 9.None										
TG PLAN YEAR 0										
Tif District # 0										
Sale Data			Land Data							
Sale Date 12/10/1998			Front Foot	Type	Effective		Influence		Influence Codes	
Price					Frontage	Depth	Factor	Code		
Sale Type 1 Land Only					11.Regular Lot		%			1.Unimproved
1.Land 4.Mobile 7.C/I L&B					12.Delta Triangle		%			2.Excess Frtg
2.L & B 5.Other 8.					13.Nabla Triangle		%			3.Topography
3.Building 6.C/I Land 9.			14.Rear Land		%		4.Size/Shape			
Financing			15.Class I Road		%		5.Access			
1.Convent 4.Seller 7.					%		6.Restriction			
2.FHA/VA 5.Private 8.					%		7.Open Space			
3.Assumed 6.Cash 9.Unknown					%		8.View/Environ			
Validity 1 Arms Length Sale			Square Foot	Square Feet				9.Fract Share		
1.Valid 4.Split 7.Renovate			16.Class II Road		%		30.Utility R O W			
2.Related 5.Partial 8.Other			17.Municipal Rese		%		31.Tillable			
3.Distress 6.Exempt 9.			18.Munic Sep Lago		%		32.Pasture			
Verified 5 Public Record			19.Gravel Pit		%		33.Orchard			
1.Buyer 4.Agent 7.Family			20.Industrial Bas		%		34.Softwood F&O			
2.Seller 5.Pub Rec 8.Other			Fract. Acre	Acres/Sites			35.Mixed Wood F&O			
3.Lender 6.MLS 9.			21.Developed Pave	22	1.00	100 %	0	36.Hardwood F&O		
			22.Undev Paved (F	28	4.74	100 %	0	37.Softwood TG		
			23.Developed Grav			%		38.Mixed Wood TG		
			Acres			%		39.Hardwood TG		
			24.Undev Gravel (%		40.Wasteland		
			25.Comm Base Pave			%		41.Open Space		
			26.Comm Base Grav			%		42.Mobile Home Si		
			27.Backlot			%		43.Condo Site		
			28.Rear Land			%		44.Lot Improvemen		
			29.Pavement			%		45.Subdivision Lo		
			Total Acreage		5.74			46.Heavy Ind Sit		

Washburn

Map Lot 009-010C

Account 537

Location WASHBURN ROAD

Card 1 Of 1 9/04/2024

Building Style 0	SF Bsmt Living 0	Layout 0
1.Conv. 5.Garrison 9.Gambrel	Fin Bsmt Grade 0 0	1.Typical 4. 7.
2.Ranch 6.Salt Box 10.Other	OPEN 5 OPTIONAL 0	2.Inadeq 5. 8.
3.R Ranch 7.Contemp 11.Split	Heat Type 100% 0	3.Poor 6. 9.
4.Cape 8.Log 12.	1.HWBB 5.FWA 9.No Heat	Attic 0
Dwelling Units 0	2.HWCI 6.GravWA 10.	1.1/4 Fin 4.Full Fin 7.
Other Units 0	3.H Pump 7.Electric 11.	2.1/2 Fin 5.FI/Stair 8.
Stories 0	4.Steam 8.FI/Wall 12.	3.3/4 Fin 6. 9.None
1.1 4.1.5 7.	Cool Type 0% 9 None	Insulation 0
2.2 5.1.75 8.	1.Refrig 4.W&C Air 7.	1.Full 4.Minimal 7.
3.3 6.2.5 9.	2.Evapor 5. 8.	2.Heavy 5.Partial 8.
Exterior Walls 0	3.H Pump 6. 9.None	3.Capped 6. 9.None
1.Wood 5.Stucco 9.T-111	Kitchen Style 0	Unfinished % 0%
2.Vin/Al 6.Brick 10.Other	1.Modern 4.Obsolete 7.	Grade & Factor 0 0%
3.Compos. 7.Stone 11.	2.Typical 5. 8.	1.E Grade 4.B Grade 7.
4.Asbestos 8.Concrete 12.	3.Old Type 6. 9.None	2.D Grade 5.A Grade 8.SC Grade
Roof Surface 0	Bath(s) Style 0	3.C Grade 6.AA Grade 9.Same
1.Asphalt 4.Composit 7.	1.Modern 4.Obsolete 7.	SQFT (Footprint) 0
2.Slate 5.Wood 8.	2.Typical 5. 8.	Condition 0
3.Metal 6.Other 9.	3.Old Type 6. 9.None	1.Poor 4.Avg 7.V G
SF Masonry Trim 0	# Rooms 0	2.Fair 5.Avg+ 8.Exc
OPEN-3-CUSTOM 0	# Bedrooms 0	3.Avg- 6.Good 9.Same
OPEN-4-CUSTOM 0	# Full Baths 0	Phys. % Good 0%
Year Built 0	# Half Baths 0	Funct. % Good 100%
Year Remodeled 0	# Addn Fixtures 0	Functional Code 9 None
Foundation 0	# Fireplaces 0	1.Incomp 4.Delap 7.No Power
1.Concrete 4.Wood 7.		2.O-Built 5.Bsmt 8.LongTerm
2.C Block 5.Slab 8.		3.Damage 6.Common 9.None
3.Br/Stone 6.Piers 9.		Econ. % Good 100%
Basement 0		Economic Code None
1.1/4 Bmt 4.Full Bmt 7.		0.None 3.No Power 7.
2.1/2 Bmt 5.None 8.		1.Location 4.Generate 8.
3.3/4 Bmt 6. 9.None		2.Encroach 9.None 9.
Bsmt Gar # Cars 0		Entrance Code 0
Wet Basement 0		1.Interior 4.Vacant 7.
1.Dry 4. 7.		2.Refusal 5.Estimate 8.
2.Damp 5. 8.	3.Informed 6.Reviewed 9.	
3.Wet 6. 9.	Information Code 0	
		1.Owner 4.Agent 7.
		2.Relative 5.Estimate 8.
		3.Tenant 6.Other 9.

Date Inspected

Additions, Outbuildings & Improvements							
Type	Year	Units	Grade	Cond	Phys.	Funct.	Sound Value
					%	%	1.One Story Fram
					%	%	2.Two Story Fram
					%	%	3.Three Story Fr
					%	%	4.1 & 1/2 Story
					%	%	5.1 & 3/4 Story
					%	%	6.2 & 1/2 Story
					%	%	21.Open Frame Por
					%	%	22.Encl Frame Por
					%	%	23.Frame Garage
					%	%	24.Frame Shed
					%	%	25.Frame Bay Wind
					%	%	26.1SFr Overhang
					%	%	27.Unfin Basement
					%	%	28.Unfinished Att
					%	%	29.Finished Attic

SWEETSER, WILLIAM G
SWEETSER, JANET U
875 BAYSHORE DRIVE
ENGLEWOOD FL 34223

B4401P230

Previous Owner
Irving, Steven
2504 Washburn Road

Washburn ME
Sale Date: 2/12/2007

Inspection Witnessed By:

X Date

No./Date	Description	Date Insp.

Notes:

Washburn

Property Data			Assessment Record						
Neighborhood 1 Neighborhood One			Year	Land	Buildings	Exempt	Total		
Tree Growth Year 0			2012	7,500	16,800	0	24,300		
1ST MORTGAGE 0			2013	9,800	16,800	0	26,600		
2ND MORTGAGE 0			2015	9,800	16,800	0	26,600		
Zone/Land Use 1 Residential			2018	9,800	16,800	0	26,600		
Secondary Zone			2019	10,100	26,000	0	36,100		
Topography 2 Rolling			2020	10,100	25,600	0	35,700		
1.Level 4.Below St 7.LevelBog			2021	10,100	26,000	0	36,100		
2.Rolling 5.Low 8.			2022	10,100	27,200	0	37,300		
3.Above St 6.Swampy 9.			2023	12,300	31,900	0	44,200		
Utilities			2024	12,300	31,900	0	44,200		
1.Public 4.Dr Well 7.Cesspool									
2.Water 5.Dug Well 8.									
3.Sewer 6.Septic 9.None									
Street 1 Paved									
1.Paved 4.Proposed 7.			Land Data						
2.Semi Imp 5.R/O/W 8.									
3.Gravel 6. 9.None			Front Foot	Type	Effective		Influence		Influence Codes
TG PLAN YEAR 0			11.Regular Lot		Frontage	Depth	Factor	Code	
Tif District # 0			12.Delta Triangle				%		1.Unimproved
Sale Data			13.Nabla Triangle				%		2.Excess Frtg
Sale Date 2/12/2007			14.Rear Land				%		3.Topography
Price 69,000			15.Class I Road				%		4.Size/Shape
Sale Type 2 Land & Buildings							%		5.Access
1.Land 4.Mobile 7.C/I L&B							%		6.Restriction
2.L & B 5.Other 8.			Square Foot	Square Feet					7.Open Space
3.Building 6.C/I Land 9.			16.Class II Road				%		8.View/Environ
Financing			17.Municipal Rese				%		9.Fract Share
1.Convent 4.Seller 7.			18.Munic Sep Lago				%		Acres
2.FHA/VA 5.Private 8.			19.Gravel Pit				%		30.Utility R O W
3.Assumed 6.Cash 9.Unknown			20.Industrial Bas				%		31.Tillable
Validity 1 Arms Length Sale							%		32.Pasture
1.Valid 4.Split 7.Renovate			Fract. Acre	Acreege/Sites					33.Orchard
2.Related 5.Partial 8.Other			21.Developed Pave	22	1.00	100	%	0	34.Softwood F&O
3.Distress 6.Exempt 9.			22.Undev Paved (F	28	2.00	100	%	0	35.Mixed Wood F&O
Verified 5 Public Record			23.Developed Grav	40	2.40	100	%	0	36.Hardwood F&O
1.Buyer 4.Agent 7.Family			24.Undev Gravel (%		37.Softwood TG
2.Seller 5.Pub Rec 8.Other			25.Comm Base Pave				%		38.Mixed Wood TG
3.Lender 6.MLS 9.			26.Comm Base Grav				%		39.Hardwood TG
			27.Backlot				%		40.Wasteland
			28.Rear Land				%		41.Open Space
			29.Pavement				%		42.Mobile Home Si
			Total Acreage		5.40				43.Condo Site
									44.Lot Improvemen
									45.Subdivision Lo
									46.Heavy Ind Sit

Washburn

Map Lot 009-010D


Account 544

Location 2667 WASHBURN ROAD

Card 1

Of 1

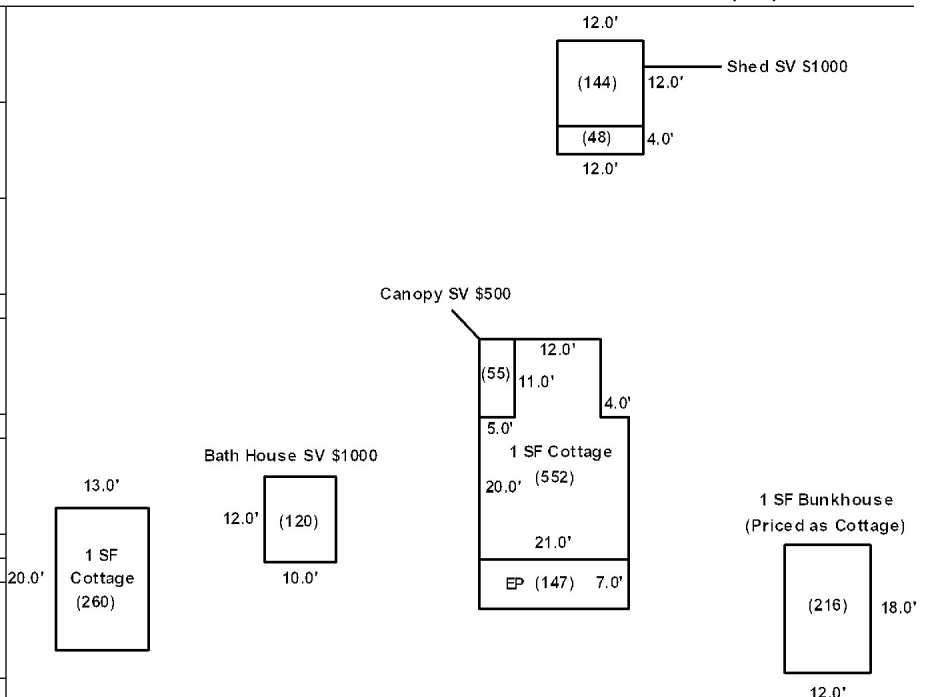
9/04/2024

Building Style	SF Bsmt Living		Layout	
1.Conv. 5.Garrison 9.Gambrel	Fin Bsmt Grade		1.Typical 4. 7.	
2.Ranch 6.Salt Box 10.Other	OPEN 5 OPTIONAL		2.Inadeq 5. 8.	
3.R Ranch 7.Contemp 11.Split	Heat Type 100%		3.Poor 6. 9.	
4.Cape 8.Log 12.	1.HWBB 5.FWA 9.No Heat		Attic	
Dwelling Units	2.HWCI 6.GravWA 10.		1.1/4 Fin 4.Full Fin 7.	
Other Units	3.H Pump 7.Electric 11.		2.1/2 Fin 5.FI/Stair 8.	
Stories	4.Steam 8.FI/Wall 12.		3.3/4 Fin 6. 9.None	
1.1 4.1.5 7.	Cool Type 0%		Insulation	
2.2 5.1.75 8.	1.Refrig 4.W&C Air 7.		1.Full 4.Minimal 7.	
3.3 6.2.5 9.	2.Evapor 5. 8.		2.Heavy 5.Partial 8.	
Exterior Walls	3.H Pump 6. 9.None		3.Capped 6. 9.None	
1.Wood 5.Stucco 9.T-111	Kitchen Style		Unfinished %	
2.Vin/Al 6.Brick 10.Other	1.Modern 4.Obsolete 7.		Grade & Factor	
3.Compos. 7.Stone 11.	2.Typical 5. 8.		1.E Grade 4.B Grade 7.	
4.Asbestos 8.Concrete 12.	3.Old Type 6. 9.None		2.D Grade 5.A Grade 8.SC Grade	
Roof Surface	Bath(s) Style		3.C Grade 6.AA Grade 9.Same	
1.Asphalt 4.Composit 7.	1.Modern 4.Obsolete 7.		SQFT (Footprint)	
2.Slate 5.Wood 8.	2.Typical 5. 8.		Condition	
3.Metal 6.Other 9.	3.Old Type 6. 9.None		1.Poor 4.Avg 7.V G	
SF Masonry Trim	# Rooms		2.Fair 5.Avg+ 8.Exc	
OPEN-3-CUSTOM	# Bedrooms		3.Avg- 6.Good 9.Same	
OPEN-4-CUSTOM	# Full Baths		Phys. % Good	
Year Built	# Half Baths		Funct. % Good	
Year Remodeled	# Addn Fixtures		Functional Code	
Foundation	# Fireplaces		1.Incomp 4.Delap 7.No Power	
1.Concrete 4.Wood 7.			2.O-Built 5.Bsmt 8.LongTerm	
2.C Block 5.Slab 8.			3.Damage 6.Common 9.None	
3.Br/Stone 6.Piers 9.			Econ. % Good	
Basement			Economic Code	
1.1/4 Bmt 4.Full Bmt 7.			0.None 3.No Power 7.	
2.1/2 Bmt 5.None 8.			1.Location 4.Generate 8.	
3.3/4 Bmt 6. 9.None			2.Encroach 9.None 9.	
Bsmt Gar # Cars			Entrance Code 5 Estimated	
Wet Basement			1.Interior 4.Vacant 7.	
1.Dry 4. 7.			2.Refusal 5.Estimate 8.	
2.Damp 5. 8.	3.Informed 6.Reviewed 9.			
3.Wet 6. 9.	Information Code 5 Estimate			
	1.Owner 4.Agent 7.		1.One Story Fram	
	2.Relative 5.Estimate 8.		2.Two Story Fram	
	3.Tenant 6.Other 9.		3.Three Story Fr	

Date Inspected 5/01/2019

Additions, Outbuildings & Improvements

Type	Year	Units	Grade	Cond	Phys.	Funct.	Sound Value
8 Cottage	1990	552	2 100	2	0 %	100 %	
22 Encl Frame Porch	1990	147	2 100	2	0 %	100 %	
61 Canopy	0				%	%	500
10 Bath House	0				%	%	1,000
8 Cottage	1995	260	2 100	2	0 %	100 %	
8 Cottage	1990	216	2 100	2	0 %	100 %	
24 Frame Shed	0				%	%	1,000
					%	%	
					%	%	
					%	%	
					%	%	




Washburn

Map Lot 009-011

Account 889

Location 2575 Washburn Road

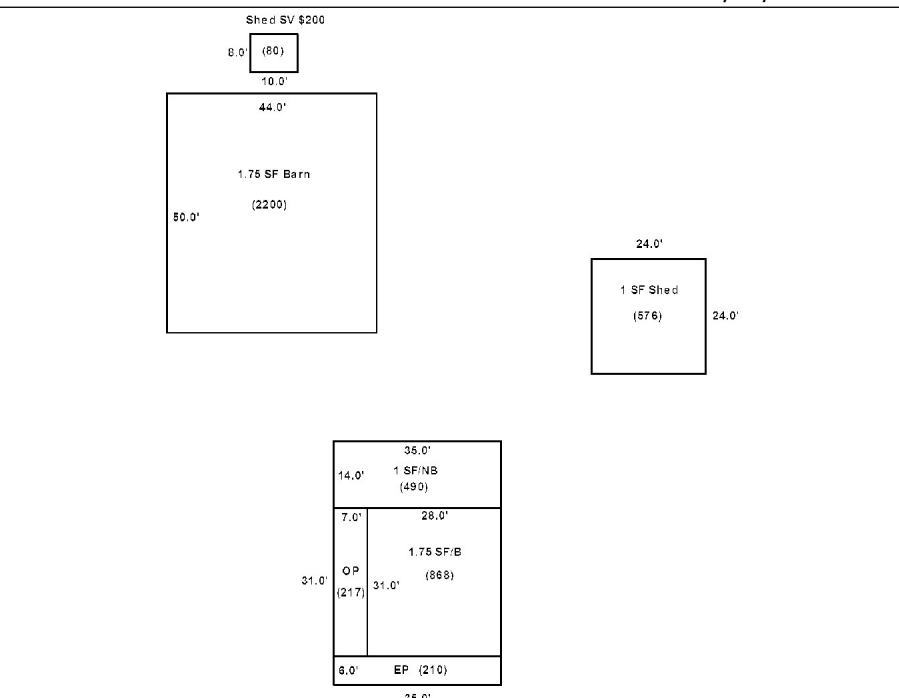
Card 1 Of 1 9/04/2024

Building Style	4 Cape Cod			SF Bsmt Living	0			Layout	1 Typical		
1.Conv.	5.Garrison	9.Gambrel		Fin Bsmt Grade	0 0			1.Typical	4.	7.	
2.Ranch	6.Salt Box	10.Other		OPEN 5 OPTIONAL	0			2.Inadeq	5.	8.	
3.R Ranch	7.Contemp	11.Split		Heat Type	100% 5 Forced Warm Air			3.Poor	6.	9.	
4.Cape	8.Log	12.		1.HWBB	5.FWA	9.No Heat	Attic	9 None			
Dwelling Units	1			2.HWCI	6.GravWA	10.	1.1/4 Fin	4.Full Fin	7.		
Other Units	0			3.H Pump	7.Electric	11.	2.1/2 Fin	5.FI/Stair	8.		
Stories	4 One & 1/2 Story			4.Steam	8.FI/Wall	12.	3.3/4 Fin	6.	9.None		
1.1	4.1.5	7.		Cool Type	0% 9 None			Insulation	1 Full		
2.2	5.1.75	8.		1.Refrig	4.W&C Air	7.	1.Full	4.Minimal	7.		
3.3	6.2.5	9.		2.Evapor	5.	8.	2.Heavy	5.Partial	8.		
Exterior Walls	2 Vinyl/Aluminum			3.H Pump	6.	9.None	3.Capped	6.	9.None		
1.Wood	5.Stucco	9.T-111		Kitchen Style	2 Typical			Unfinished %	0%		
2.Vin/Al	6.Brick	10.Other		1.Modern	4.Obsolete	7.	Grade & Factor	2 Fair 110%			
3.Compos.	7.Stone	11.		2.Typical	5.	8.	1.E Grade	4.B Grade	7.		
4.Asbestos	8.Concrete	12.		3.Old Type	6.	9.None	2.D Grade	5.A Grade	8.SC Grade		
Roof Surface	1 Asphalt Shingles			Bath(s) Style	2 Typical Bath(s)			3.C Grade	6.AA Grade	9.Same	
1.Asphalt	4.Composit	7.		1.Modern	4.Obsolete	7.	SQFT (Footprint)	868			
2.Slate	5.Wood	8.		2.Typical	5.	8.	Condition	4 Average			
3.Metal	6.Other	9.		3.Old Type	6.	9.None	1.Poor	4.Avg	7.V G		
SF Masonry Trim	0			# Rooms	7			2.Fair	5.Avg+	8.Exc	
OPEN-3-CUSTOM	0			# Bedrooms	4			3.Avg-	6.Good	9.Same	
OPEN-4-CUSTOM	0			# Full Baths	1			Phys. % Good	0%		
Year Built	1890			# Half Baths	0			Funct. % Good	100%		
Year Remodeled	0			# Addn Fixtures	0			Functional Code	9 None		
Foundation	3 Brick &/or Stone			# Fireplaces	0			1.Incomp	4.Delap	7.No Power	
1.Concrete	4.Wood	7.									
2.C Block	5.Slab	8.									
3.Br/Stone	6.Piers	9.									
Basement	3 3/4 Basement										
1.1/4 Bmt	4.Full Bmt	7.									
2.1/2 Bmt	5.None	8.									
3.3/4 Bmt	6.	9.None									
Bsmt Gar # Cars	0										
Wet Basement	2 Damp Basement										
1.Dry	4.	7.									
2.Damp	5.	8.									
3.Wet	6.	9.									

Date Inspected 6/20/2019

Additions, Outbuildings & Improvements

Type	Year	Units	Grade	Cond	Phys.	Funct.	Sound Value
22 Encl Frame Porch	1950	210	2 105	4	0 %	85 %	
21 Open Frame	1950	217	2 105	4	0 %	100 %	
1 One Story Frame	1950	490	2 110	5	0 %	100 %	
24 Frame Shed	1930	576	2 105	3	0 %	90 %	
116 1.75 Story Barn	1900	2200	2 100	3	0 %	60 %	
24 Frame Shed	0				%	%	200
					%	%	
					%	%	
					%	%	
					%	%	
					%	%	



RIDEOUT, ALANNA J
RIDEOUT, DONALD W
2519 WASHBURN ROAD
WASHBURN ME 04786

B5705P1

Previous Owner
Hansen, Stephen
Hansen, Faye E.
97A Solman Street
Caribou ME 04736
Sale Date: 9/17/2013

Previous Owner
Newall, Lawrence
P.O. Box 875

Caribou ME 04736
Sale Date: 11/19/2007

Inspection Witnessed By:

X	Date
No./Date	Description
	Date Insp.

Notes:

Washburn

Property Data			Assessment Record				
Neighborhood 1 Neighborhood One			Year	Land	Buildings	Exempt	Total
Tree Growth Year 0			2012	6,500	24,700	8,800	22,400
1ST MORTGAGE 0			2013	8,500	24,700	0	33,200
2ND MORTGAGE 0			2015	8,500	24,700	9,000	24,200
Zone/Land Use 1 Residential			2018	8,500	100,100	18,400	90,200
Secondary Zone			2019	19,500	95,500	20,000	95,000
Topography 2 Rolling			2020	19,500	95,400	25,000	89,900
1.Level 4.Below St 7.LevelBog			2021	19,500	95,500	25,000	90,000
2.Rolling 5.Low 8.			2022	19,500	100,300	25,000	94,800
3.Above St 6.Swampy 9.			2023	25,000	119,400	25,000	119,400
Utilities 4 Drilled Well 6 Septic System			2024	25,000	119,400	25,000	119,400
1.Public 4.Dr Well 7.Cesspool							
2.Water 5.Dug Well 8.							
3.Sewer 6.Septic 9.None							
Street 1 Paved							
1.Paved 4.Proposed 7.							
2.Semi Imp 5.R/O/W 8.							
3.Gravel 6. 9.None							
TG PLAN YEAR 0							
Tif District # 0							
Sale Data							
Sale Date 9/23/2013							
Price							
Sale Type 2 Land & Buildings							
1.Land 4.Mobile 7.C/I L&B							
2.L & B 5.Other 8.							
3.Building 6.C/I Land 9.							
Financing 1 Conventional							
1.Convent 4.Seller 7.							
2.FHA/VA 5.Private 8.							
3.Assumed 6.Cash 9.Unknown							
Validity 1 Arms Length Sale							
1.Valid 4.Split 7.Renovate							
2.Related 5.Partial 8.Other							
3.Distress 6.Exempt 9.							
Verified 5 Public Record							
1.Buyer 4.Agent 7.Family							
2.Seller 5.Pub Rec 8.Other							
3.Lender 6.MLS 9.							

Land Data						
Front Foot	Type	Effective		Influence		Influence Codes
		Frontage	Depth	Factor	Code	
11.Regular Lot				%		1.Unimproved
12.Delta Triangle				%		2.Excess Frtg
13.Nabla Triangle				%		3.Topography
14.Rear Land				%		4.Size/Shape
15.Class I Road				%		5.Access
				%		6.Restriction
				%		7.Open Space
				%		8.View/Environ
				%		9.Fract Share
Square Foot		Square Feet				Acres
29		1,200		100 %	0	30.Utility R O W
				%		31.Tillable
				%		32.Pasture
				%		33.Orchard
				%		34.Softwood F&O
				%		35.Mixed Wood F&O
				%		36.Hardwood F&O
				%		37.Softwood TG
				%		38.Mixed Wood TG
				%		39.Hardwood TG
				%		40.Wasteland
				%		41.Open Space
				%		42.Mobile Home Si
				%		43.Condo Site
				%		44.Lot Improvemen
				%		45.Subdivision Lo
				%		46.Heavy Ind Sit
Total Acreage				1.00		


Washburn

Map Lot 009-012

Account 133

Location 2519 WASHBURN ROAD

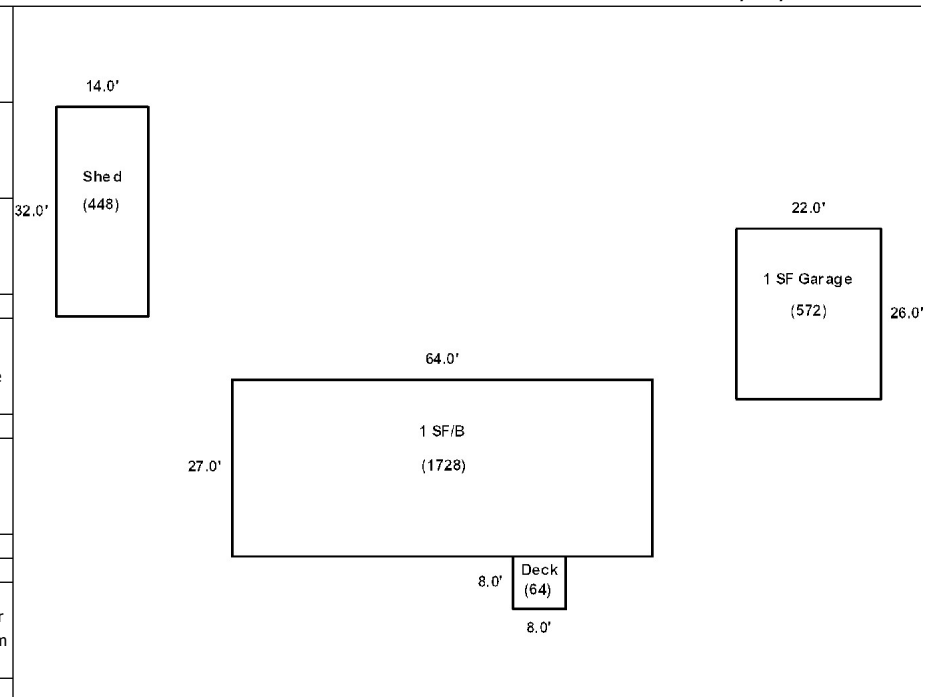
Card 1 Of 1 9/04/2024

Building Style	2 Ranch			SF Bsmt Living	0			Layout	1 Typical		
1.Conv.	5.Garrison	9.Gambrel		Fin Bsmt Grade	0 0			1.Typical	4.	7.	
2.Ranch	6.Salt Box	10.Other		OPEN 5 OPTIONAL	0			2.Inadeq	5.	8.	
3.R Ranch	7.Contemp	11.Split		Heat Type	100% 5 Forced Warm Air			3.Poor	6.	9.	
4.Cape	8.Log	12.		1.HWBB	5.FWA	9.No Heat	Attic	9 None			
Dwelling Units	1			2.HWCI	6.GravWA	10.	1.1/4 Fin	4.Full Fin	7.		
Other Units	0			3.H Pump	7.Electric	11.	2.1/2 Fin	5.FI/Stair	8.		
Stories	1 One Story			4.Steam	8.FI/Wall	12.	3.3/4 Fin	6.	9.None		
1.1	4.1.5	7.		Cool Type	100% 3 Heat Pump			Insulation	1 Full		
2.2	5.1.75	8.		1.Refrig	4.W&C Air	7.	1.Full	4.Minimal	7.		
3.3	6.2.5	9.		2.Evapor	5.	8.	2.Heavy	5.Partial	8.		
Exterior Walls	2 Vinyl/Aluminum			3.H Pump	6.	9.None	3.Capped	6.	9.None		
1.Wood	5.Stucco	9.T-111		Kitchen Style	2 Typical			Unfinished %	0%		
2.Vin/Al	6.Brick	10.Other		1.Modern	4.Obsolete	7.	Grade & Factor	3 Average 105%			
3.Compos.	7.Stone	11.		2.Typical	5.	8.	1.E Grade	4.B Grade	7.		
4.Asbestos	8.Concrete	12.		3.Old Type	6.	9.None	2.D Grade	5.A Grade	8.SC Grade		
Roof Surface	1 Asphalt Shingles			Bath(s) Style	2 Typical Bath(s)			3.C Grade	6.AA Grade	9.Same	
1.Asphalt	4.Composit	7.		1.Modern	4.Obsolete	7.	SQFT (Footprint) 1728				
2.Slate	5.Wood	8.		2.Typical	5.	8.	Condition	4 Average			
3.Metal	6.Other	9.		3.Old Type	6.	9.None	1.Poor	4.Avg	7.V G		
SF Masonry Trim	0			# Rooms	5			2.Fair	5.Avg+	8.Exc	
OPEN-3-CUSTOM	0			# Bedrooms	3			3.Avg-	6.Good	9.Same	
OPEN-4-CUSTOM	0			# Full Baths	2			Phys. % Good	0%		
Year Built	2017			# Half Baths	0			Funct. % Good	100%		
Year Remodeled	0			# Addn Fixtures	0			Functional Code	9 None		
Foundation	1 Concrete			# Fireplaces	0			1.Incomp	4.Delap	7.No Power	
1.Concrete	4.Wood	7.									
2.C Block	5.Slab	8.									
3.Br/Stone	6.Piers	9.									
Basement	2 1/2 Basement										
1.1/4 Bmt	4.Full Bmt	7.									
2.1/2 Bmt	5.None	8.									
3.3/4 Bmt	6.	9.None									
Bsmt Gar # Cars	0										
Wet Basement	1 Dry Basement										
1.Dry	4.	7.									
2.Damp	5.	8.									
3.Wet	6.	9.									

Date Inspected 11/15/2018

Additions, Outbuildings & Improvements

Type	Year	Units	Grade	Cond	Phys.	Funct.	Sound Value	
68 Wood Deck	2017	64	3 100	4	0 %	100 %		1.One Story Fram
24 Frame Shed	1980	448	2 110	4	0 %	100 %		2.Two Story Fram
23 Frame Garage	1975	572	2 115	4	0 %	100 %		3.Three Story Fr
					%	%		4.1 & 1/2 Story
					%	%		5.1 & 3/4 Story
					%	%		6.2 & 1/2 Story
					%	%		21.Open Frame Por
					%	%		22.Encl Frame Por
					%	%		23.Frame Garage
					%	%		24.Frame Shed
					%	%		25.Frame Bay Wind
					%	%		26.1SFr Overhang
					%	%		27.Unfin Basement
					%	%		28.Unfinished Att
					%	%		29.Finished Attic



Irving, Robert G
Irving, Mavis J
PO BOX 667
CARIBOU ME 04736

			Property Data			Assessment Record																																																																																																																																																																																																												
			Neighborhood	1 Neighborhood One		Year	Land	Buildings	Exempt	Total																																																																																																																																																																																																								
			Tree Growth Year		0	2012	178,700	0	0	178,700																																																																																																																																																																																																								
			1ST MORTGAGE		0	2013	232,300	0	0	232,300																																																																																																																																																																																																								
			2ND MORTGAGE		0	2015	232,300	0	0	232,300																																																																																																																																																																																																								
			Zone/Land Use		1 Residential			2018	232,300	0	0	232,300																																																																																																																																																																																																						
			Secondary Zone			2019	390,600	0	0	390,600																																																																																																																																																																																																								
			Topography		1 Level			2020	390,600	0	0	390,600																																																																																																																																																																																																						
			1.Level		4.Below St	7.LevelBog	2021	390,600	0	0	390,600																																																																																																																																																																																																							
			2.Rolling		5.Low	8.	2022	390,600	0	0	390,600																																																																																																																																																																																																							
			3.Above St		6.Swampy	9.	2023	426,600	0	0	426,600																																																																																																																																																																																																							
			Utilities				2024	426,600	0	0	426,600																																																																																																																																																																																																							
			1.Public		4.Dr Well	7.Cesspool																																																																																																																																																																																																												
			2.Water		5.Dug Well	8.																																																																																																																																																																																																												
			3.Sewer		6.Septic	9.None																																																																																																																																																																																																												
			Street		1 Paved																																																																																																																																																																																																													
			1.Paved		4.Proposed	7.	Land Data																																																																																																																																																																																																											
			2.Semi Imp		5.R/O/W	8.																																																																																																																																																																																																												
			3.Gravel		6.	9.None	<table border="1"> <thead> <tr> <th rowspan="2">Front Foot</th> <th rowspan="2">Type</th> <th colspan="2">Effective</th> <th colspan="2">Influence</th> <th rowspan="2">Influence Codes</th> </tr> <tr> <th>Frontage</th> <th>Depth</th> <th>Factor</th> <th>Code</th> </tr> </thead> <tbody> <tr><td>11.Regular Lot</td><td></td><td></td><td></td><td>%</td><td></td><td>1.Unimproved</td></tr> <tr><td>12.Delta Triangle</td><td></td><td></td><td></td><td>%</td><td></td><td>2.Excess Frtg</td></tr> <tr><td>13.Nabla Triangle</td><td></td><td></td><td></td><td>%</td><td></td><td>3.Topography</td></tr> <tr><td>14.Rear Land</td><td></td><td></td><td></td><td>%</td><td></td><td>4.Size/Shape</td></tr> <tr><td>15.Class I Road</td><td></td><td></td><td></td><td>%</td><td></td><td>5.Access</td></tr> <tr><td></td><td></td><td></td><td></td><td>%</td><td></td><td>6.Restriction</td></tr> <tr><td></td><td></td><td></td><td></td><td>%</td><td></td><td>7.Open Space</td></tr> <tr><td></td><td></td><td></td><td></td><td>%</td><td></td><td>8.View/Environ</td></tr> <tr><td></td><td></td><td></td><td></td><td>%</td><td></td><td>9.Fract Share</td></tr> <tr><td></td><td></td><td></td><td></td><td>%</td><td></td><td>Acres</td></tr> <tr><td></td><td></td><td></td><td></td><td>%</td><td></td><td>30.Utility R O W</td></tr> <tr><td></td><td></td><td></td><td></td><td>%</td><td></td><td>31.Tillable</td></tr> <tr><td></td><td></td><td></td><td></td><td>%</td><td></td><td>32.Pasture</td></tr> <tr><td></td><td></td><td></td><td></td><td>%</td><td></td><td>33.Orchard</td></tr> <tr><td></td><td></td><td></td><td></td><td>%</td><td></td><td>34.Softwood F&O</td></tr> <tr><td></td><td></td><td></td><td></td><td>%</td><td></td><td>35.Mixed Wood F&O</td></tr> <tr><td></td><td></td><td></td><td></td><td>%</td><td></td><td>36.Hardwood F&O</td></tr> <tr><td></td><td></td><td></td><td></td><td>%</td><td></td><td>37.Softwood TG</td></tr> <tr><td></td><td></td><td></td><td></td><td>%</td><td></td><td>38.Mixed Wood TG</td></tr> <tr><td></td><td></td><td></td><td></td><td>%</td><td></td><td>39.Hardwood TG</td></tr> <tr><td></td><td></td><td></td><td></td><td>%</td><td></td><td>40.Wasteland</td></tr> <tr><td></td><td></td><td></td><td></td><td>%</td><td></td><td>41.Open Space</td></tr> <tr><td></td><td></td><td></td><td></td><td>%</td><td></td><td>42.Mobile Home Si</td></tr> <tr><td></td><td></td><td></td><td></td><td>%</td><td></td><td>43.Condo Site</td></tr> <tr><td></td><td></td><td></td><td></td><td>%</td><td></td><td>44.Lot Improvemen</td></tr> <tr><td></td><td></td><td></td><td></td><td>%</td><td></td><td>45.Subdivision Lo</td></tr> <tr><td></td><td></td><td></td><td></td><td>%</td><td></td><td>46.Heavy Ind Sit</td></tr> </tbody> </table>				Front Foot	Type	Effective		Influence		Influence Codes	Frontage	Depth	Factor	Code	11.Regular Lot				%		1.Unimproved	12.Delta Triangle				%		2.Excess Frtg	13.Nabla Triangle				%		3.Topography	14.Rear Land				%		4.Size/Shape	15.Class I Road				%		5.Access					%		6.Restriction					%		7.Open Space					%		8.View/Environ					%		9.Fract Share					%		Acres					%		30.Utility R O W					%		31.Tillable					%		32.Pasture					%		33.Orchard					%		34.Softwood F&O					%		35.Mixed Wood F&O					%		36.Hardwood F&O					%		37.Softwood TG					%		38.Mixed Wood TG					%		39.Hardwood TG					%		40.Wasteland					%		41.Open Space					%		42.Mobile Home Si					%		43.Condo Site					%		44.Lot Improvemen					%		45.Subdivision Lo					%		46.Heavy Ind Sit
			Front Foot	Type	Effective								Influence		Influence Codes																																																																																																																																																																																																			
Frontage	Depth	Factor			Code																																																																																																																																																																																																													
11.Regular Lot				%		1.Unimproved																																																																																																																																																																																																												
12.Delta Triangle				%		2.Excess Frtg																																																																																																																																																																																																												
13.Nabla Triangle				%		3.Topography																																																																																																																																																																																																												
14.Rear Land				%		4.Size/Shape																																																																																																																																																																																																												
15.Class I Road				%		5.Access																																																																																																																																																																																																												
				%		6.Restriction																																																																																																																																																																																																												
				%		7.Open Space																																																																																																																																																																																																												
				%		8.View/Environ																																																																																																																																																																																																												
				%		9.Fract Share																																																																																																																																																																																																												
				%		Acres																																																																																																																																																																																																												
				%		30.Utility R O W																																																																																																																																																																																																												
				%		31.Tillable																																																																																																																																																																																																												
				%		32.Pasture																																																																																																																																																																																																												
				%		33.Orchard																																																																																																																																																																																																												
				%		34.Softwood F&O																																																																																																																																																																																																												
				%		35.Mixed Wood F&O																																																																																																																																																																																																												
				%		36.Hardwood F&O																																																																																																																																																																																																												
				%		37.Softwood TG																																																																																																																																																																																																												
				%		38.Mixed Wood TG																																																																																																																																																																																																												
				%		39.Hardwood TG																																																																																																																																																																																																												
				%		40.Wasteland																																																																																																																																																																																																												
				%		41.Open Space																																																																																																																																																																																																												
				%		42.Mobile Home Si																																																																																																																																																																																																												
				%		43.Condo Site																																																																																																																																																																																																												
				%		44.Lot Improvemen																																																																																																																																																																																																												
				%		45.Subdivision Lo																																																																																																																																																																																																												
				%		46.Heavy Ind Sit																																																																																																																																																																																																												
			TG PLAN YEAR		0																																																																																																																																																																																																													
			Tif District #		0																																																																																																																																																																																																													
			Sale Data																																																																																																																																																																																																															
			Sale Date																																																																																																																																																																																																															
			Price																																																																																																																																																																																																															
			Sale Type		1 Land Only																																																																																																																																																																																																													
			1.Land		4.Mobile	7.C/I L&B																																																																																																																																																																																																												
			2.L & B		5.Other	8.																																																																																																																																																																																																												
			3.Building		6.C/I Land	9.																																																																																																																																																																																																												
			Financing																																																																																																																																																																																																															
			1.Convent		4.Seller	7.																																																																																																																																																																																																												
			2.FHA/VA		5.Private	8.																																																																																																																																																																																																												
			3.Assumed		6.Cash	9.Unknown																																																																																																																																																																																																												
			Validity																																																																																																																																																																																																															
			1.Valid		4.Split	7.Renovate																																																																																																																																																																																																												
			2.Related		5.Partial	8.Other																																																																																																																																																																																																												
			3.Distress		6.Exempt	9.																																																																																																																																																																																																												
			Verified																																																																																																																																																																																																															
			1.Buyer		4.Agent	7.Family																																																																																																																																																																																																												
			2.Seller		5.Pub Rec	8.Other																																																																																																																																																																																																												
			3.Lender		6.MLS	9.																																																																																																																																																																																																												
			21.Developed Pave			28	449.26	100	%	0	Total Acreage 615.26																																																																																																																																																																																																							
			22.Undev Paved (F			31	166.00	100	%	0																																																																																																																																																																																																								
			23.Developed Grav																																																																																																																																																																																																															
			Acres																																																																																																																																																																																																															
			24.Undev Gravel (
			25.Comm Base Pave																																																																																																																																																																																																															
			26.Comm Base Grav																																																																																																																																																																																																															
			27.Backlot																																																																																																																																																																																																															
			28.Rear Land																																																																																																																																																																																																															
			29.Pavement																																																																																																																																																																																																															

Inspection Witnessed By:

No./Date	Description	Date Insp.
X		

Notes:

Washburn

Map Lot 009-013

Account 535

Location Washburn Road

Card 1 Of 1 9/04/2024

Building Style 0	SF Bsmt Living 0	Layout 0
1.Conv. 5.Garrison 9.Gambrel	Fin Bsmt Grade 0 0	1.Typical 4. 7.
2.Ranch 6.Salt Box 10.Other	OPEN 5 OPTIONAL 0	2.Inadeq 5. 8.
3.R Ranch 7.Contemp 11.Split	Heat Type 100% 0	3.Poor 6. 9.
4.Cape 8.Log 12.	1.HWBB 5.FWA 9.No Heat	Attic 0
Dwelling Units 0	2.HWCI 6.GravWA 10.	1.1/4 Fin 4.Full Fin 7.
Other Units 0	3.H Pump 7.Electric 11.	2.1/2 Fin 5.FI/Stair 8.
Stories 0	4.Steam 8.FI/Wall 12.	3.3/4 Fin 6. 9.None
1.1 4.1.5 7.	Cool Type 0% 9 None	Insulation 0
2.2 5.1.75 8.	1.Refrig 4.W&C Air 7.	1.Full 4.Minimal 7.
3.3 6.2.5 9.	2.Evapor 5. 8.	2.Heavy 5.Partial 8.
Exterior Walls 0	3.H Pump 6. 9.None	3.Capped 6. 9.None
1.Wood 5.Stucco 9.T-111	Kitchen Style 0	Unfinished % 0%
2.Vin/Al 6.Brick 10.Other	1.Modern 4.Obsolete 7.	Grade & Factor 0 0%
3.Compos. 7.Stone 11.	2.Typical 5. 8.	1.E Grade 4.B Grade 7.
4.Asbestos 8.Concrete 12.	3.Old Type 6. 9.None	2.D Grade 5.A Grade 8.SC Grade
Roof Surface 0	Bath(s) Style 0	3.C Grade 6.AA Grade 9.Same
1.Asphalt 4.Composit 7.	1.Modern 4.Obsolete 7.	SQFT (Footprint) 0
2.Slate 5.Wood 8.	2.Typical 5. 8.	Condition 0
3.Metal 6.Other 9.	3.Old Type 6. 9.None	1.Poor 4.Avg 7.V G
SF Masonry Trim 0	# Rooms 0	2.Fair 5.Avg+ 8.Exc
OPEN-3-CUSTOM 0	# Bedrooms 0	3.Avg- 6.Good 9.Same
OPEN-4-CUSTOM 0	# Full Baths 0	Phys. % Good 0%
Year Built 0	# Half Baths 0	Funct. % Good 100%
Year Remodeled 0	# Addn Fixtures 0	Functional Code 9 None
Foundation 0	# Fireplaces 0	1.Incomp 4.Delap 7.No Power
1.Concrete 4.Wood 7.	 <p>TRIO Software A Division of Harris Computer Systems</p>	2.O-Built 5.Bsmt 8.LongTerm
2.C Block 5.Slab 8.		3.Damage 6.Common 9.None
3.Br/Stone 6.Piers 9.		Econ. % Good 100%
Basement 0		Economic Code None
1.1/4 Bmt 4.Full Bmt 7.		0.None 3.No Power 7.
2.1/2 Bmt 5.None 8.		1.Location 4.Generate 8.
3.3/4 Bmt 6. 9.None		2.Encroach 9.None 9.
Bsmt Gar # Cars 0		Entrance Code 0
Wet Basement 0		1.Interior 4.Vacant 7.
1.Dry 4. 7.		2.Refusal 5.Estimate 8.
2.Damp 5. 8.	3.Informed 6.Reviewed 9.	
3.Wet 6. 9.	Information Code 0	
		1.Owner 4.Agent 7.
		2.Relative 5.Estimate 8.
		3.Tenant 6.Other 9.

Date Inspected

Additions, Outbuildings & Improvements							
Type	Year	Units	Grade	Cond	Phys.	Funct.	Sound Value
					%	%	1.One Story Fram
					%	%	2.Two Story Fram
					%	%	3.Three Story Fr
					%	%	4.1 & 1/2 Story
					%	%	5.1 & 3/4 Story
					%	%	6.2 & 1/2 Story
					%	%	21.Open Frame Por
					%	%	22.Encl Frame Por
					%	%	23.Frame Garage
					%	%	24.Frame Shed
					%	%	25.Frame Bay Wind
					%	%	26.1SFr Overhang
					%	%	27.Unfin Basement
					%	%	28.Unfinished Att
					%	%	29.Finished Attic

Washburn

Map Lot 009-013A

Account 533

Location 2439 WASHBURN ROAD

Card 1

Of 1

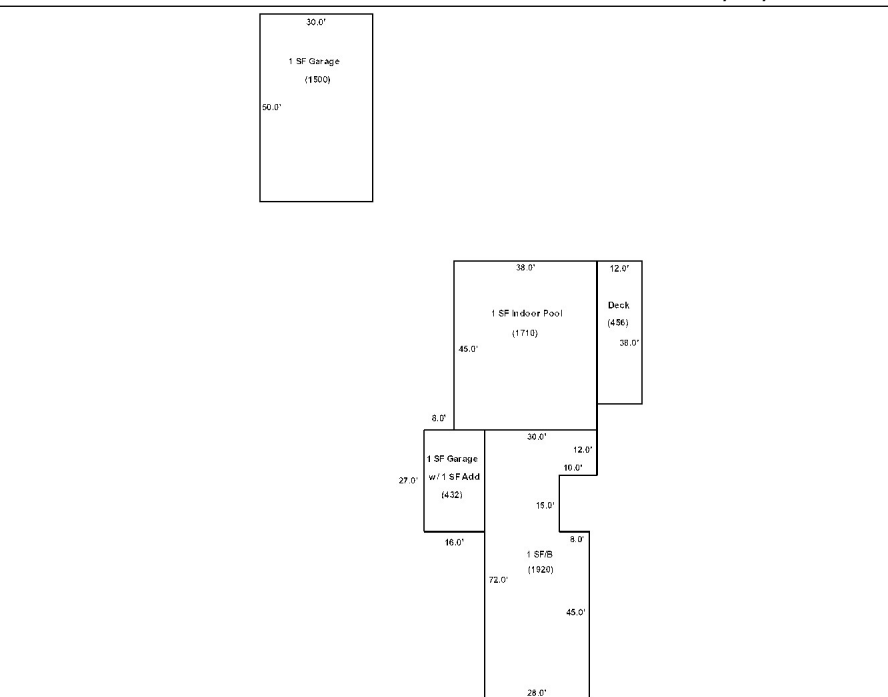
9/04/2024

Building Style	1 Conventional			SF Bsmt Living	480			Layout	1 Typical			
1.Conv.	5.Garrison	9.Gambrel		Fin Bsmt Grade	3 100			1.Typical	4.	7.		
2.Ranch	6.Salt Box	10.Other		OPEN 5 OPTIONAL	0			2.Inadeq	5.	8.		
3.R Ranch	7.Contemp	11.Split		Heat Type	100% 5 Forced Warm Air			3.Poor	6.	9.		
4.Cape	8.Log	12.		1.HWBB	5.FWA	9.No Heat	Attic	9 None				
Dwelling Units	1			2.HWCI	6.GravWA	10.	1.1/4 Fin	4.Full Fin	7.			
Other Units	0			3.H Pump	7.Electric	11.	2.1/2 Fin	5.F/ Stair	8.			
Stories	1 One Story			4.Steam	8.F/ Wall	12.	3.3/4 Fin	6.	9.None			
1.1	4.1.5	7.		Cool Type	0% 9 None			Insulation	1 Full			
2.2	5.1.75	8.		1.Refrig	4.W&C Air	7.	1.Full	4.Minimal	7.			
3.3	6.2.5	9.		2.Evapor	5.	8.	2.Heavy	5.Partial	8.			
Exterior Walls	2 Vinyl/Aluminum			3.H Pump	6.	9.None	3.Capped	6.	9.None			
1.Wood	5.Stucco	9.T-111		Kitchen Style	2 Typical			Unfinished %	0%			
2.Vin/Al	6.Brick	10.Other		1.Modern	4.Obsolete	7.	Grade & Factor	3 Average 100%				
3.Compos.	7.Stone	11.		2.Typical	5.	8.	1.E Grade	4.B Grade	7.			
4.Asbestos	8.Concrete	12.		3.Old Type	6.	9.None	2.D Grade	5.A Grade	8.SC Grade			
Roof Surface	3 Sheet Metal			Bath(s) Style	2 Typical Bath(s)			3.C Grade	6.AA Grade	9.Same		
1.Asphalt	4.Composit	7.		1.Modern	4.Obsolete	7.	SQFT (Footprint)	1920				
2.Slate	5.Wood	8.		2.Typical	5.	8.	Condition	5 Above Average				
3.Metal	6.Other	9.		3.Old Type	6.	9.None	1.Poor	4.Avg	7.V G			
SF Masonry Trim	0			# Rooms	8			2.Fair	5.Avg+	8.Exc		
OPEN-3-CUSTOM	0			# Bedrooms	3			3.Avg-	6.Good	9.Same		
OPEN-4-CUSTOM	0			# Full Baths	2			Phys. % Good	0%			
Year Built	1952			# Half Baths	1			Funct. % Good	100%			
Year Remodeled	0			# Addn Fixtures	0			Functional Code	9 None			
Foundation	1 Concrete			# Fireplaces	1			1.Incomp	4.Delap	7.No Power		
1.Concrete	4.Wood	7.		 <p>TRIO Software <small>A Division of Harris Computer Systems</small></p>	2.O-Built	5.Bsmt	8.LongTerm	Econ. % Good	100%			
2.C Block	5.Slab	8.			3.Damage	6.Common	9.None	Economic Code	None			
3.Br/Stone	6.Piers	9.			0.None	3.No Power	7.	0.None	3.No Power	7.		
Basement	4 Full Basement				1.Location	4.Generate	8.	1.Location	4.Generate	8.		
1.1/4 Bmt	4.Full Bmt	7.			2.Encroach	9.None	9.	2.Encroach	9.None	9.		
2.1/2 Bmt	5.None	8.			Entrance Code	1 Interior Inspect			Entrance Code	1 Interior Inspect		
3.3/4 Bmt	6.	9.None			1.Interior	4.Vacant	7.	1.Interior	4.Vacant	7.		
Bsmt Gar # Cars	0				2.Refusal	5.Estimate	8.	2.Refusal	5.Estimate	8.		
Wet Basement	1 Dry Basement				3.Informed	6.Reviewed	9.	3.Informed	6.Reviewed	9.		
1.Dry	4.	7.			Information Code	1 Owner			Information Code	1 Owner		
2.Damp	5.	8.		1.Owner	4.Agent	7.	1.Owner	4.Agent	7.			
3.Wet	6.	9.		2.Relative	5.Estimate	8.	2.Relative	5.Estimate	8.			
				3.Tenant	6.Other	9.	3.Tenant	6.Other	9.			

Date Inspected 11/15/2018

Additions, Outbuildings & Improvements

Type	Year	Units	Grade	Cond	Phys.	Funct.	Sound Value
77 1S-Ad/Gar	1952	432	3 100	5	0 %	100 %	
1 One Story Frame	1989	1710	3 100	5	0 %	100 %	
68 Wood Deck	1990	456	3 100	4	0 %	100 %	
23 Frame Garage	1950	1500	3 100	4	0 %	85 %	
					%	%	
					%	%	
					%	%	
					%	%	
					%	%	
					%	%	
					%	%	
					%	%	



IRVING FARMS INC
PO BOX 667
WASHBURN ME 04786

B4148P95 B4148P95

Inspection Witnessed By:

No./Date	Description	Date Insp.
X		

Notes:
*2-18-2019 -15% for size obs on potatoe house, -20% for attached garage.

Washburn

Property Data			Assessment Record						
Neighborhood 1 Neighborhood One			Year	Land	Buildings	Exempt	Total		
Tree Growth Year 0			2012	7,000	51,700	0	58,700		
1ST MORTGAGE 0			2013	9,200	51,700	0	60,900		
2ND MORTGAGE 0			2015	9,200	51,700	0	60,900		
Zone/Land Use 1 Residential			2018	9,200	51,700	0	60,900		
Secondary Zone			2019	17,000	96,100	0	113,100		
Topography 2 Rolling			2020	17,000	96,000	0	113,000		
1.Level 4.Below St 7.LevelBog			2022	17,000	100,900	0	117,900		
2.Rolling 5.Low 8.			2023	22,600	120,100	0	142,700		
3.Above St 6.Swampy 9.			2024	22,600	61,500	0	84,100		
Utilities 4 Drilled Well 6 Septic System									
1.Public 4.Dr Well 7.Cesspool									
2.Water 5.Dug Well 8.									
3.Sewer 6.Septic 9.None									
Street 1 Paved									
1.Paved 4.Proposed 7.									
2.Semi Imp 5.R/O/W 8.									
3.Gravel 6. 9.None									
TG PLAN YEAR 0									
Tif District # 0									
Sale Data			Land Data						
Sale Date 6/30/2005			Front Foot	Type	Effective		Influence		Influence Codes
Price					Frontage	Depth	Factor	Code	
Sale Type 2 Land & Buildings			11.Regular Lot					1.Unimproved	
1.Land 4.Mobile 7.C/I L&B			12.Delta Triangle			%		2.Excess Frtg	
2.L & B 5.Other 8.			13.Nabla Triangle			%		3.Topography	
3.Building 6.C/I Land 9.			14.Rear Land			%		4.Size/Shape	
Financing			15.Class I Road			%		5.Access	
1.Convent 4.Seller 7.						%		6.Restriction	
2.FHA/VA 5.Private 8.						%		7.Open Space	
3.Assumed 6.Cash 9.Unknown						%		8.View/Environ	
Validity 2 Related Parties			Square Foot	Square Feet				9.Fract Share	
1.Valid 4.Split 7.Renovate			16.Class II Road			%		30.Utility R O W	
2.Related 5.Partial 8.Other			17.Municipal Rese			%		31.Tillable	
3.Distress 6.Exempt 9.			18.Munic Sep Lago			%		32.Pasture	
Verified 5 Public Record			19.Gravel Pit			%		33.Orchard	
1.Buyer 4.Agent 7.Family			20.Industrial Bas			%		34.Softwood F&O	
2.Seller 5.Pub Rec 8.Other			Fract. Acre	Acreege/Sites				35.Mixed Wood F&O	
3.Lender 6.MLS 9.			21.Developed Pave	21	1.00	100	% 0	36.Hardwood F&O	
			22.Undev Paved (F	28	1.09	100	% 0	37.Softwood TG	
			23.Developed Grav				%	38.Mixed Wood TG	
			Acres				%	39.Hardwood TG	
			24.Undev Gravel (%	40.Wasteland	
			25.Comm Base Pave				%	41.Open Space	
			26.Comm Base Grav				%	42.Mobile Home Si	
			27.Backlot				%	43.Condo Site	
			28.Rear Land				%	44.Lot Improvemen	
			29.Pavement				%	45.Subdivision Lo	
			Total Acreege		2.09			46.Heavy Ind Sit	

Washburn

Map Lot 009-014


Account 291

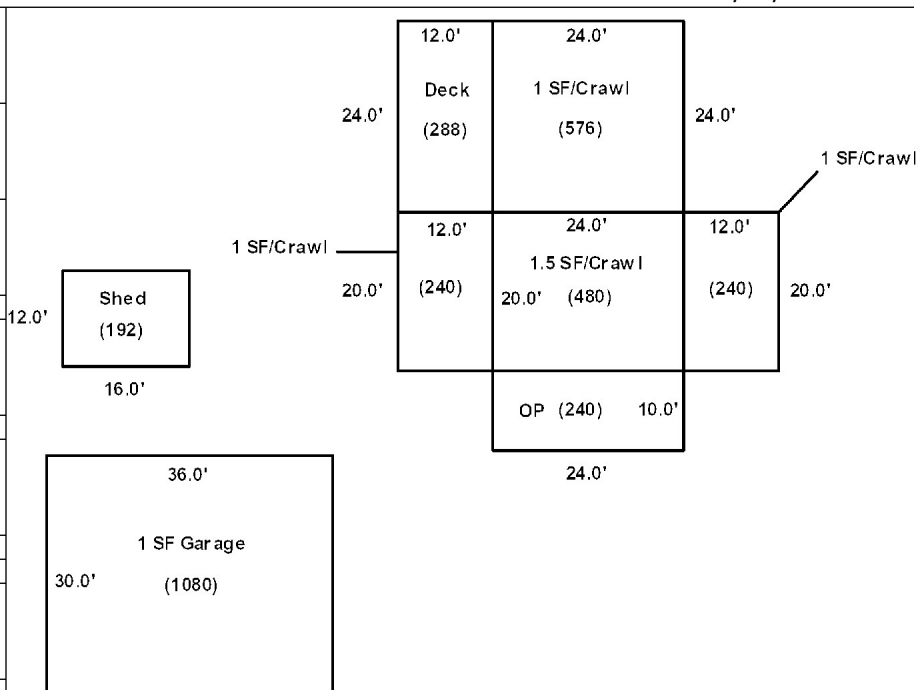
Location 2319 WASHBURN ROAD

Card 1

Of 1

9/04/2024

Building Style 4 Cape Cod	SF Bsmt Living 0	Layout 1 Typical
1.Conv. 5.Garrison 9.Gambrel	Fin Bsmt Grade 0 0	1.Typical 4. 7.
2.Ranch 6.Salt Box 10.Other	OPEN 5 OPTIONAL 0	2.Inadeq 5. 8.
3.R Ranch 7.Contemp 11.Split	Heat Type 100% 1 Hot Water BB	3.Poor 6. 9.
4.Cape 8.Log 12.	1.HWBB 5.FWA 9.No Heat	Attic 9 None
Dwelling Units 1	2.HWCI 6.GravWA 10.	1.1/4 Fin 4.Full Fin 7.
Other Units 0	3.H Pump 7.Electric 11.	2.1/2 Fin 5.F/ Stair 8.
Stories 4 One & 1/2 Story	4.Steam 8.F/ Wall 12.	3.3/4 Fin 6. 9.None
1.1 4.1.5 7.	Cool Type 0% 9 None	Insulation 1 Full
2.2 5.1.75 8.	1.Refrig 4.W&C Air 7.	1.Full 4.Minimal 7.
3.3 6.2.5 9.	2.Evapor 5. 8.	2.Heavy 5.Partial 8.
Exterior Walls 2 Vinyl/Aluminum	3.H Pump 6. 9.None	3.Capped 6. 9.None
1.Wood 5.Stucco 9.T-111	Kitchen Style 2 Typical	Unfinished % 0%
2.Vin/Al 6.Brick 10.Other	1.Modern 4.Obsolete 7.	Grade & Factor 3 Average 90%
3.Compos. 7.Stone 11.	2.Typical 5. 8.	1.E Grade 4.B Grade 7.
4.Asbestos 8.Concrete 12.	3.Old Type 6. 9.None	2.D Grade 5.A Grade 8.SC Grade
Roof Surface 1 Asphalt Shingles	Bath(s) Style 2 Typical Bath(s)	3.C Grade 6.AA Grade 9.Same
1.Asphalt 4.Composit 7.	1.Modern 4.Obsolete 7.	SQFT (Footprint) 480
2.Slate 5.Wood 8.	2.Typical 5. 8.	Condition 4 Average
3.Metal 6.Other 9.	3.Old Type 6. 9.None	1.Poor 4.Avg 7.V G
SF Masonry Trim 0	# Rooms 6	2.Fair 5.Avg+ 8.Exc
OPEN-3-CUSTOM 0	# Bedrooms 4	3.Avg- 6.Good 9.Same
OPEN-4-CUSTOM 0	# Full Baths 2	Phys. % Good 0%
Year Built 1980	# Half Baths 0	Funct. % Good 100%
Year Remodeled 0	# Addn Fixtures 0	Functional Code 9 None
Foundation 1 Concrete	# Fireplaces 0	1.Incomp 4.Delap 7.No Power
1.Concrete 4.Wood 7.	 <p>TRIO Software <small>A Division of Harris Computer Systems</small></p>	2.O-Built 5.Bsmt 8.LongTerm
2.C Block 5.Slab 8.		3.Damage 6.Common 9.None
3.Br/Stone 6.Piers 9.		Econ. % Good 100%
Basement 5 Crawl Space		Economic Code None
1.1/4 Bmt 4.Full Bmt 7.		0.None 3.No Power 7.
2.1/2 Bmt 5.None 8.		1.Location 4.Generate 8.
3.3/4 Bmt 6. 9.None		2.Encroach 9.None 9.
Bsmt Gar # Cars 0		Entrance Code 1 Interior Inspect
Wet Basement 1 Dry Basement		1.Interior 4.Vacant 7.
1.Dry 4. 7.		2.Refusal 5.Estimate 8.
2.Damp 5. 8.	3.Informed 6.Reviewed 9.	
3.Wet 6. 9.	Information Code 1 Owner	
	1.Owner 4.Agent 7.	
	2.Relative 5.Estimate 8.	
	3.Tenant 6.Other 9.	



Date Inspected 11/14/2018

Additions, Outbuildings & Improvements

Type	Year	Units	Grade	Cond	Phys.	Funct.	Sound Value
21 Open Frame	1980	240	3 90	4	0 %	100 %	
1 One Story Frame	1980	240	9 100	9	0 %	100 %	
1 One Story Frame	1980	240	9 100	9	0 %	100 %	
68 Wood Deck	2000	288	2 105	4	0 %	100 %	
1 One Story Frame	1980	576	9 100	9	0 %	100 %	
23 Frame Garage	2011	1080	3 100	4	0 %	100 %	
24 Frame Shed	2000	192	2 105	4	0 %	100 %	
					%	%	
					%	%	
					%	%	



CROPLEY, GREGORY M JR
CROPLEY, JOY L
2327 WASHBURN ROAD
WASHBURN ME 04786

B5038P272 B5038P274 B5533P215

Previous Owner
Cropley, Gregory M. Sr.
Cropley, Tammy
2319 Washburn Road
Washburn ME 04786
Sale Date: 7/05/2011

Inspection Witnessed By:

X	Date
No./Date	Description
	Date Insp.

Notes:
*2-18-2019 -15% for size obs on garage.
** 2nd level deck never added and corrected for 04/01/2024
GSR...Permit for large new deck not constructed check 2025

Washburn

Property Data			Assessment Record						
Neighborhood 1 Neighborhood One			Year	Land	Buildings	Exempt	Total		
Tree Growth Year 0			2012	8,200	88,700	8,800	88,100		
1ST MORTGAGE 0			2013	10,700	89,900	8,800	91,800		
2ND MORTGAGE 0			2015	10,700	89,900	9,000	91,600		
Zone/Land Use 1 Residential			2018	10,700	132,300	18,400	124,600		
Secondary Zone			2019	25,700	173,200	20,000	178,900		
Topography 1 Level			2020	25,700	171,400	25,000	172,100		
1.Level 4.Below St 7.LevelBog			2021	25,700	173,200	25,000	173,900		
2.Rolling 5.Low 8.			2022	25,700	181,800	25,000	182,500		
3.Above St 6.Swampy 9.			2023	31,500	216,300	25,000	222,800		
Utilities 4 Drilled Well 6 Septic System			2024	31,500	217,000	25,000	223,500		
1.Public 4.Dr Well 7.Cesspool									
2.Water 5.Dug Well 8.									
3.Sewer 6.Septic 9.None									
Street 1 Paved									
1.Paved 4.Proposed 7.									
2.Semi Imp 5.R/O/W 8.									
3.Gravel 6. 9.None									
TG PLAN YEAR 0									
Tif District # 0									
Sale Data			Land Data						
Sale Date 7/05/2011			Front Foot	Type	Effective		Influence		Influence Codes
Price					Frontage	Depth	Factor	Code	
Sale Type 2 Land & Buildings			11.Regular Lot					1.Unimproved	
1.Land 4.Mobile 7.C/I L&B			12.Delta Triangle			%		2.Excess Frtg	
2.L & B 5.Other 8.			13.Nabla Triangle			%		3.Topography	
3.Building 6.C/I Land 9.			14.Rear Land			%		4.Size/Shape	
Financing 1 Conventional			15.Class I Road			%		5.Access	
1.Convent 4.Seller 7.						%		6.Restriction	
2.FHA/VA 5.Private 8.						%		7.Open Space	
3.Assumed 6.Cash 9.Unknown						%		8.View/Environ	
Validity 2 Related Parties						%		9.Fract Share	
1.Valid 4.Split 7.Renovate			Square Foot	Square Feet				Acres	
2.Related 5.Partial 8.Other			16.Class II Road	29	3,000	100	%	0	
3.Distress 6.Exempt 9.			17.Municipal Rese				%		
Verified 5 Public Record			18.Munic Sep Lago				%		
1.Buyer 4.Agent 7.Family			19.Gravel Pit				%		
2.Seller 5.Pub Rec 8.Other			20.Industrial Bas				%		
3.Lender 6.MLS 9.			Fract. Acre	Acreege/Sites					
			21.Developed Pave	21	1.00	100	%	0	
			22.Undev Paved (F	28	3.40	100	%	0	
			23.Developed Grav				%		
			Acres				%		
			24.Undev Gravel (%		
			25.Comm Base Pave				%		
			26.Comm Base Grav				%		
			27.Backlot				%		
			28.Rear Land				%		
			29.Pavement				%		
			Total Acreage		4.40				
								30.Utility R O W	
								31.Tillable	
								32.Pasture	
								33.Orchard	
								34.Softwood F&O	
								35.Mixed Wood F&O	
								36.Hardwood F&O	
								37.Softwood TG	
								38.Mixed Wood TG	
								39.Hardwood TG	
								40.Wasteland	
								41.Open Space	
								42.Mobile Home Si	
								43.Condo Site	
								44.Lot Improvemen	
								45.Subdivision Lo	
								46.Heavy Ind Sit	

Washburn

Map Lot 009-014A


Account 1096

Location 2327 WASHBURN ROAD

Card 1

Of 1

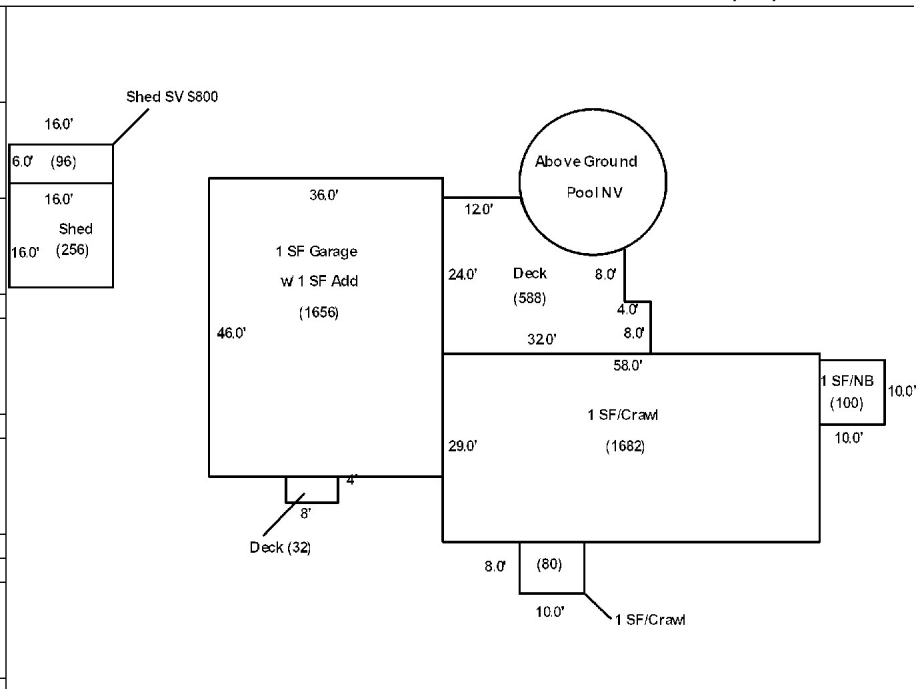
9/04/2024

Building Style 2 Ranch	SF Bsmt Living 0	Layout 1 Typical
1.Conv. 5.Garrison 9.Gambrel	Fin Bsmt Grade 0 0	1.Typical 4. 7.
2.Ranch 6.Salt Box 10.Other	OPEN 5 OPTIONAL 0	2.Inadeq 5. 8.
3.R Ranch 7.Contemp 11.Split	Heat Type 100% 1 Hot Water BB	3.Pool 6. 9.
4.Cape 8.Log 12.	1.HWBB 5.FWA 9.No Heat	Attic 9 None
Dwelling Units 1	2.HWCI 6.GravWA 10.	1.1/4 Fin 4.Full Fin 7.
Other Units 0	3.H Pump 7.Electric 11.	2.1/2 Fin 5.FI/Stair 8.
Stories 1 One Story	4.Steam 8.FI/Wall 12.	3.3/4 Fin 6. 9.None
1.1 4.1.5 7.	Cool Type 100% 3 Heat Pump	Insulation 1 Full
2.2 5.1.75 8.	1.Refrig 4.W&C Air 7.	1.Full 4.Minimal 7.
3.3 6.2.5 9.	2.Evapor 5. 8.	2.Heavy 5.Partial 8.
Exterior Walls 2 Vinyl/Aluminum	3.H Pump 6. 9.None	3.Capped 6. 9.None
1.Wood 5.Stucco 9.T-111	Kitchen Style 2 Typical	Unfinished % 0%
2.Vin/Al 6.Brick 10.Other	1.Modern 4.Obsolete 7.	Grade & Factor 3 Average 110%
3.Compos. 7.Stone 11.	2.Typical 5. 8.	1.E Grade 4.B Grade 7.
4.Asbestos 8.Concrete 12.	3.Old Type 6. 9.None	2.D Grade 5.A Grade 8.SC Grade
Roof Surface 1 Asphalt Shingles	Bath(s) Style 2 Typical Bath(s)	3.C Grade 6.AA Grade 9.Same
1.Asphalt 4.Composit 7.	1.Modern 4.Obsolete 7.	SQFT (Footprint) 1682
2.Slate 5.Wood 8.	2.Typical 5. 8.	Condition 4 Average
3.Metal 6.Other 9.	3.Old Type 6. 9.None	1.Poor 4.Avg 7.V G
SF Masonry Trim 0	# Rooms 8	2.Fair 5.Avg+ 8.Exc
OPEN-3-CUSTOM 0	# Bedrooms 4	3.Avg- 6.Good 9.Same
OPEN-4-CUSTOM 0	# Full Baths 3	Phys. % Good 0%
Year Built 2011	# Half Baths 0	Funct. % Good 100%
Year Remodeled 0	# Addn Fixtures 0	Functional Code 9 None
Foundation 1 Concrete	# Fireplaces 0	1.Incomp 4.Delap 7.No Power
1.Concrete 4.Wood 7.	 <p>TRIO Software <i>A Division of Harris Computer Systems</i></p>	2.O-Built 5.Bsmt 8.LongTerm
2.C Block 5.Slab 8.		3.Damage 6.Common 9.None
3.Br/Stone 6.Piers 9.		Econ. % Good 100%
Basement 5 Crawl Space		Economic Code None
1.1/4 Bmt 4.Full Bmt 7.		0.None 3.No Power 7.
2.1/2 Bmt 5.None 8.		1.Location 4.Generate 8.
3.3/4 Bmt 6. 9.None		2.Encroach 9.None 9.
Bsmt Gar # Cars 0		Entrance Code 1 Interior Inspect
Wet Basement 1 Dry Basement		1.Interior 4.Vacant 7.
1.Dry 4. 7.		2.Refusal 5.Estimate 8.
2.Damp 5. 8.	3.Informed 6.Reviewed 9.	
3.Wet 6. 9.	Information Code 2 Relative	
	1.Owner 4.Agent 7.	
	2.Relative 5.Estimate 8.	
	3.Tenant 6.Other 9.	

Date Inspected 11/15/2018

Additions, Outbuildings & Improvements

Type	Year	Units	Grade	Cond	Phys.	Funct.	Sound Value
1 One Story Frame	2011	80	9 100	9	0 %	100 %	
1 One Story Frame	2011	100	2 110	4	0 %	100 %	
68 Wood Deck	2012	588	3 100	4	0 %	100 %	
24 Frame Shed	2012	256	2 110	4	0 %	100 %	
24 Frame Shed	0				%	%	800
77 1S-Ad/Gar	2011	1656	3 90	4	0 %	85 %	
68 Wood Deck	2012	68	3 100	4	0 %	100 %	
					%	%	
					%	%	
					%	%	



Washburn

Map Lot 009-017

Account 891

Location 2059 Washburn Road

Card 1

Of 1

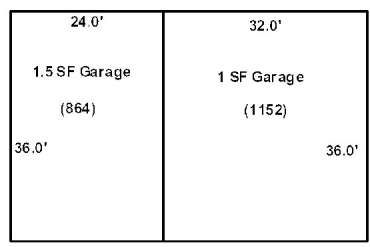
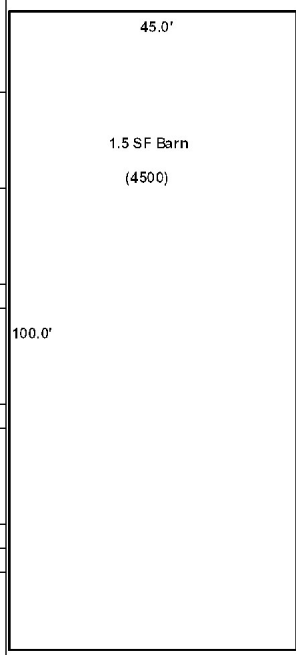
9/04/2024

Building Style	4 Cape Cod		SF Bsmt Living	0		Layout	1 Typical		
1.Conv.	5.Garrison	9.Gambrel	Fin Bsmt Grade	0 0		1.Typical	4.	7.	
2.Ranch	6.Salt Box	10.Other	OPEN 5 OPTIONAL	0		2.Inadeq	5.	8.	
3.R Ranch	7.Contemp	11.Split	Heat Type	100% 1 Hot Water BB		3.Poor	6.	9.	
4.Cape	8.Log	12.	1.HWBB	5.FWA	9.No Heat	Attic	9 None		
Dwelling Units	1		2.HWCI	6.GravWA	10.	1.1/4 Fin	4.Full Fin	7.	
Other Units	0		3.H Pump	7.Electric	11.	2.1/2 Fin	5.FI/Stair	8.	
Stories	4 One & 1/2 Story		4.Steam	8.FI/Wall	12.	3.3/4 Fin	6.	9.None	
1.1	4.1.5	7.	Cool Type	0% 9 None		Insulation	1 Full		
2.2	5.1.75	8.	1.Refrig	4.W&C Air	7.	1.Full	4.Minimal	7.	
3.3	6.2.5	9.	2.Evapor	5.	8.	2.Heavy	5.Partial	8.	
Exterior Walls	2 Vinyl/Aluminum		3.H Pump	6.	9.None	3.Capped	6.	9.None	
1.Wood	5.Stucco	9.T-111	Kitchen Style	2 Typical		Unfinished %	0%		
2.Vin/Al	6.Brick	10.Other	1.Modern	4.Obsolete	7.	Grade & Factor	2 Fair 110%		
3.Compos.	7.Stone	11.	2.Typical	5.	8.	1.E Grade	4.B Grade	7.	
4.Asbestos	8.Concrete	12.	3.Old Type	6.	9.None	2.D Grade	5.A Grade	8.SC Grade	
Roof Surface	1 Asphalt Shingles		Bath(s) Style	2 Typical Bath(s)		3.C Grade	6.AA Grade	9.Same	
1.Asphalt	4.Composit	7.	1.Modern	4.Obsolete	7.	SQFT (Footprint)	704		
2.Slate	5.Wood	8.	2.Typical	5.	8.	Condition	5 Above Average		
3.Metal	6.Other	9.	3.Old Type	6.	9.None	1.Poor	4.Avg	7.V G	
SF Masonry Trim	0		# Rooms	6		2.Fair	5.Avg+	8.Exc	
OPEN-3-CUSTOM	0		# Bedrooms	3		3.Avg-	6.Good	9.Same	
OPEN-4-CUSTOM	0		# Full Baths	1		Phys. % Good	0%		
Year Built	1910		# Half Baths	1		Funct. % Good	100%		
Year Remodeled	0		# Addn Fixtures	0		Functional Code	9 None		
Foundation	3 Brick &/or Stone		# Fireplaces	0		1.Incomp	4.Delap	7.No Power	
1.Concrete	4.Wood	7.	 <p>TRIO Software <i>A Division of Harris Computer Systems</i></p>	2.O-Built	5.Bsmt	8.LongTerm	Economic Code	None	
2.C Block	5.Slab	8.		3.Damage	6.Common	9.None	0.None	3.No Power	7.
3.Br/Stone	6.Piers	9.		Econ. % Good	100%		1.Location	4.Generate	8.
Basement	4 Full Basement			Entrance Code	5 Estimated		2.Encroach	9.None	9.
1.1/4 Bmt	4.Full Bmt	7.		1.Interior	4.Vacant	7.	Information Code	5 Estimate	
2.1/2 Bmt	5.None	8.		2.Refusal	5.Estimate	8.	1.Owner	4.Agent	7.
3.3/4 Bmt	6.	9.None		3.Informed	6.Reviewed	9.	2.Relative	5.Estimate	8.
Bsmt Gar # Cars	0			Information Code	5 Estimate		3.Tenant	6.Other	9.
Wet Basement	3 Wet Basement			1.One Story Fram					
1.Dry	4.	7.		2.Two Story Fram					
2.Damp	5.	8.	3.Three Story Fr						
3.Wet	6.	9.	4.1 & 1/2 Story						

Date Inspected 11/15/2018

Additions, Outbuildings & Improvements

Type	Year	Units	Grade	Cond	Phys.	Funct.	Sound Value
14 1.5 Story/Bsmt	1940	760	2 110	5	0 %	100 %	
21 Open Frame	1940	180	3 90	4	0 %	100 %	
23 Frame Garage	1930	1152	3 90	4	0 %	80 %	
82 1.5 S-Gar	1930	864	3 95	4	0 %	80 %	
115 1.5 Story Barn	1870	4500	3 95	5	0 %	75 %	
					%	%	
					%	%	
					%	%	
					%	%	
					%	%	
					%	%	
					%	%	




Washburn

Map Lot 009-018

Account 115

Location WASHBURN ROAD

Card 1 Of 1 9/04/2024

Building Style 0	SF Bsmt Living 0	Layout 0
1.Conv. 5.Garrison 9.Gambrel	Fin Bsmt Grade 0 0	1.Typical 4. 7.
2.Ranch 6.Salt Box 10.Other	OPEN 5 OPTIONAL 0	2.Inadeq 5. 8.
3.R Ranch 7.Contemp 11.Split	Heat Type 100% 0	3.Poor 6. 9.
4.Cape 8.Log 12.	1.HWBB 5.FWA 9.No Heat	Attic 0
Dwelling Units 0	2.HWCI 6.GravWA 10.	1.1/4 Fin 4.Full Fin 7.
Other Units 0	3.H Pump 7.Electric 11.	2.1/2 Fin 5.F/Stair 8.
Stories 0	4.Steam 8.F/Wall 12.	3.3/4 Fin 6. 9.None
1.1 4.1.5 7.	Cool Type 0% 9 None	Insulation 0
2.2 5.1.75 8.	1.Refrig 4.W&C Air 7.	1.Full 4.Minimal 7.
3.3 6.2.5 9.	2.Evapor 5. 8.	2.Heavy 5.Partial 8.
Exterior Walls 0	3.H Pump 6. 9.None	3.Capped 6. 9.None
1.Wood 5.Stucco 9.T-111	Kitchen Style 0	Unfinished % 0%
2.Vin/Al 6.Brick 10.Other	1.Modern 4.Obsolete 7.	Grade & Factor 0 0%
3.Compos. 7.Stone 11.	2.Typical 5. 8.	1.E Grade 4.B Grade 7.
4.Asbestos 8.Concrete 12.	3.Old Type 6. 9.None	2.D Grade 5.A Grade 8.SC Grade
Roof Surface 0	Bath(s) Style 0	3.C Grade 6.AA Grade 9.Same
1.Asphalt 4.Composit 7.	1.Modern 4.Obsolete 7.	SQFT (Footprint) 0
2.Slate 5.Wood 8.	2.Typical 5. 8.	Condition 0
3.Metal 6.Other 9.	3.Old Type 6. 9.None	1.Poor 4.Avg 7.V G
SF Masonry Trim 0	# Rooms 0	2.Fair 5.Avg+ 8.Exc
OPEN-3-CUSTOM 0	# Bedrooms 0	3.Avg- 6.Good 9.Same
OPEN-4-CUSTOM 0	# Full Baths 0	Phys. % Good 0%
Year Built 0	# Half Baths 0	Funct. % Good 100%
Year Remodeled 0	# Addn Fixtures 0	Functional Code 9 None
Foundation 0	# Fireplaces 0	1.Incomp 4.Delap 7.No Power
1.Concrete 4.Wood 7.		2.O-Built 5.Bsmt 8.LongTerm
2.C Block 5.Slab 8.		3.Damage 6.Common 9.None
3.Br/Stone 6.Piers 9.		Econ. % Good 100%
Basement 0		Economic Code None
1.1/4 Bmt 4.Full Bmt 7.		0.None 3.No Power 7.
2.1/2 Bmt 5.None 8.		1.Location 4.Generate 8.
3.3/4 Bmt 6. 9.None		2.Encroach 9.None 9.
Bsmt Gar # Cars 0		Entrance Code 0
Wet Basement 0		1.Interior 4.Vacant 7.
1.Dry 4. 7.		2.Refusal 5.Estimate 8.
2.Damp 5. 8.	3.Informed 6.Reviewed 9.	
3.Wet 6. 9.	Information Code 0	
	1.Owner 4.Agent 7.	
	2.Relative 5.Estimate 8.	
	3.Tenant 6.Other 9.	

Date Inspected

Additions, Outbuildings & Improvements								
Type	Year	Units	Grade	Cond	Phys.	Funct.	Sound Value	
					%	%		1.One Story Fram
					%	%		2.Two Story Fram
					%	%		3.Three Story Fr
					%	%		4.1 & 1/2 Story
					%	%		5.1 & 3/4 Story
					%	%		6.2 & 1/2 Story
					%	%		21.Open Frame Por
					%	%		22.Encl Frame Por
					%	%		23.Frame Garage
					%	%		24.Frame Shed
					%	%		25.Frame Bay Wind
					%	%		26.1SFr Overhang
					%	%		27.Unfin Basement
					%	%		28.Unfinished Att
					%	%		29.Finished Attic

MELVIN, TINA
 FULLER, CLAY S
 1981 WASHBURN ROAD
 WASHBURN ME 04786
 USA
 B1897P152 B5228P315 B5228P327 B6365P88 B6365P88

Previous Owner
 BOUCHARD, DARRELL A
 BOUCHARD, LORI ANN
 1981 WASHBURN ROAD
 WASHBURN ME 04786
 Sale Date: 8/31/2022

Property Data

Neighborhood	1 Neighborhood One	
Tree Growth Year	0	
1ST MORTGAGE	0	
2ND MORTGAGE	0	

Zone/Land Use	1 Residential	
Secondary Zone		
Topography	2 Rolling	

1.Level	4.Below St	7.LevelBog
2.Rolling	5.Low	8.
3.Above St	6.Swampy	9.

Utilities	4 Drilled Well	6 Septic System
1.Public	4.Dr Well	7.Cesspool
2.Water	5.Dug Well	8.
3.Sewer	6.Septic	9.None

Street	1 Paved	
1.Paved	4.Proposed	7.
2.Semi Imp	5.R/O/W	8.
3.Gravel	6.	9.None

TG PLAN YEAR	0	
Tif District #	0	

Sale Data

Sale Date	8/31/2022	
Price	245,700	
Sale Type	2 Land & Buildings	
1.Land	4.Mobile	7.C/I L&B
2.L & B	5.Other	8.
3.Building	6.C/I Land	9.

Financing	1 Conventional	
1.Convent	4.Seller	7.
2.FHA/VA	5.Private	8.
3.Assumed	6.Cash	9.Unknown

Validity	1 Arms Length Sale	
1.Valid	4.Split	7.Renovate
2.Related	5.Partial	8.Other
3.Distress	6.Exempt	9.

Verified	5 Public Record	
1.Buyer	4.Agent	7.Family
2.Seller	5.Pub Rec	8.Other
3.Lender	6.MLS	9.

Assessment Record

Year	Land	Buildings	Exempt	Total
2012	8,000	80,500	8,800	79,700
2013	10,400	80,500	8,800	82,100
2015	10,400	80,500	9,000	81,900
2018	10,400	80,500	18,400	72,500
2019	18,000	85,400	20,000	83,400
2020	18,000	85,200	25,000	78,200
2021	18,000	85,400	25,000	78,400
2022	18,000	89,700	0	107,700
2023	23,700	106,800	0	130,500
2024	23,700	106,800	25,000	105,500

Land Data

Front Foot	Type	Effective		Influence		Influence Codes
		Frontage	Depth	Factor	Code	
11.Regular Lot				%		1.Unimproved
12.Delta Triangle				%		2.Excess Frtg
13.Nabla Triangle				%		3.Topography
14.Rear Land				%		4.Size/Shape
15.Class I Road				%		5.Access
				%		6.Restriction
				%		7.Open Space
				%		8.View/Environ
				%		9.Fract Share
				%		Acres
				%		30.Utility R O W
				%		31.Tillable
				%		32.Pasture
				%		33.Orchard
				%		34.Softwood F&O
				%		35.Mixed Wood F&O
				%		36.Hardwood F&O
				%		37.Softwood TG
				%		38.Mixed Wood TG
				%		39.Hardwood TG
				%		40.Wasteland
				%		41.Open Space
				%		42.Mobile Home Si
				%		43.Condo Site
				%		44.Lot Improvemen
				%		45.Subdivision Lo
				%		46.Heavy Ind Sit
Total Acreage		4.00				

Inspection Witnessed By:

X	Date
No./Date	Description
	Date Insp.

Notes:
 *2-18-2019 -15% for size obs on garage and -15% for attached garage.

Washburn

Map Lot 009-018A


Account 19

Location 1981 WASHBURN ROAD

Card 1

Of 1

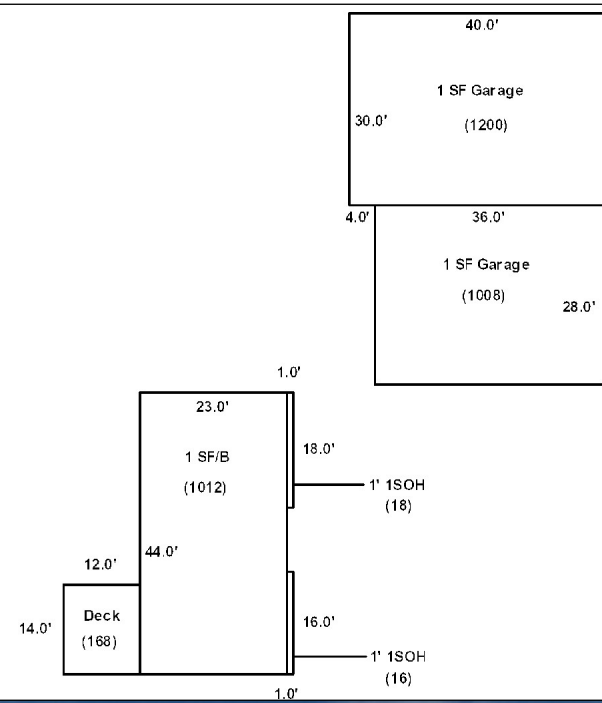
9/04/2024

Building Style	3 Raised Ranch		SF Bsmt Living	506		Layout	1 Typical				
1.Conv.	5.Garrison	9.Gambrel	Fin Bsmt Grade	3 100		1.Typical	4.	7.			
2.Ranch	6.Salt Box	10.Other	OPEN 5 OPTIONAL	0		2.Inadeq	5.	8.			
3.R Ranch	7.Contemp	11.Split	Heat Type	100% 1 Hot Water BB		3.Poor	6.	9.			
4.Cape	8.Log	12.	1.HWBB	5.FWA	9.No Heat	Attic 9 None					
Dwelling Units	1		2.HWCI	6.GravWA	10.	1.1/4 Fin	4.Full Fin	7.			
Other Units	0		3.H Pump	7.Electric	11.	2.1/2 Fin	5.FI/Stair	8.			
Stories	1 One Story		4.Steam	8.FI/Wall	12.	3.3/4 Fin	6.	9.None			
1.1	4.1.5	7.	Cool Type	100% 3 Heat Pump		Insulation 1 Full					
2.2	5.1.75	8.	1.Refrig	4.W&C Air	7.	1.Full	4.Minimal	7.			
3.3	6.2.5	9.	2.Evapor	5.	8.	2.Heavy	5.Partial	8.			
Exterior Walls	2 Vinyl/Aluminum		3.H Pump	6.	9.None	3.Capped	6.	9.None			
1.Wood	5.Stucco	9.T-111	Kitchen Style	2 Typical		Unfinished % 0%					
2.Vin/Al	6.Brick	10.Other	1.Modern	4.Obsolete	7.	Grade & Factor 3 Average 105%					
3.Compos.	7.Stone	11.	2.Typical	5.	8.	1.E Grade	4.B Grade	7.			
4.Asbestos	8.Concrete	12.	3.Old Type	6.	9.None	2.D Grade	5.A Grade	8.SC Grade			
Roof Surface	1 Asphalt Shingles		Bath(s) Style	2 Typical Bath(s)		3.C Grade	6.AA Grade	9.Same			
1.Asphalt	4.Composit	7.	1.Modern	4.Obsolete	7.	SQFT (Footprint) 1012					
2.Slate	5.Wood	8.	2.Typical	5.	8.	Condition 6 Good					
3.Metal	6.Other	9.	3.Old Type	6.	9.None	1.Poor	4.Avg	7.V G			
SF Masonry Trim	0		# Rooms	5		2.Fair	5.Avg+	8.Exc			
OPEN-3-CUSTOM	0		# Bedrooms	3		3.Avg-	6.Good	9.Same			
OPEN-4-CUSTOM	0		# Full Baths	1		Phys. % Good 0%					
Year Built	1955		# Half Baths	0		Funct. % Good 100%					
Year Remodeled	0		# Addn Fixtures	0		Functional Code 9 None					
Foundation	1 Concrete		# Fireplaces	0		1.Incomp	4.Delap	7.No Power			
1.Concrete	4.Wood	7.									
2.C Block	5.Slab	8.							Economic Code None		
3.Br/Stone	6.Piers	9.							0.None	3.No Power	7.
Basement	4 Full Basement								1.Location	4.Generate	8.
1.1/4 Bmt	4.Full Bmt	7.							2.Encroach	9.None	9.
2.1/2 Bmt	5.None	8.							Entrance Code 3 Information Only		
3.3/4 Bmt	6.	9.None							1.Interior	4.Vacant	7.
Bsmt Gar # Cars	0								2.Refusal	5.Estimate	8.
Wet Basement	1 Dry Basement								3.Informed	6.Reviewed	9.
1.Dry	4.	7.							Information Code 1 Owner		
2.Damp	5.	8.	1.Owner	4.Agent	7.						
3.Wet	6.	9.	2.Relative	5.Estimate	8.						
			3.Tenant	6.Other	9.						

Date Inspected 11/15/2018

Additions, Outbuildings & Improvements

Type	Year	Units	Grade	Cond	Phys.	Funct.	Sound Value
68 Wood Deck	2000	168	3 100	4	0 %	100 %	
26 1SFr Overhang	1976	18	9 100	9	0 %	100 %	
26 1SFr Overhang	1976	16	9 100	9	0 %	100 %	
23 Frame Garage	1998	1008	3 105	4	0 %	100 %	
23 Frame Garage	2012	1200	3 100	4	0 %	70 %	
					%	%	
					%	%	
					%	%	
					%	%	
					%	%	
					%	%	
					%	%	



Washburn

Map Lot 009-020

Account 538

Location Caribou Lake Road

Card 1 Of 1 9/04/2024

Building Style 0	SF Bsmt Living 0	Layout 0
1.Conv. 5.Garrison 9.Gambrel	Fin Bsmt Grade 0 0	1.Typical 4. 7.
2.Ranch 6.Salt Box 10.Other	OPEN 5 OPTIONAL 0	2.Inadeq 5. 8.
3.R Ranch 7.Contemp 11.Split	Heat Type 100% 0	3.Poor 6. 9.
4.Cape 8.Log 12.	1.HWBB 5.FWA 9.No Heat	Attic 0
Dwelling Units 0	2.HWCI 6.GravWA 10.	1.1/4 Fin 4.Full Fin 7.
Other Units 0	3.H Pump 7.Electric 11.	2.1/2 Fin 5.FI/Stair 8.
Stories 0	4.Steam 8.FI/Wall 12.	3.3/4 Fin 6. 9.None
1.1 4.1.5 7.	Cool Type 0% 9 None	Insulation 0
2.2 5.1.75 8.	1.Refrig 4.W&C Air 7.	1.Full 4.Minimal 7.
3.3 6.2.5 9.	2.Evapor 5. 8.	2.Heavy 5.Partial 8.
Exterior Walls 0	3.H Pump 6. 9.None	3.Capped 6. 9.None
1.Wood 5.Stucco 9.T-111	Kitchen Style 0	Unfinished % 0%
2.Vin/Al 6.Brick 10.Other	1.Modern 4.Obsolete 7.	Grade & Factor 0 0%
3.Compos. 7.Stone 11.	2.Typical 5. 8.	1.E Grade 4.B Grade 7.
4.Asbestos 8.Concrete 12.	3.Old Type 6. 9.None	2.D Grade 5.A Grade 8.SC Grade
Roof Surface 0	Bath(s) Style 0	3.C Grade 6.AA Grade 9.Same
1.Asphalt 4.Composit 7.	1.Modern 4.Obsolete 7.	SQFT (Footprint) 0
2.Slate 5.Wood 8.	2.Typical 5. 8.	Condition 0
3.Metal 6.Other 9.	3.Old Type 6. 9.None	1.Poor 4.Avg 7.V G
SF Masonry Trim 0	# Rooms 0	2.Fair 5.Avg+ 8.Exc
OPEN-3-CUSTOM 0	# Bedrooms 0	3.Avg- 6.Good 9.Same
OPEN-4-CUSTOM 0	# Full Baths 0	Phys. % Good 0%
Year Built 0	# Half Baths 0	Funct. % Good 100%
Year Remodeled 0	# Addn Fixtures 0	Functional Code 9 None
Foundation 0	# Fireplaces 0	1.Incomp 4.Delap 7.No Power
1.Concrete 4.Wood 7.		2.O-Built 5.Bsmt 8.LongTerm
2.C Block 5.Slab 8.		3.Damage 6.Common 9.None
3.Br/Stone 6.Piers 9.		Econ. % Good 100%
Basement 0		Economic Code None
1.1/4 Bmt 4.Full Bmt 7.		0.None 3.No Power 7.
2.1/2 Bmt 5.None 8.		1.Location 4.Generate 8.
3.3/4 Bmt 6. 9.None		2.Encroach 9.None 9.
Bsmt Gar # Cars 0		Entrance Code 0
Wet Basement 0		1.Interior 4.Vacant 7.
1.Dry 4. 7.		2.Refusal 5.Estimate 8.
2.Damp 5. 8.	3.Informed 6.Reviewed 9.	
3.Wet 6. 9.	Information Code 0	
		1.Owner 4.Agent 7.
		2.Relative 5.Estimate 8.
		3.Tenant 6.Other 9.

Date Inspected

Additions, Outbuildings & Improvements								
Type	Year	Units	Grade	Cond	Phys.	Funct.	Sound Value	
					%	%		1.One Story Fram
					%	%		2.Two Story Fram
					%	%		3.Three Story Fr
					%	%		4.1 & 1/2 Story
					%	%		5.1 & 3/4 Story
					%	%		6.2 & 1/2 Story
					%	%		21.Open Frame Por
					%	%		22.Encl Frame Por
					%	%		23.Frame Garage
					%	%		24.Frame Shed
					%	%		25.Frame Bay Wind
					%	%		26.1SFr Overhang
					%	%		27.Unfin Basement
					%	%		28.Unfinished Att
					%	%		29.Finished Attic

Washburn

Map Lot 009-021


Account 868

Location 2339 Washburn Road

Card 1

Of 1

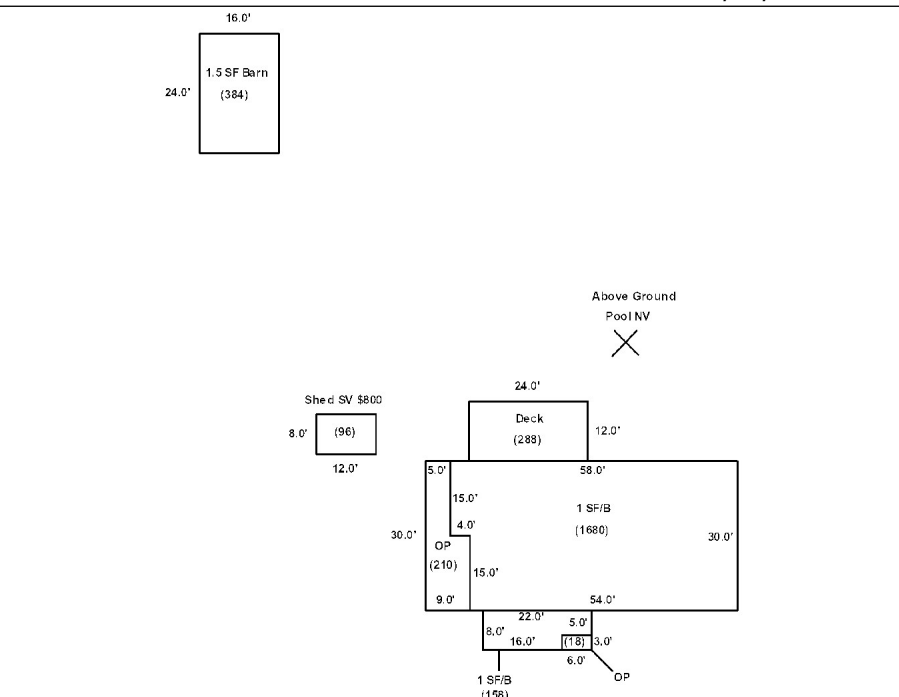
9/04/2024

Building Style 2 Ranch	SF Bsmt Living 0	Layout 1 Typical
1.Conv. 5.Garrison 9.Gambrel	Fin Bsmt Grade 0 0	1.Typical 4. 7.
2.Ranch 6.Salt Box 10.Other	OPEN 5 OPTIONAL 0	2.Inadeq 5. 8.
3.R Ranch 7.Contemp 11.Split	Heat Type 100% 1 Hot Water BB	3.Pool 6. 9.
4.Cape 8.Log 12.	1.HWBB 5.FWA 9.No Heat	Attic 9 None
Dwelling Units 1	2.HWCI 6.GravWA 10.	1.1/4 Fin 4.Full Fin 7.
Other Units 0	3.H Pump 7.Electric 11.	2.1/2 Fin 5.FI/Stair 8.
Stories 1 One Story	4.Steam 8.FI/Wall 12.	3.3/4 Fin 6. 9.None
1.1 4.1.5 7.	Cool Type 0% 9 None	Insulation 1 Full
2.2 5.1.75 8.	1.Refrig 4.W&C Air 7.	1.Full 4.Minimal 7.
3.3 6.2.5 9.	2.Evapor 5. 8.	2.Heavy 5.Partial 8.
Exterior Walls 4 Asbestos Siding	3.H Pump 6. 9.None	3.Capped 6. 9.None
1.Wood 5.Stucco 9.T-111	Kitchen Style 2 Typical	Unfinished % 0%
2.Vin/Al 6.Brick 10.Other	1.Modern 4.Obsolete 7.	Grade & Factor 3 Average 105%
3.Compos. 7.Stone 11.	2.Typical 5. 8.	1.E Grade 4.B Grade 7.
4.Asbestos 8.Concrete 12.	3.Old Type 6. 9.None	2.D Grade 5.A Grade 8.SC Grade
Roof Surface 3 Sheet Metal	Bath(s) Style 2 Typical Bath(s)	3.C Grade 6.AA Grade 9.Same
1.Asphalt 4.Composit 7.	1.Modern 4.Obsolete 7.	SQFT (Footprint) 1680
2.Slate 5.Wood 8.	2.Typical 5. 8.	Condition 5 Above Average
3.Metal 6.Other 9.	3.Old Type 6. 9.None	1.Poor 4.Avg 7.V G
SF Masonry Trim 0	# Rooms 5	2.Fair 5.Avg+ 8.Exc
OPEN-3-CUSTOM 0	# Bedrooms 2	3.Avg- 6.Good 9.Same
OPEN-4-CUSTOM 0	# Full Baths 1	Phys. % Good 0%
Year Built 1979	# Half Baths 1	Funct. % Good 100%
Year Remodeled 0	# Addn Fixtures 0	Functional Code 9 None
Foundation 1 Concrete	# Fireplaces 0	1.Incomp 4.Delap 7.No Power
1.Concrete 4.Wood 7.	 <p>TRIO Software <i>A Division of Harris Computer Systems</i></p>	2.O-Built 5.Bsmt 8.LongTerm
2.C Block 5.Slab 8.		3.Damage 6.Common 9.None
3.Br/Stone 6.Piers 9.		Econ. % Good 100%
Basement 4 Full Basement		Economic Code None
1.1/4 Bmt 4.Full Bmt 7.		0.None 3.No Power 7.
2.1/2 Bmt 5.None 8.		1.Location 4.Generate 8.
3.3/4 Bmt 6. 9.None		2.Encroach 9.None 9.
Bsmt Gar # Cars 0		Entrance Code 3 Information Only
Wet Basement 2 Damp Basement		1.Interior 4.Vacant 7.
1.Dry 4. 7.		2.Refusal 5.Estimate 8.
2.Damp 5. 8.	3.Informed 6.Reviewed 9.	
3.Wet 6. 9.	Information Code 1 Owner	
	1.Owner 4.Agent 7.	
	2.Relative 5.Estimate 8.	
	3.Tenant 6.Other 9.	

Date Inspected 11/15/2018

Additions, Outbuildings & Improvements

Type	Year	Units	Grade	Cond	Phys.	Funct.	Sound Value
21 Open Frame	1985	210	3 90	4	0 %	100 %	
20 1 Story/Bsmt	1980	158	9 100	9	0 %	100 %	
21 Open Frame	1980	18	3 95	4	0 %	100 %	
68 Wood Deck	2000	288	3 100	4	0 %	100 %	
24 Frame Shed	0				%	%	800
115 1.5 Story Barn	1965	384	2 110	4	0 %	100 %	
					%	%	
					%	%	
					%	%	
					%	%	
					%	%	



Washburn

Map Lot 009-022

Account 1110

Location CARIBOU LAKE ROAD

Card 1 Of 1 9/04/2024

Building Style 0	SF Bsmt Living 0	Layout 0
1.Conv. 5.Garrison 9.Gambrel	Fin Bsmt Grade 0 0	1.Typical 4. 7.
2.Ranch 6.Salt Box 10.Other	OPEN 5 OPTIONAL 0	2.Inadeq 5. 8.
3.R Ranch 7.Contemp 11.Split	Heat Type 100% 0	3.Poor 6. 9.
4.Cape 8.Log 12.	1.HWBB 5.FWA 9.No Heat	Attic 0
Dwelling Units 0	2.HWCI 6.GravWA 10.	1.1/4 Fin 4.Full Fin 7.
Other Units 0	3.H Pump 7.Electric 11.	2.1/2 Fin 5.FI/Stair 8.
Stories 0	4.Steam 8.FI/Wall 12.	3.3/4 Fin 6. 9.None
1.1 4.1.5 7.	Cool Type 0% 9 None	Insulation 0
2.2 5.1.75 8.	1.Refrig 4.W&C Air 7.	1.Full 4.Minimal 7.
3.3 6.2.5 9.	2.Evapor 5. 8.	2.Heavy 5.Partial 8.
Exterior Walls 0	3.H Pump 6. 9.None	3.Capped 6. 9.None
1.Wood 5.Stucco 9.T-111	Kitchen Style 0	Unfinished % 0%
2.Vin/Al 6.Brick 10.Other	1.Modern 4.Obsolete 7.	Grade & Factor 0 0%
3.Compos. 7.Stone 11.	2.Typical 5. 8.	1.E Grade 4.B Grade 7.
4.Asbestos 8.Concrete 12.	3.Old Type 6. 9.None	2.D Grade 5.A Grade 8.SC Grade
Roof Surface 0	Bath(s) Style 0	3.C Grade 6.AA Grade 9.Same
1.Asphalt 4.Composit 7.	1.Modern 4.Obsolete 7.	SQFT (Footprint) 0
2.Slate 5.Wood 8.	2.Typical 5. 8.	Condition 0
3.Metal 6.Other 9.	3.Old Type 6. 9.None	1.Poor 4.Avg 7.V G
SF Masonry Trim 0	# Rooms 0	2.Fair 5.Avg+ 8.Exc
OPEN-3-CUSTOM 0	# Bedrooms 0	3.Avg- 6.Good 9.Same
OPEN-4-CUSTOM 0	# Full Baths 0	Phys. % Good 0%
Year Built 0	# Half Baths 0	Funct. % Good 100%
Year Remodeled 0	# Addn Fixtures 0	Functional Code 9 None
Foundation 0	# Fireplaces 0	1.Incomp 4.Delap 7.No Power
1.Concrete 4.Wood 7.		2.O-Built 5.Bsmt 8.LongTerm
2.C Block 5.Slab 8.		3.Damage 6.Common 9.None
3.Br/Stone 6.Piers 9.		Econ. % Good 100%
Basement 0		Economic Code None
1.1/4 Bmt 4.Full Bmt 7.		0.None 3.No Power 7.
2.1/2 Bmt 5.None 8.		1.Location 4.Generate 8.
3.3/4 Bmt 6. 9.None		2.Encroach 9.None 9.
Bsmt Gar # Cars 0		Entrance Code 0
Wet Basement 0		1.Interior 4.Vacant 7.
1.Dry 4. 7.		2.Refusal 5.Estimate 8.
2.Damp 5. 8.	3.Informed 6.Reviewed 9.	
3.Wet 6. 9.	Information Code 0	
	1.Owner 4.Agent 7.	
	2.Relative 5.Estimate 8.	
	3.Tenant 6.Other 9.	

Date Inspected

Additions, Outbuildings & Improvements

Type	Year	Units	Grade	Cond	Phys.	Funct.	Sound Value
					%	%	1.One Story Fram
					%	%	2.Two Story Fram
					%	%	3.Three Story Fr
					%	%	4.1 & 1/2 Story
					%	%	5.1 & 3/4 Story
					%	%	6.2 & 1/2 Story
					%	%	21.Open Frame Por
					%	%	22.Encl Frame Por
					%	%	23.Frame Garage
					%	%	24.Frame Shed
					%	%	25.Frame Bay Wind
					%	%	26.1SFr Overhang
					%	%	27.Unfin Basement
					%	%	28.Unfinished Att
					%	%	29.Finished Attic